



# DEFENDER D90 PICKUP TRUCK - TWO DOOR

1/10 SCALE HARD BODY



## DEFENDER D90 PICKUP TRUCK - TWO DOOR

1/10 SCALE HARD BODY

INSTRUCTION MANUAL

TRC/302224

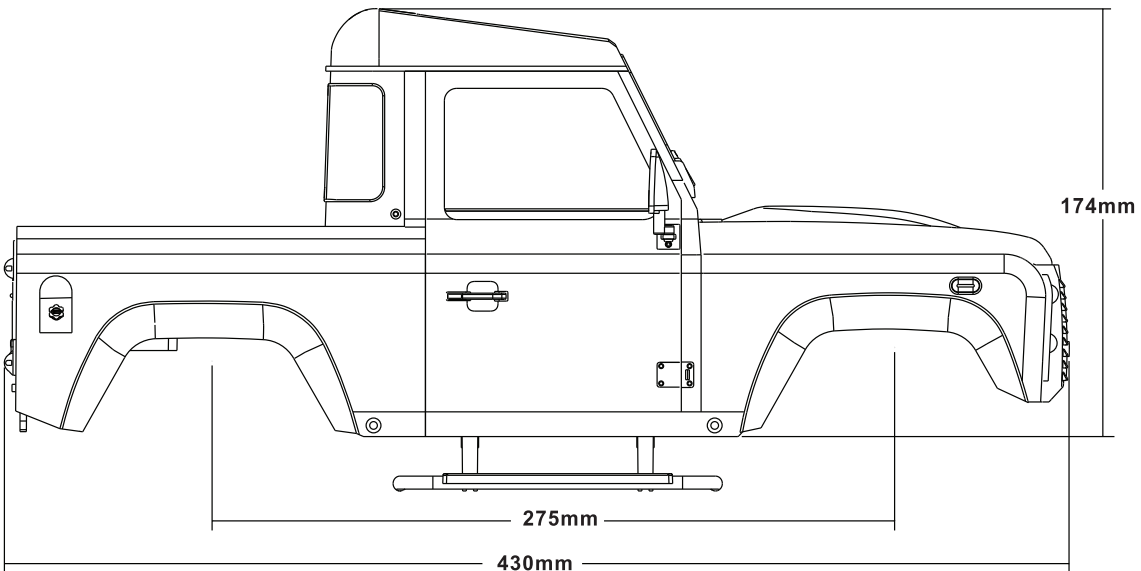
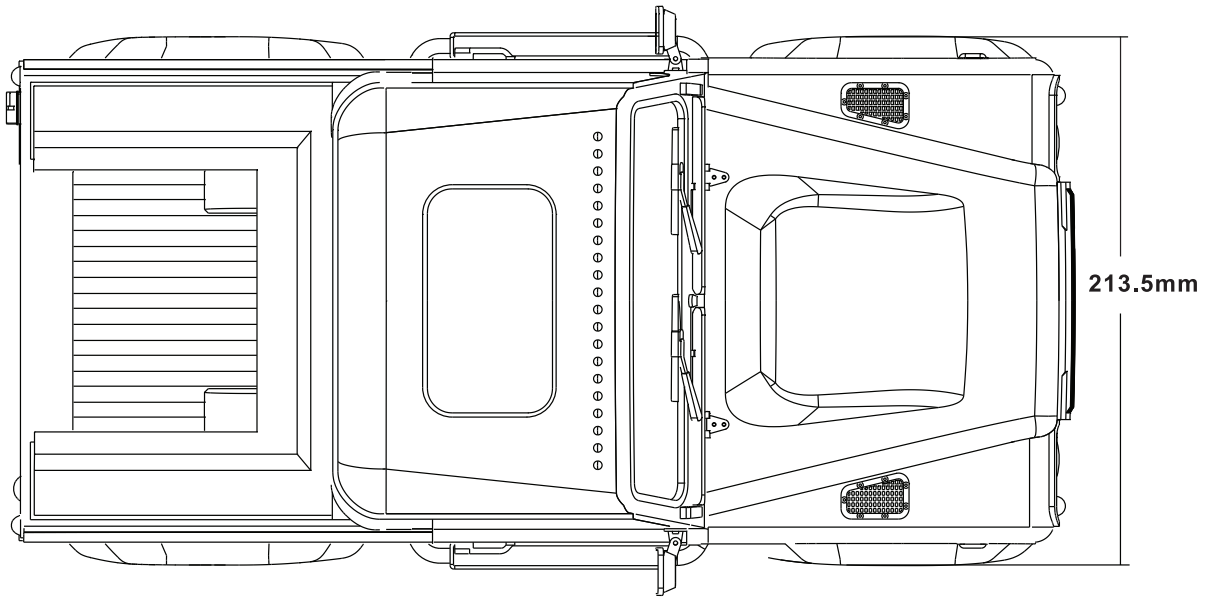
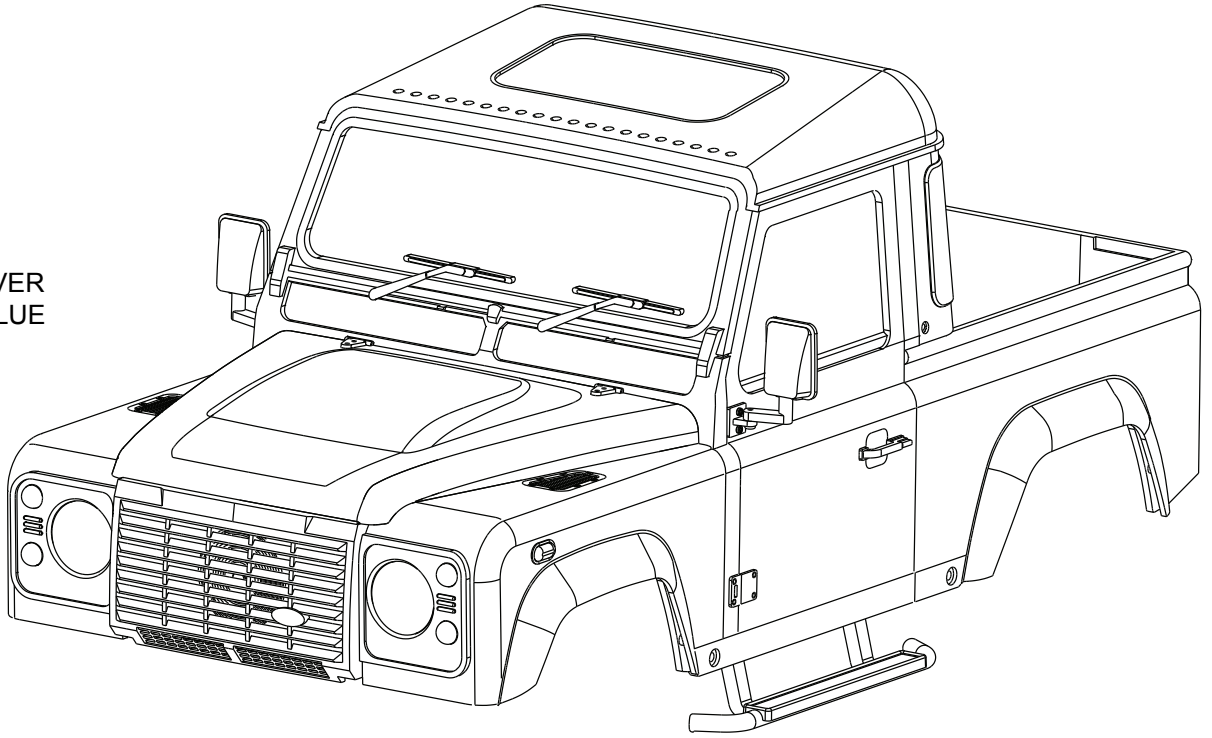


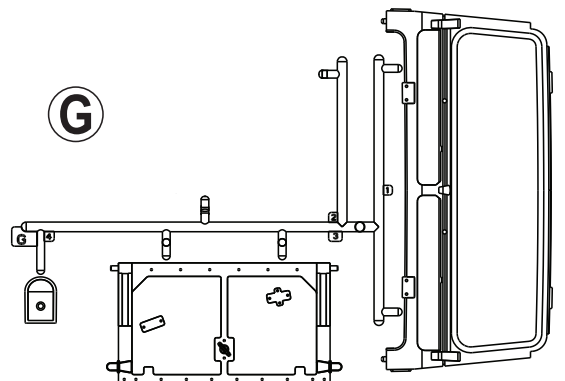
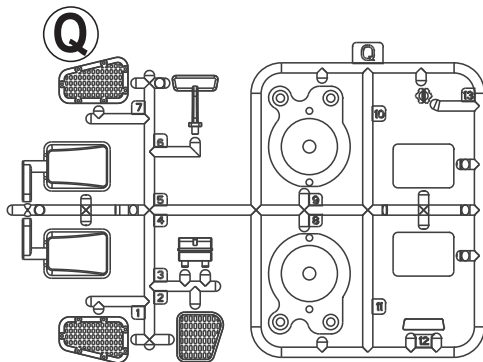
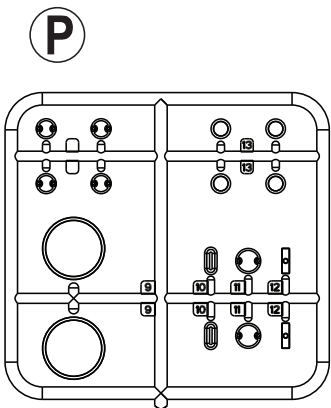
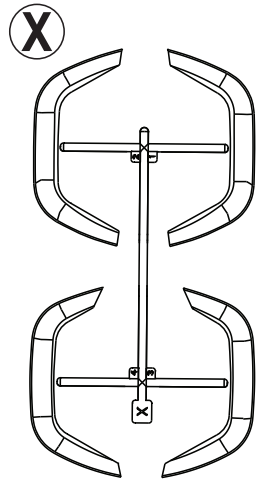
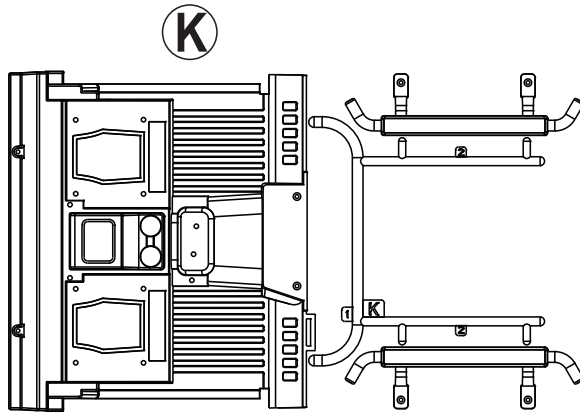
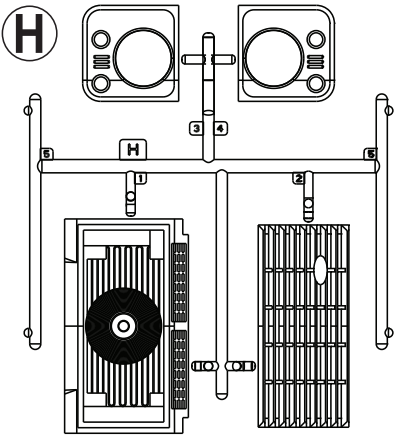
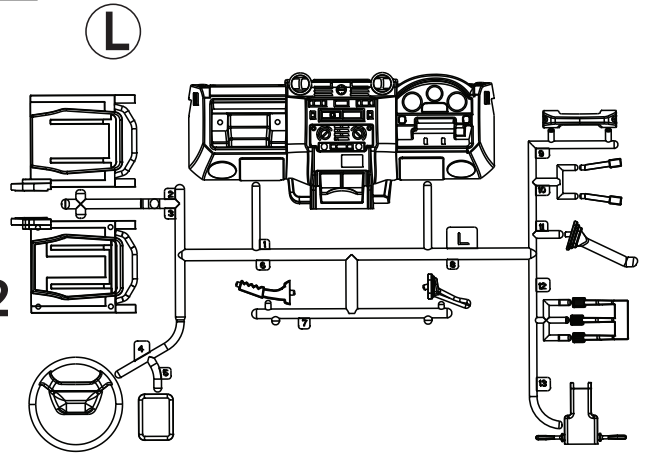
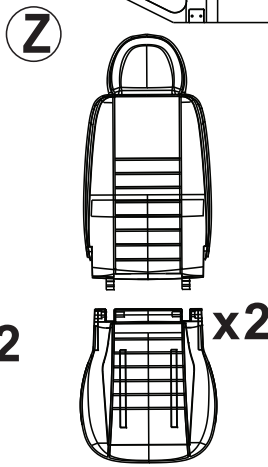
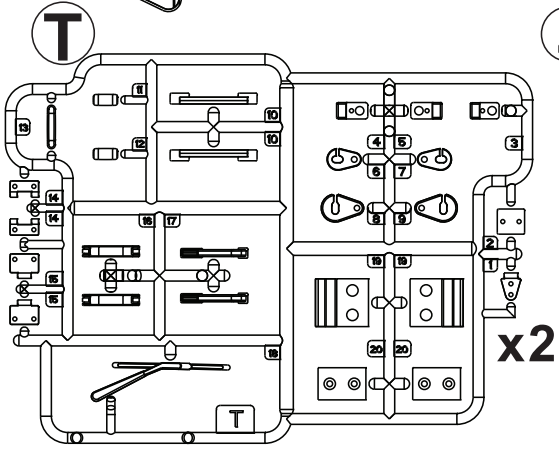
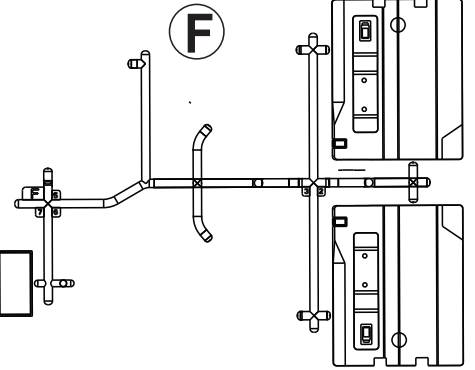
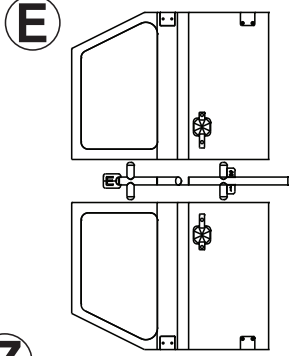
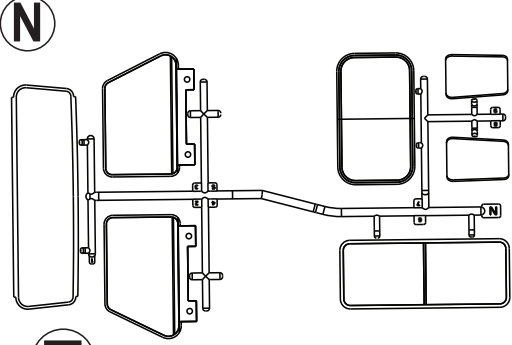
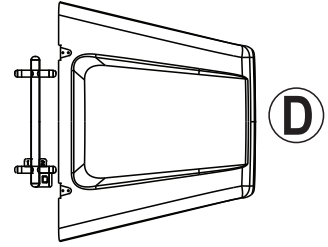
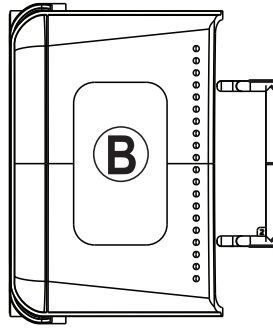
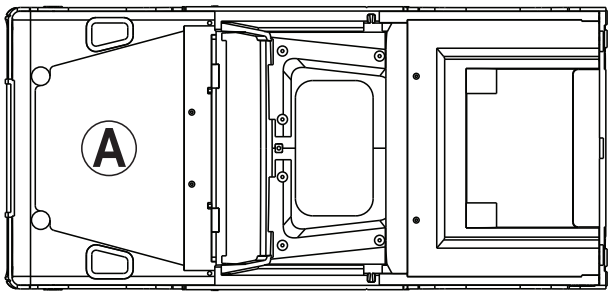
# DEFENDER D90 PICKUP TRUCK - TWO DOOR




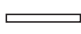

## TOOLS REQUIRED

- BODY REAMER
- SIDE CUTTERS
- MODELING KNIFE
- PHILLIPS SCREWDRIVER
- PLASTIC CEMENT / GLUE
- MASKING TAPE
- PRIMER / PAINT
- SAND PAPER

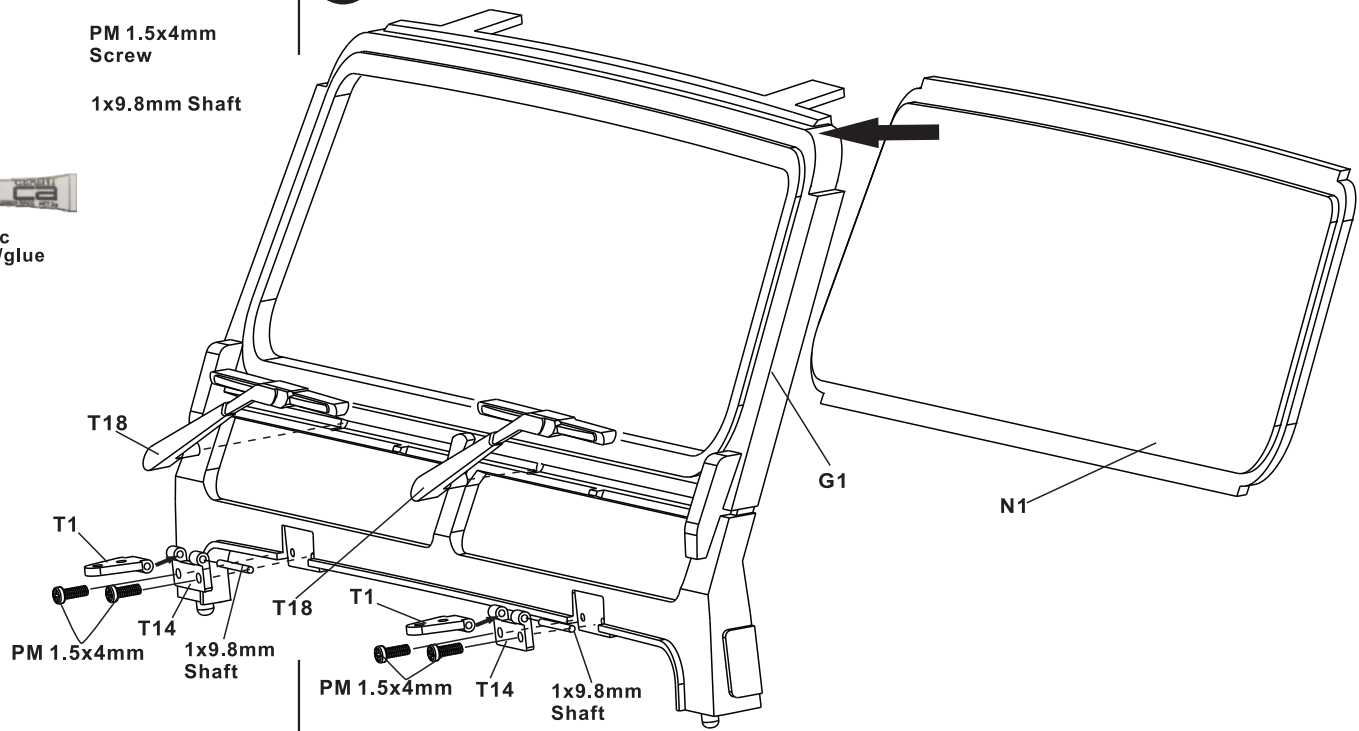






**1**

-  PM 1.5x4mm Screw x4
-  1x9.8mm Shaft x2
-  Plastic cement/glue

**1**

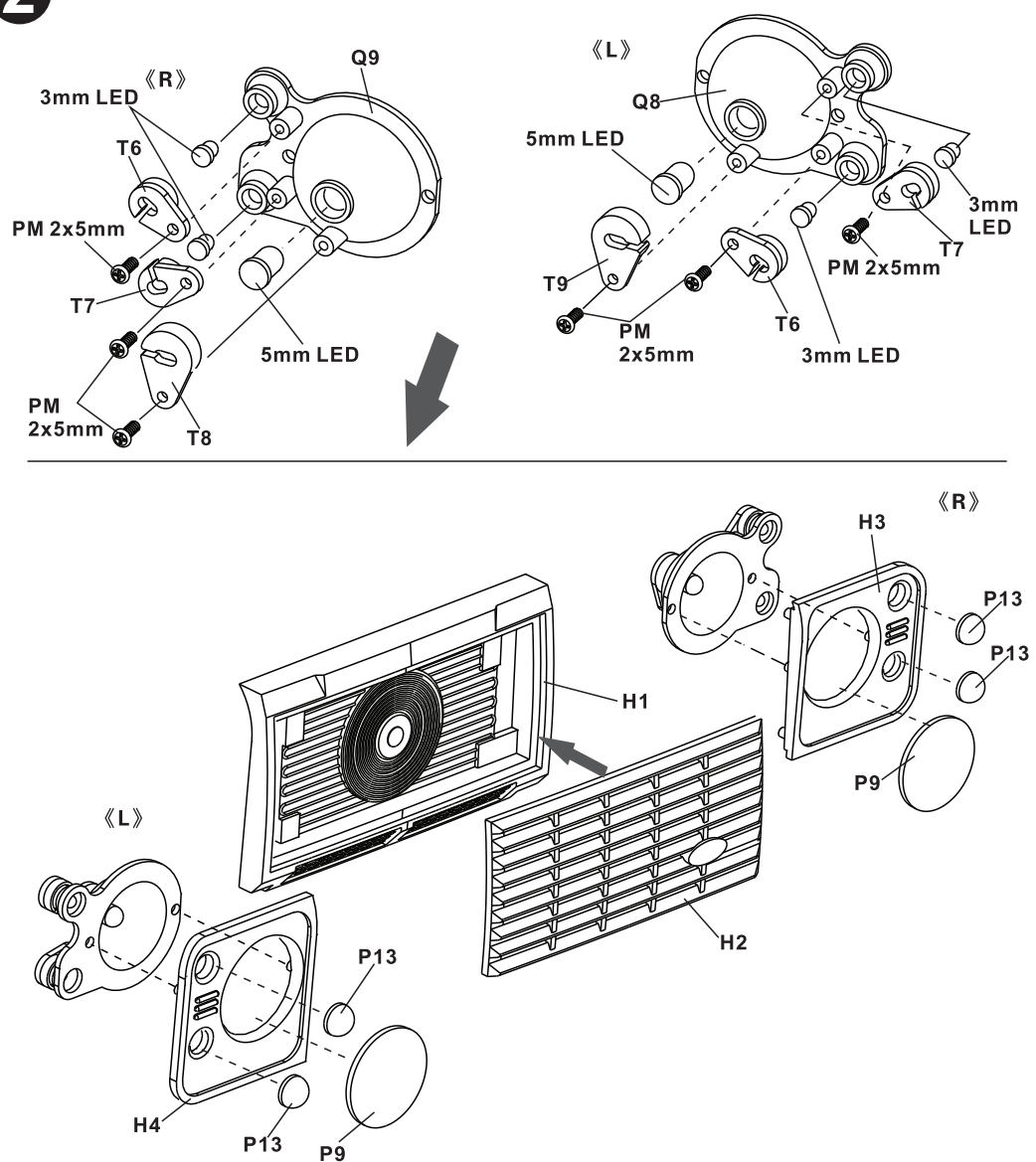


**2**

-  PM 2x5mm Screw x6
-  Plastic cement/glue

**LED Not Included**

**2**



**3**

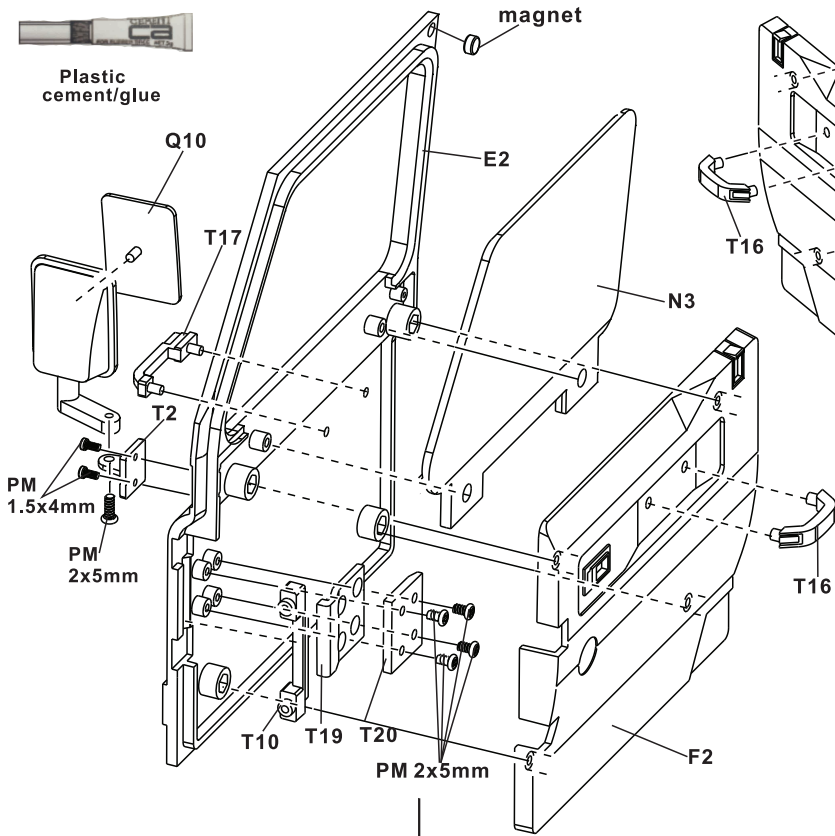
PM 1.5x4mm Screw x4

PM 2x5mm Screw x10

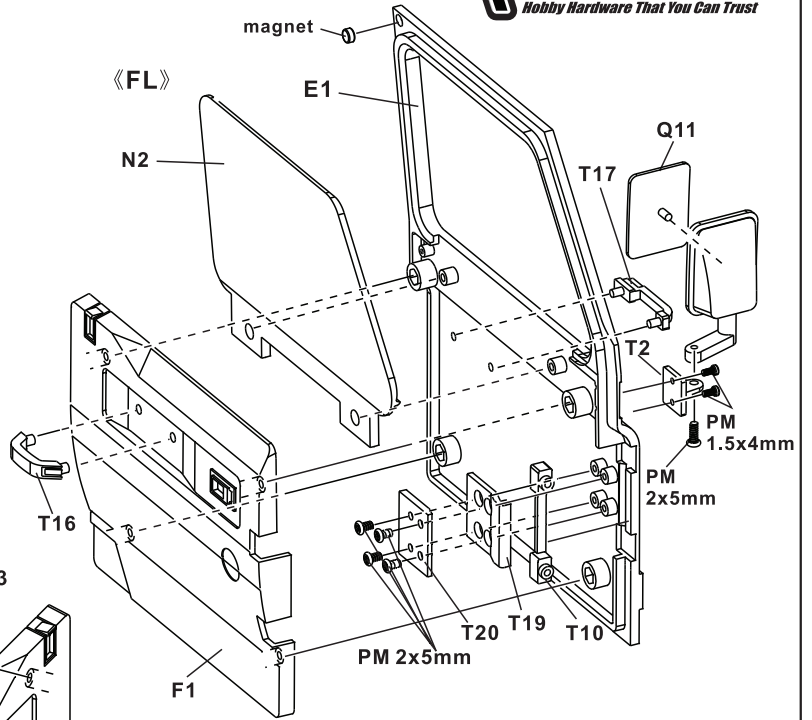
Ø3x1.5 magnet x2



Plastic cement/glue



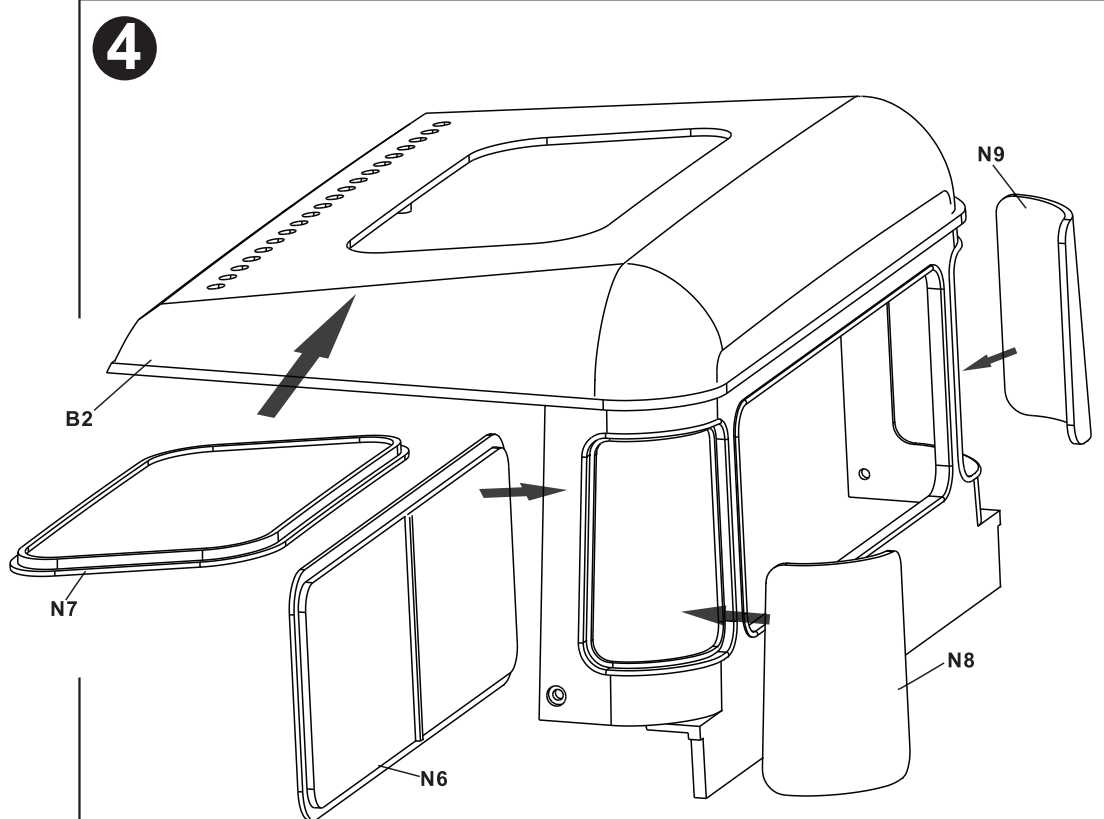
**3**



**4**

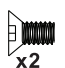
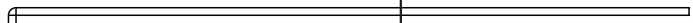


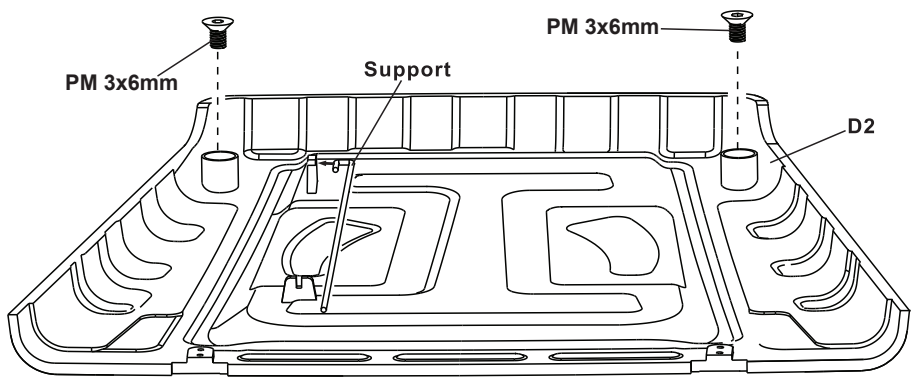
Plastic cement/glue



5




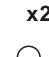

5

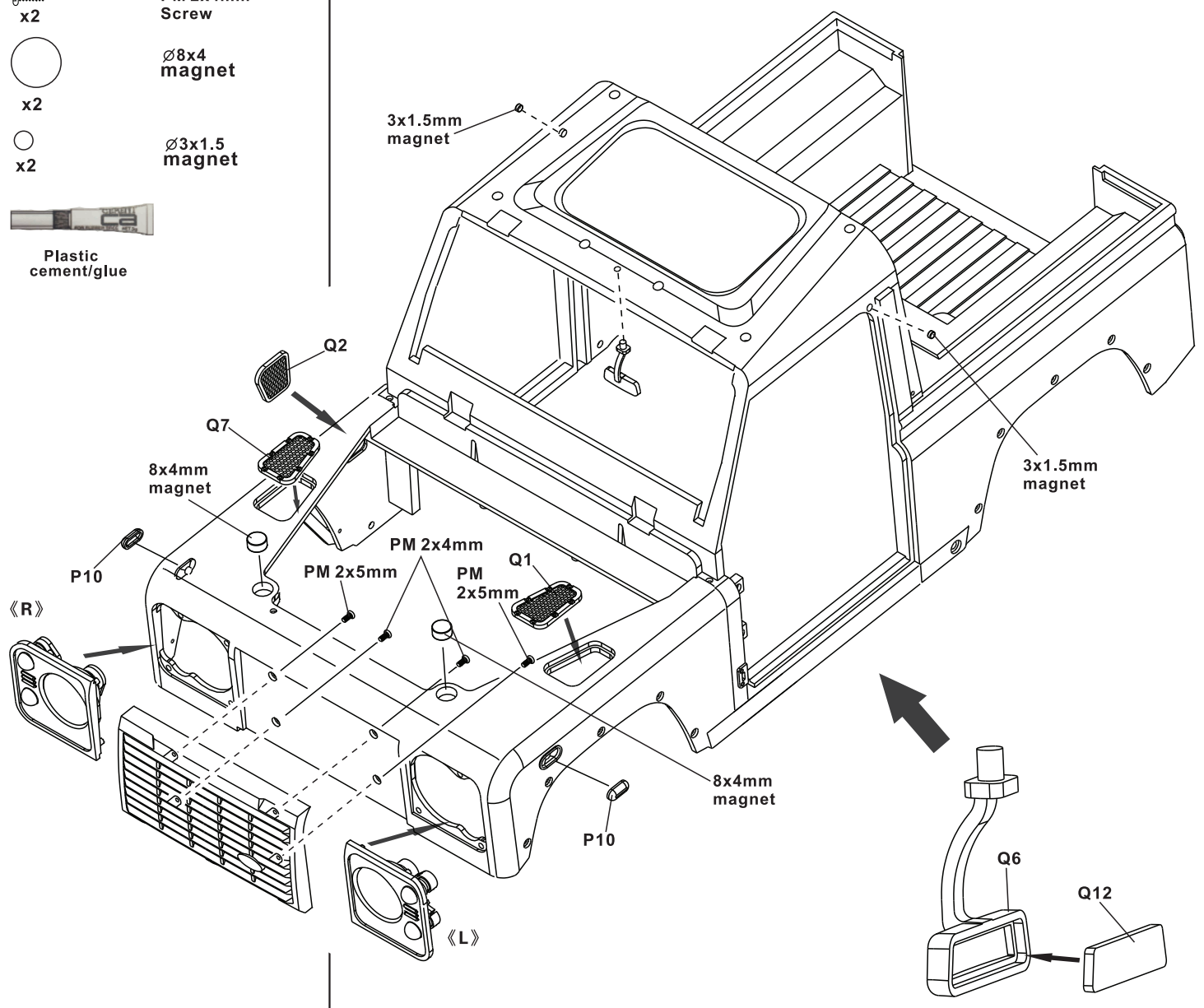
-  PM 3x6mm Screw x2
-  Support x1



6

6

-  PM 2x5mm Screw x2
-  PM 2x4mm Screw x2
-  Ø8x4 magnet x2
-  Ø3x1.5 magnet x2
-  Plastic cement/glue





**7**



PM 2x5mm  
Screw

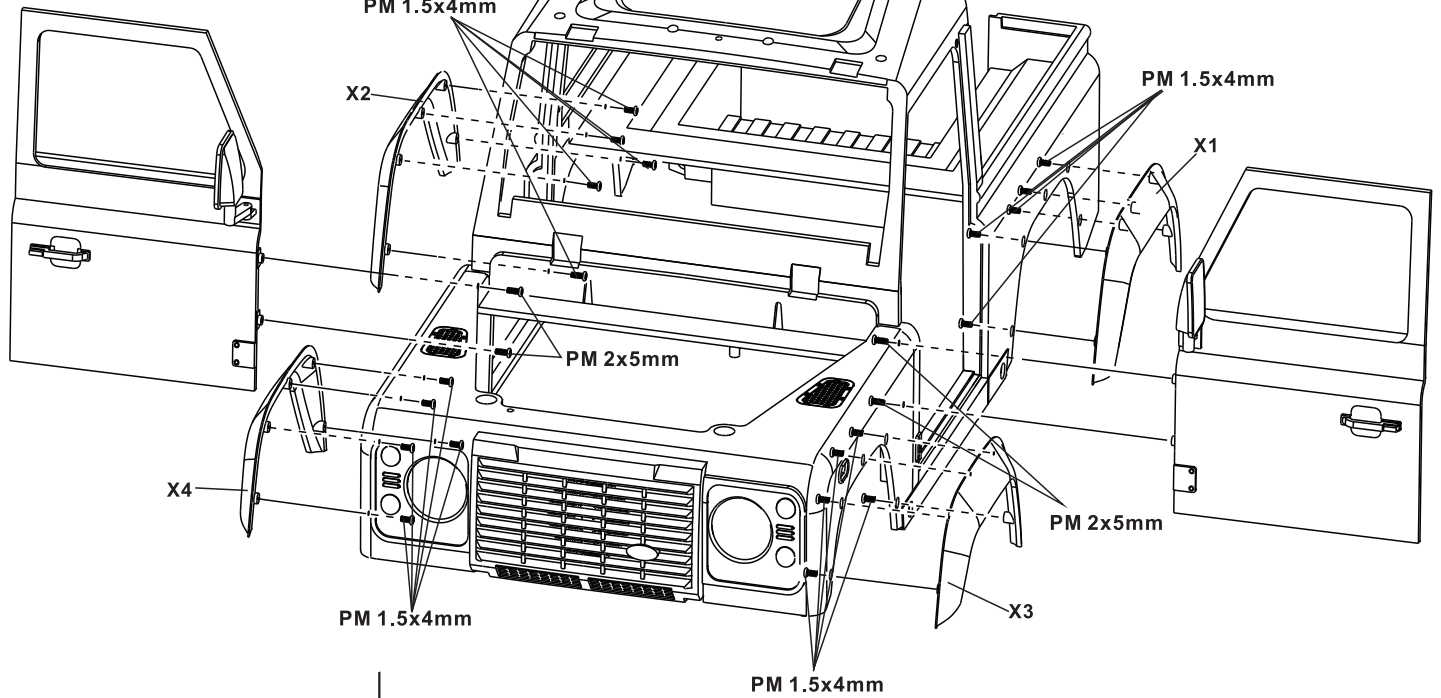
x4



PM 1.5x4mm  
Screw

x20

**7**



**8**



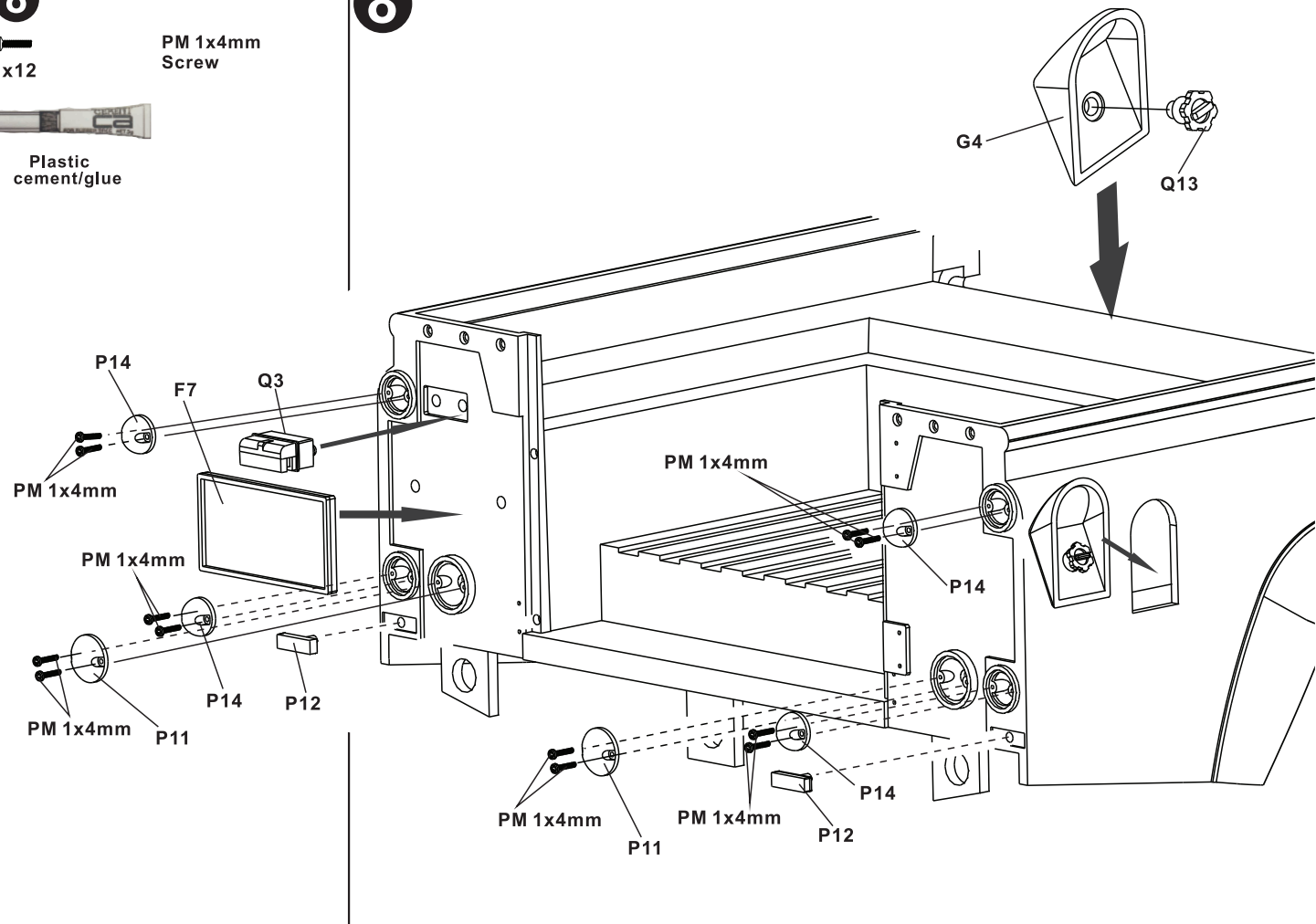
PM 1x4mm  
Screw

x12



Plastic  
cement/glue

**8**



9

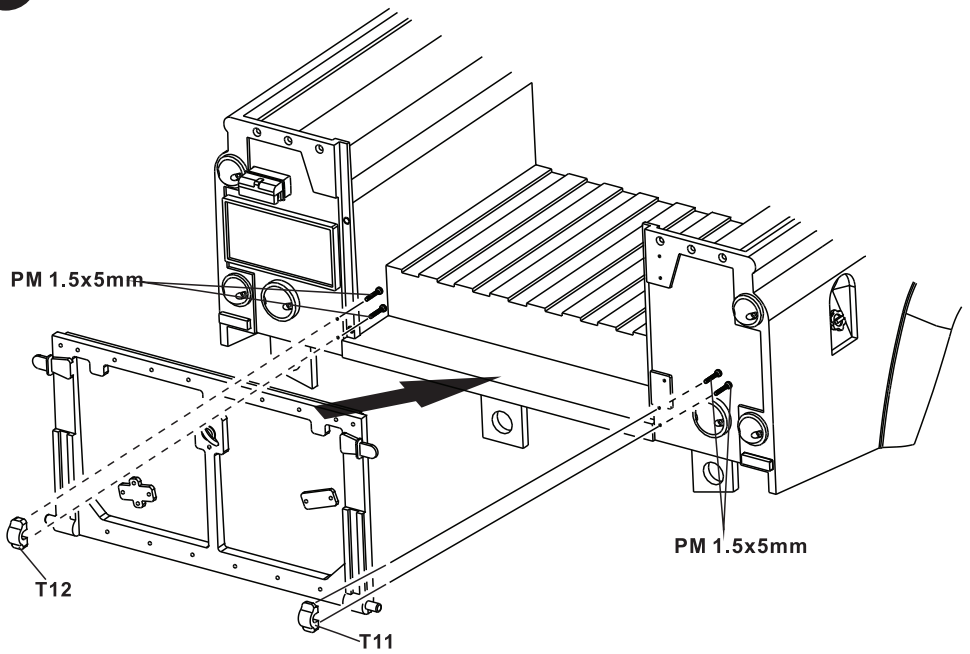
x4

PM 1.5x5mm  
Screw



Plastic  
cement/glue

9



10

x2

PM 1.5x4mm  
Screw

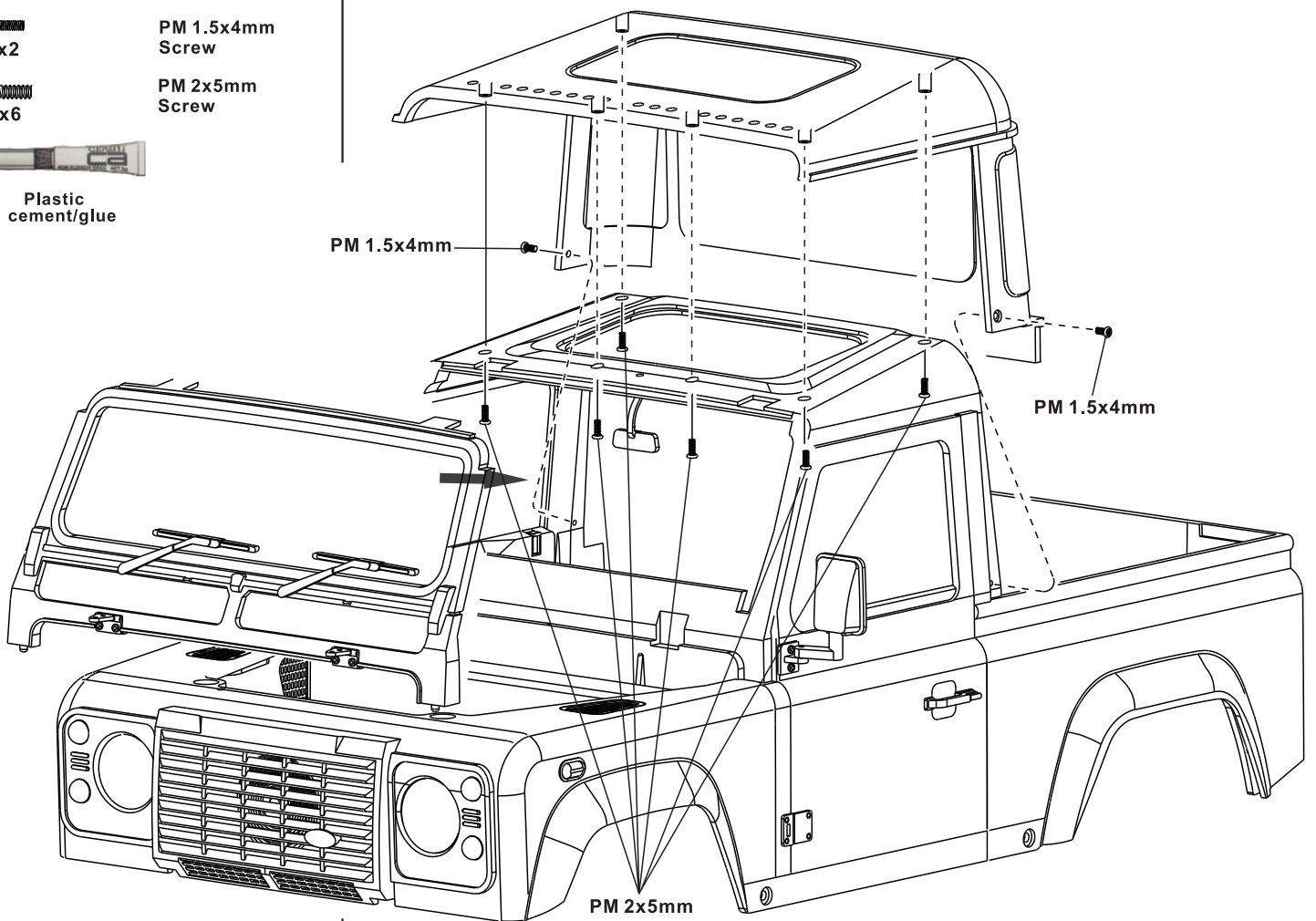
x6

PM 2x5mm  
Screw



Plastic  
cement/glue

10





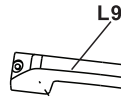
**11**

PM 2x6mm  
Screw  
x2

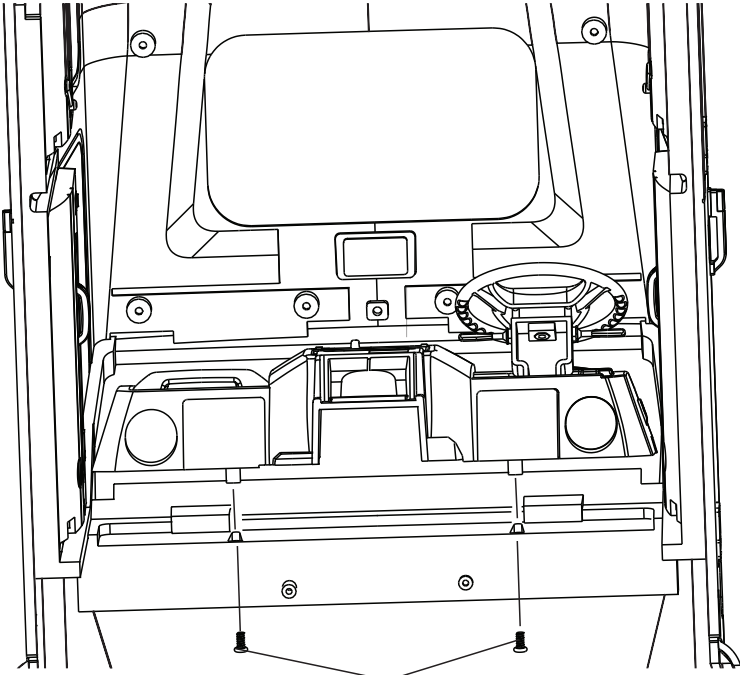
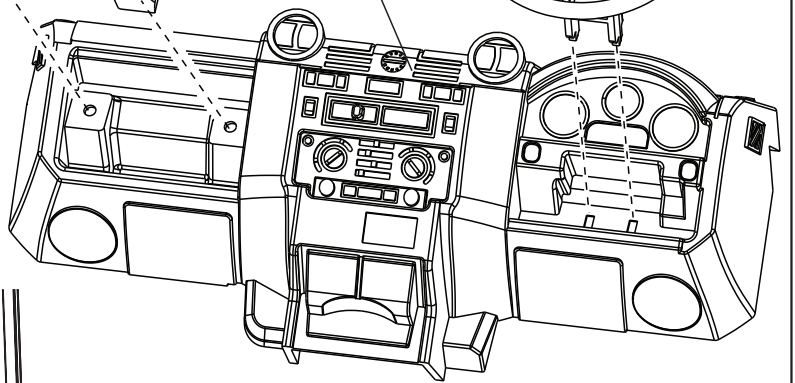


Plastic  
cement/glue

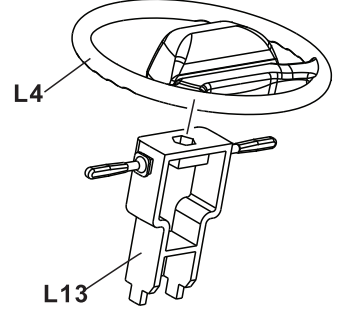
**11**



L1



PM 2x6mm



L4

L13

**12**

PM 1.5x4mm  
Screw  
x4

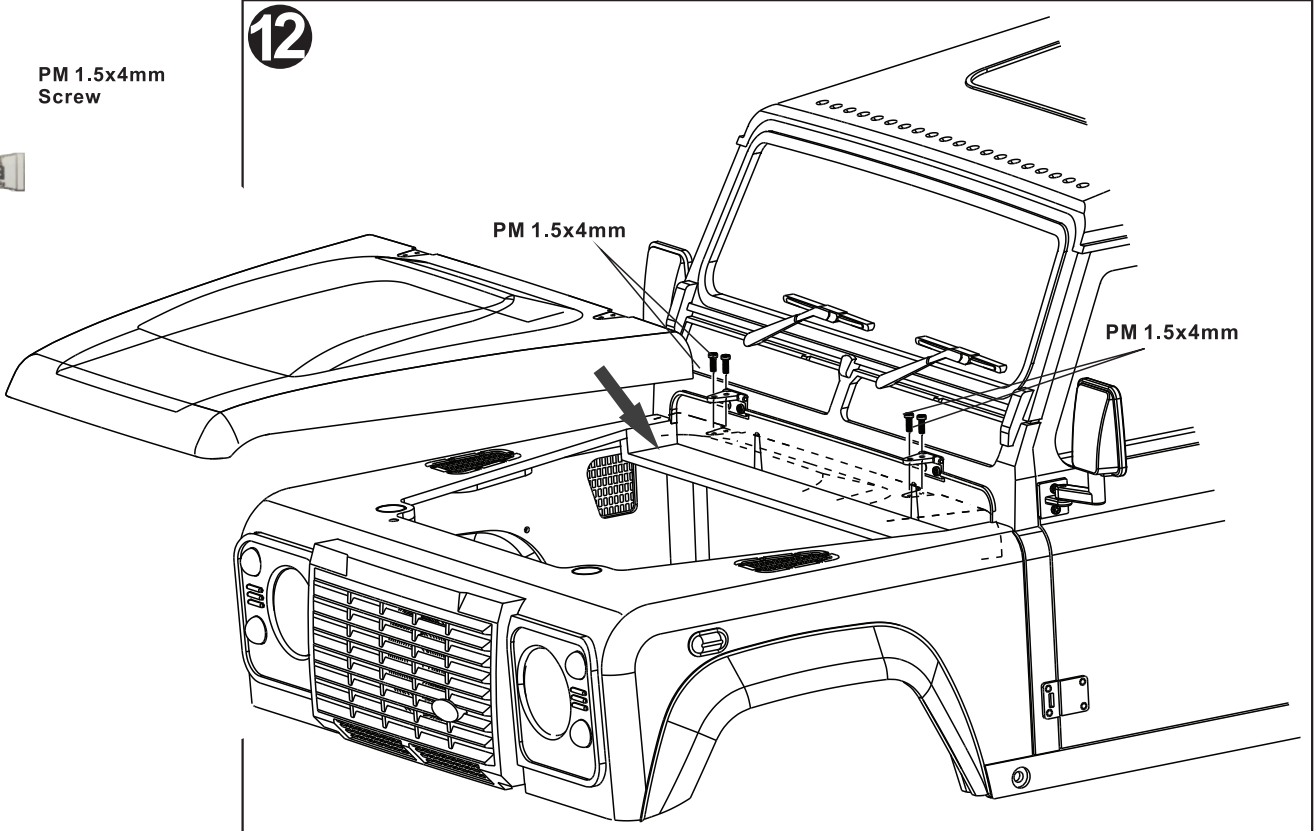


Plastic  
cement/glue

**12**

PM 1.5x4mm

PM 1.5x4mm

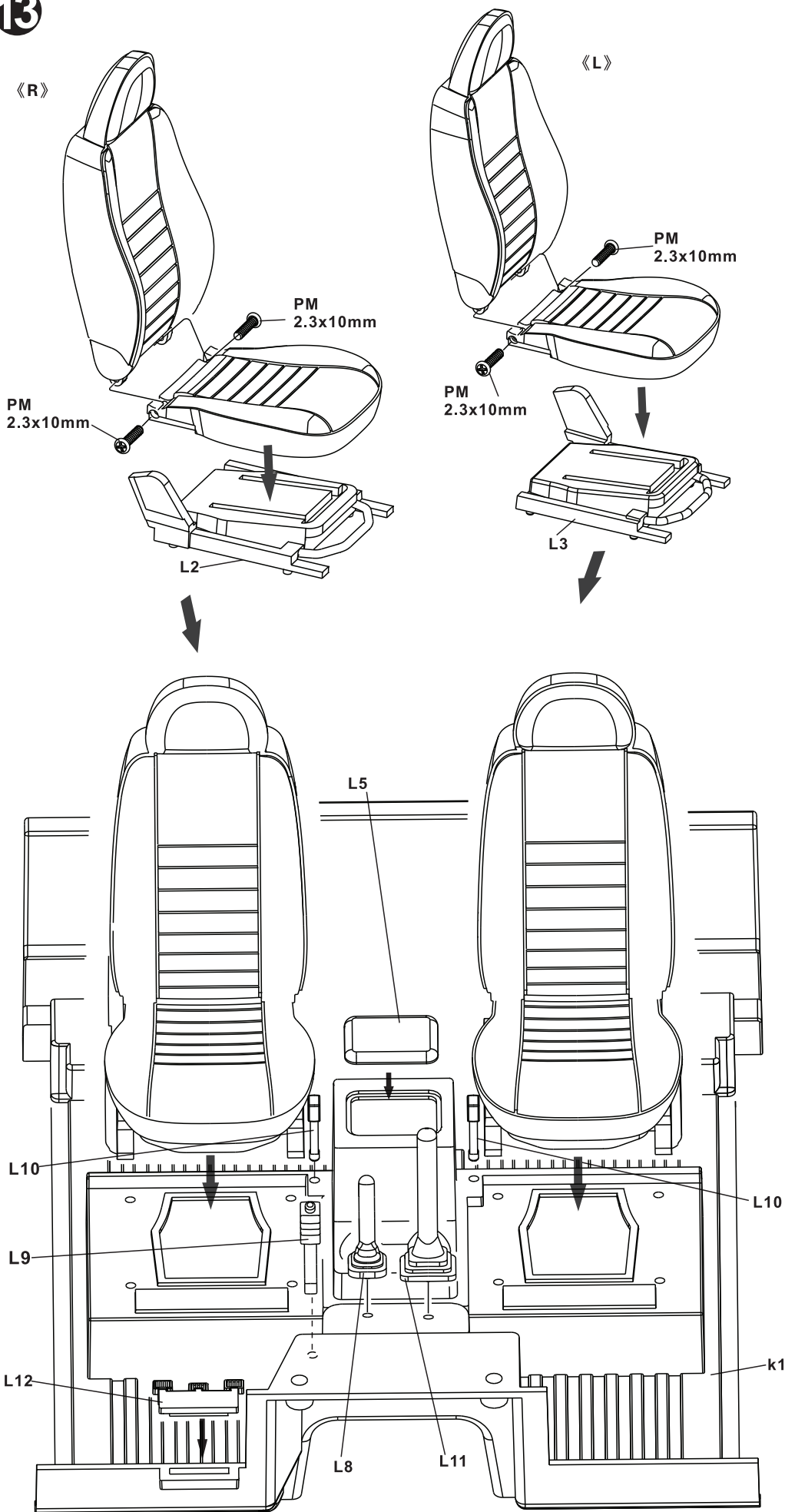


13

PM 2.3x10mm  
Screw  
x4

PM 2.3x10mm  
Screw

13



14

PM 2x5mm  
Screw  
x8

PM 2x5mm  
Screw

14

