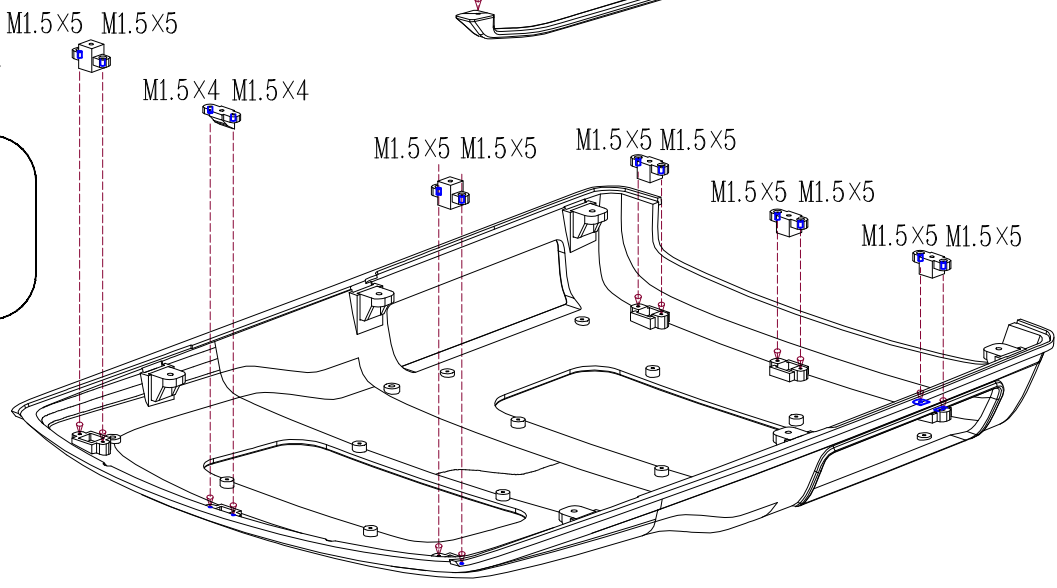


Attention!
Do not overtighten these 1.5 screws, damage may occur to the roof.



Attention!
Do not overtighten these 1.5 screws, damage may occur to the roof.

