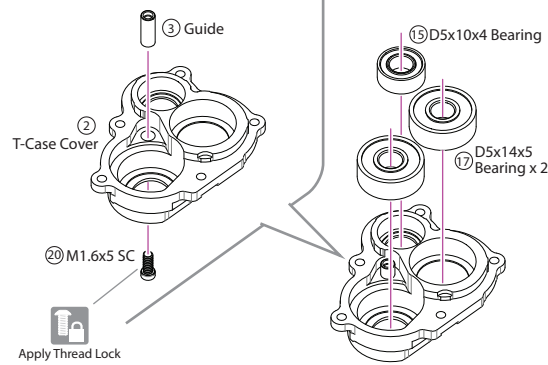


# SWD (Selective RWD/4WD) Transfer Case (#BRLC70301-SWD / #BRX020101-SWD)

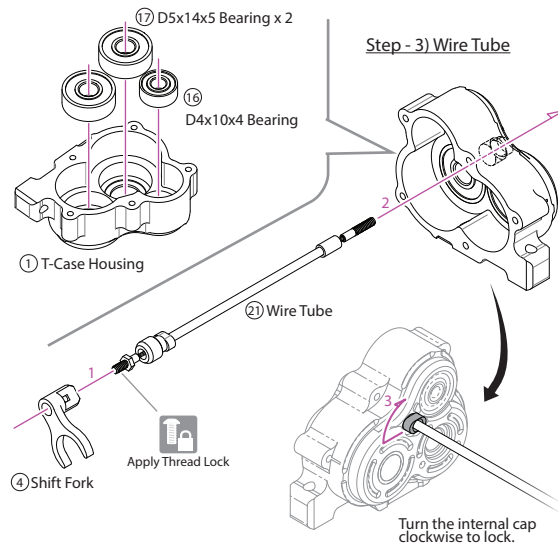
## Instruction Manual



### Step - 1) T-Case Cover



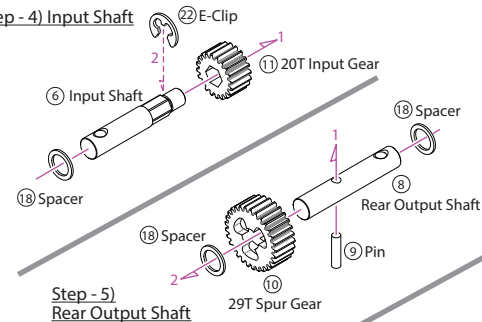
### Step - 2) T-Case Housing



### Step - 3) Wire Tube

Turn the internal cap clockwise to lock.

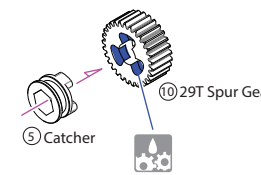
### Step - 4) Input Shaft



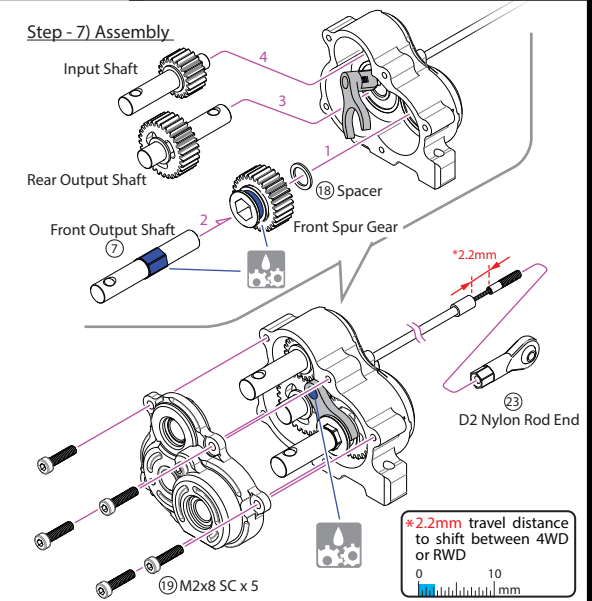
### Step - 5) Rear Output Shaft



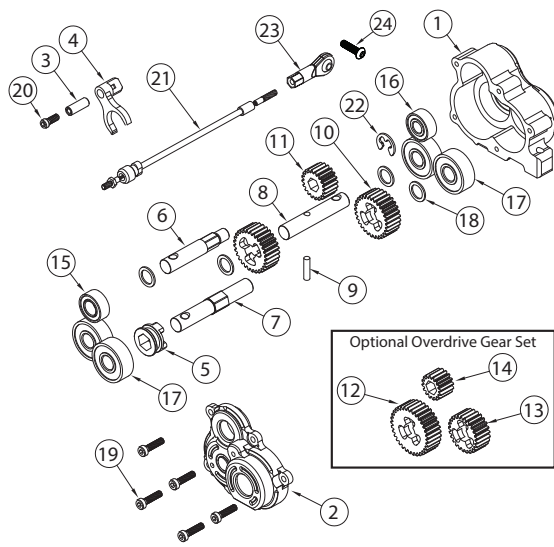
### Step - 6) Front Output Shaft Spur Gear



### Step - 7) Assembly



## SWD (Selective RWD/4WD) Transfer Case



Parts Included:	Qty.	Parts Included:	Qty.
(1) T-Case Housing	1	(15) D5x10x4 Bearing	1
(2) T-Case Cover	1	#BBZMR1052RS	
#BRLC70302-SWD-A		(16) D4x10x4 Bearing	1
(3) Guide	1	#BBZMR1042RS	
(4) Shift Fork	1	(17) D5x14x5 Bearing	4
(5) Catcher	1	#BBZ6052RS	
#BRLC70303-SWD-B		(18) D5x7x0.5 Spacer	4
(6) Input Shaft	1	#BRASSPD5705	
(7) Front Output Shaft	1	(19) M2x8 SC Screw	5
(8) Rear Output Shaft	1	#BRASCH2008	
(9) D2x 8 Pin	1	(20) M1.6x5 SC Screw	1
#BRLC70304-SWD-C		#BRASCH1605	
(10) 29T Spur Gear	2	(21) Wire Tube	1
(11) 20T Input Gear	1	#BRLC70306 / #BRX020104	
#BRLC70305-SWD-D		(22) E-Clip	1
(12) 33T Spur Gear	1	#BRASEC30	
(13) 25T Spur Gear	1	(23) D2 Nylon Rod End	1
(14) 16T Input Gear	1	#BRQ90351	
#BRLC70204-ODT-C (Not included)		(24) M2x7 RS Screw	1
		#BRASBH2007	

### Boom Racing Transfer Case Gear Ratio

Standard Gear Ratio			Over-Drive Gear Ratio		
Input	20T		Input	16T	
Output - Rear	29T	1:1.45	Output - Rear	33T	1:2.06
Output - Front	29T	1:1.45	Output - Front	25T	1:1.56
Rear to Front output speed ratio		1:1	Rear to Front output speed ratio		1:1.32

## YOUR R/C HOP-UPS SPECIALIST

We love building scale models. Let's be honest. Which badass doesn't love a beautiful looking car? Our focus is on designing the best looking products that really perform; products that withstand beating and still look great enough to be shelf queens. Offering you the latest designs made with the highest possible quality at affordable prices is our absolute focus for all enthusiastic hobbyists.

Since 2012, Boom Racing has been manufacturing extreme performance RC products. We want you to love and enjoy these amazing "scale" and "performance" based products to create your own unique realistic RC builds.

We are never going to stop at giving you the best updates and upgrades on our product lines. That's our passion and our commitment to keep you on your toes with excitement and anticipation for what's to come next.

Enjoy being a BADASS!

## SWD (Selective RWD/4WD) Transfer Case #BRLC70301-SWD / #BRX020101-SWD

Difficulty Level: ★ ★ ★ ☆ ☆



ENJOY BEING A BADASS



#boomracing



www.facebook.com/boomracingrc