

Installing Boom Racing Realistic V8 Engine And Cylinder Cover

1. Remove the stock Air Filter and Rocker Cover off the Engine Block.
2. Screw the two socket screws back into the front holes as shown in Diagram 1 making sure you use the 2mm Feeler Gauge provided on the new Rocker Cover.

It is important to leave 2mm of thread showing, so you may insert the Key Holes in the Rocker Cover. They should slide forward to secure in place.

3. Insert the Engine Cover into the two slots provided in the Rocker Cover, as shown in Diagram 3.

When all three pieces are connected together, slot the two Key Holes over the two cup head screws and gently push the whole assembly forward.

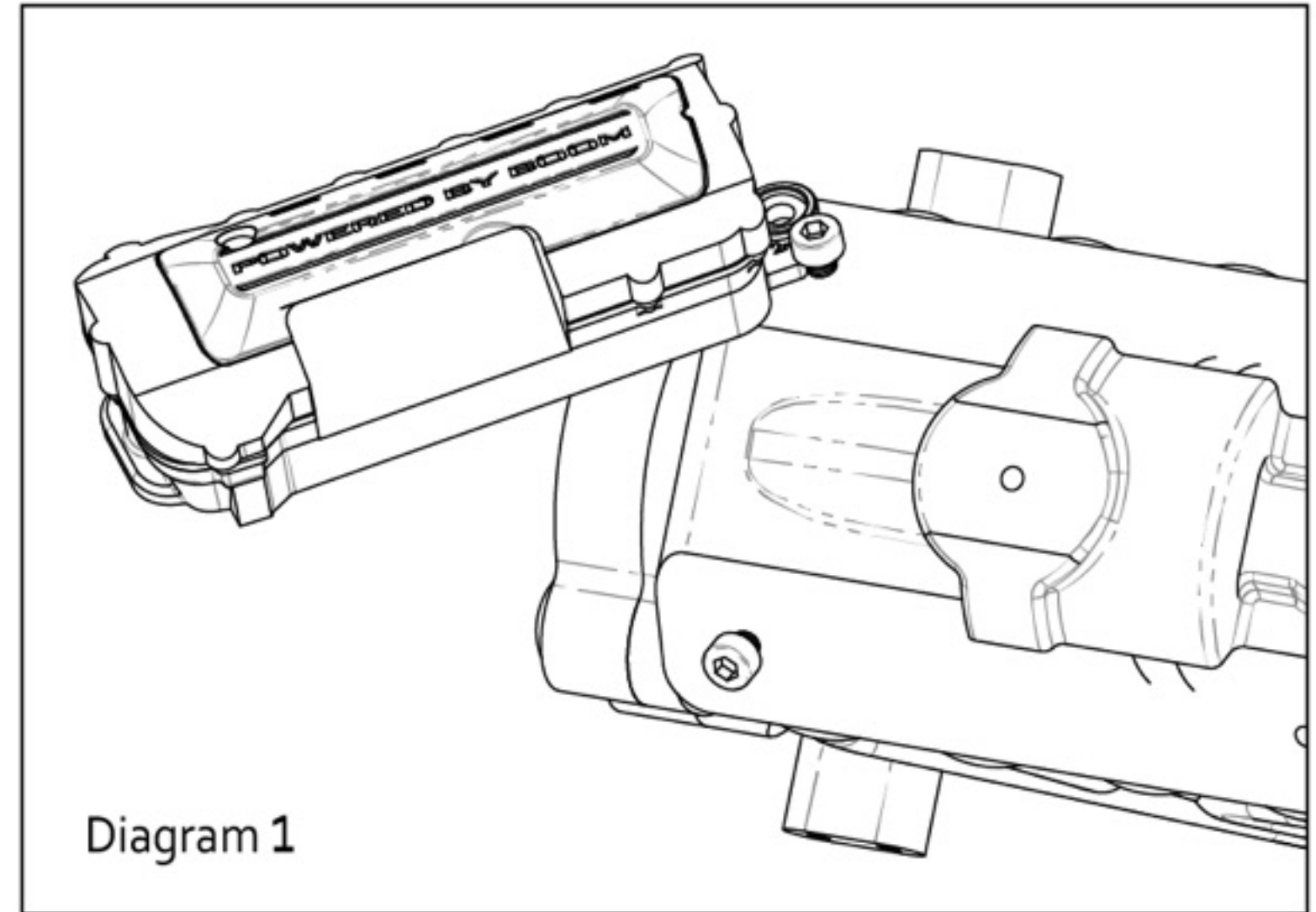


Diagram 1

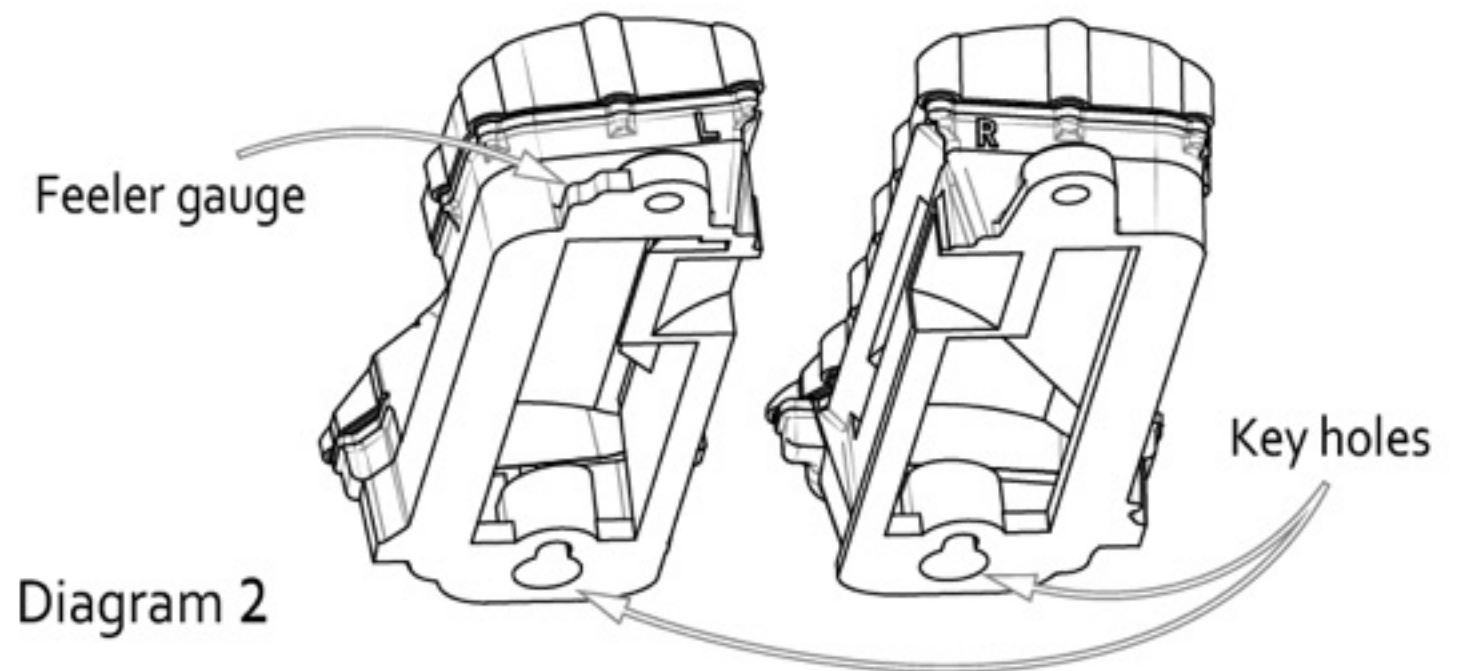


Diagram 2

Installing Boom Racing Realistic V8 Engine And Cylinder Cover

- Secure the assembly with the cup head screws that are removed earlier step.
- Insert the Air Ram Pipe into the slot provided as shown in Diagram 4.
(use glue for permanent attachment)

