

INCLUDES		QTY
(1) Center Housing	(#BRLC7026A)	1
(3) Third Member	(#BRLC7025)	1
(2) Diff Cover	(#BRLC7026)	1
(4) AR44 HD 30/8T Bevel Gear + Input Shaft	(#BR955020)	1
(5) Low Profile Truss	(#BRLC7004)	1
(6) Link Mount	(#BRLC7005)	2
(7) C-Hub (Aluminum) - BRX70	(#BRLC7001)	2
- BRX80	(#BRD8011)	
- BRX90	(#BRD9011)	
(8) Knuckle Lever	(#BRLC7002A)	2
(9) BADASS™ Uni. Drive Shaft - BRX70	(#BRB DLC7010)	2
- BRX80	(#BRBD8001)	
- BRX90	(#BRBD9001)	
(10) Knuckle (AR44 Compatible)	(#BRLC7002)	2
(11) Steering Link Tie Rod - BRX70	(#BRLC7003)	1
- BRX80	(#BRD8022A)	
- BRX90	(#BRD9022A)	
(12) Drag link M3xD5 - 33mm	(#BRLC7063)	1
(13) Drag link M3xD5 - 43mm	(#BRLC7063)	1
(14) Nylon Rod Ends M4	(#BRW750306A)	2
(15) Nylon Rod Ends M3	(#BRW750315A)	2
(16) M3x8 - Countersunk Screw		2
(17) M2.5x10 - Socket Screw		2
(18) Bearing - D7x14x3.5		2
(19) Bearing - D5x11x4		3
(20) Bearing - D5x10x4		2
(21) Bearing - D15x10x4		2
(22) Bearing - D5x14x5		1
(23) D3 Stepped Bushing		4
(24) M3x8mm - Round Head Screw		4
(25) M3x10 - Round Head Screw		2
(26) M3x14 - Round Head Screw		5
(27) M3x16 - Round Head Screw		4
(28) M3x20 - Round Head Screw		1
(29) M3x30 - Round Head Screw		1
(30) M3 Self Locking Nut		1
(32) M2.5 Nut		2
(31) M2.5x14 - Round Head Screw		2
(33) M2.5x14 - Socket Screw		4
(34) M2.5x5 - Socket Screw		3
(35) M2x4 - Socket Screw		1
(36) D5x8x0.1 (Fine Tune Spacer)		5

Enjoy Being A BADASS

We love building scale models. Let's be honest. Which badass doesn't love a beautiful looking car? Our focus is on designing the best looking products that really perform; products that withstand beating and still look great enough to be shelf queens. Offering you the latest designs made with the highest possible quality at affordable prices is our absolute focus for all enthusiastic hobbyists.

Since 2012, Boom Racing has been manufacturing extreme performance RC products. We want you to love and enjoy these amazing "scale" and "performance" based products to create your own unique realistic RC builds.

We are never going to stop at giving you the best updates and upgrades on our product lines. That's our passion and our commitment to keep you on your toes with excitement and anticipation for what's to come next.

Enjoy being a badass!



#boomracing



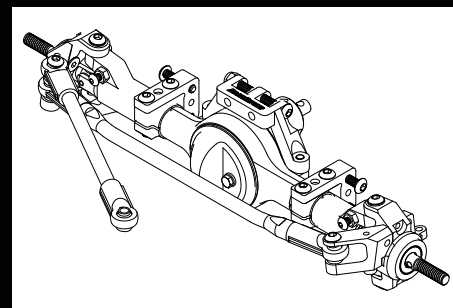
www.facebook.com/
boomracingrc

WWW.BOOMRACINGRC.COM

Copyright BoomRacing Co. Ltd.



**Complete Front Assembled
BRX70 / BRX80 / BRX90 PHAT™ Axle
w/ BADASS™ Universal Drive Shafts
& Keyed AR44 30/8T HD Gears**



BRX70 - 148.5mm pin to pin (#BRLC7022)

BRX80 - 162mm pin to pin (#BRD8022)

BRX90 - 176mm pin to pin (#BRD9022)

ENJOY BEING A BADASS

BRLC7022_0807

Complete Front Assembled BRX70 / BRX80 / BRX90 PHAT™ Axle w/ BADASS™ Universal Drive Shafts & Keyed AR44 30/8T HD Gears

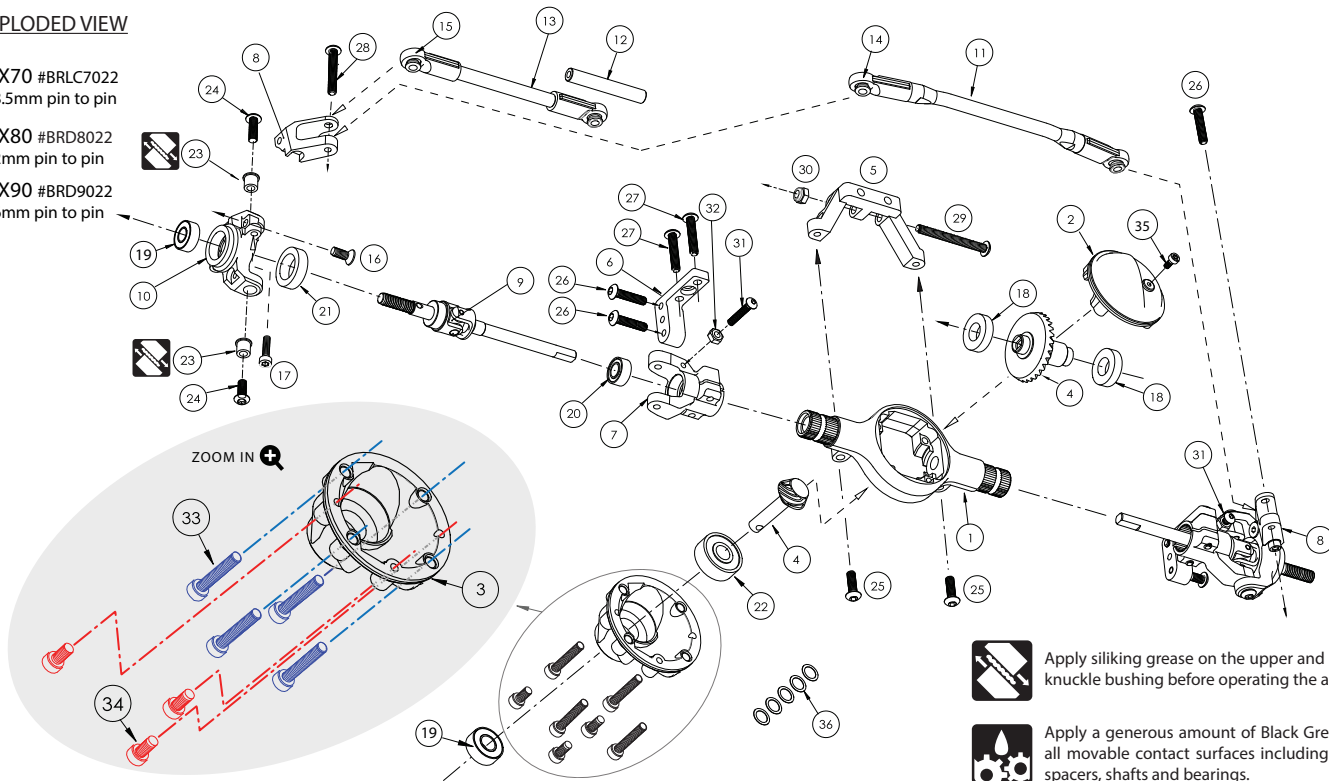


EXPLODED VIEW

BRX70 #BRLC7022
148.5mm pin to pin

BRX80 #BRD8022
162mm pin to pin

BRX90 #BRD9022
176mm pin to pin



Apply siliking grease on the upper and lower knuckle bushing before operating the axle.

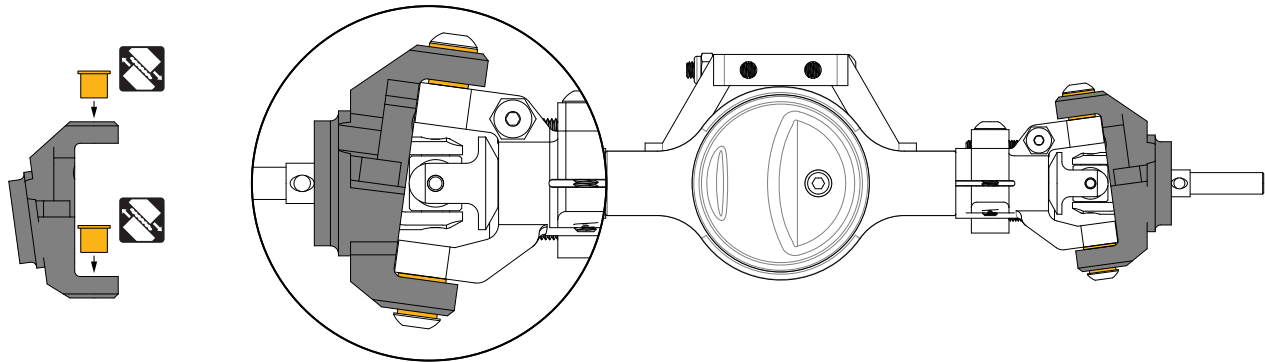


Apply a generous amount of Black Grease on all movable contact surfaces including gears, spacers, shafts and bearings.

BRX70 / BRX80 / BRX90 Front PHAT™ Axle

Aluminum Knuckle Installation Guide

Insert Bushings as follows:
(for BRX70 / BRX80 / BRX90)



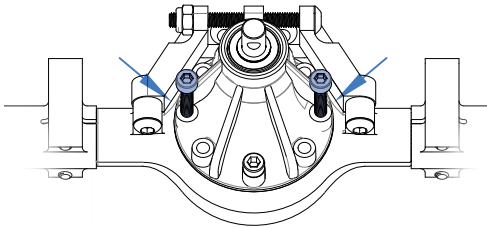
Apply silking grease on the upper and lower knuckle bushing before operating the axle.

BRX70 / BRX80 / BRX90 Front PHAT™ Axle

The third member release method when assembly is tight.

Step 1 - Remove all M2.5x14mm and two M2.5x5mm socket screws

Step 2 - Install two M2.5x14mm socket screws into both left and right screw holes as indicated



Step 3 - Lightly torque the screws until the third member is released

