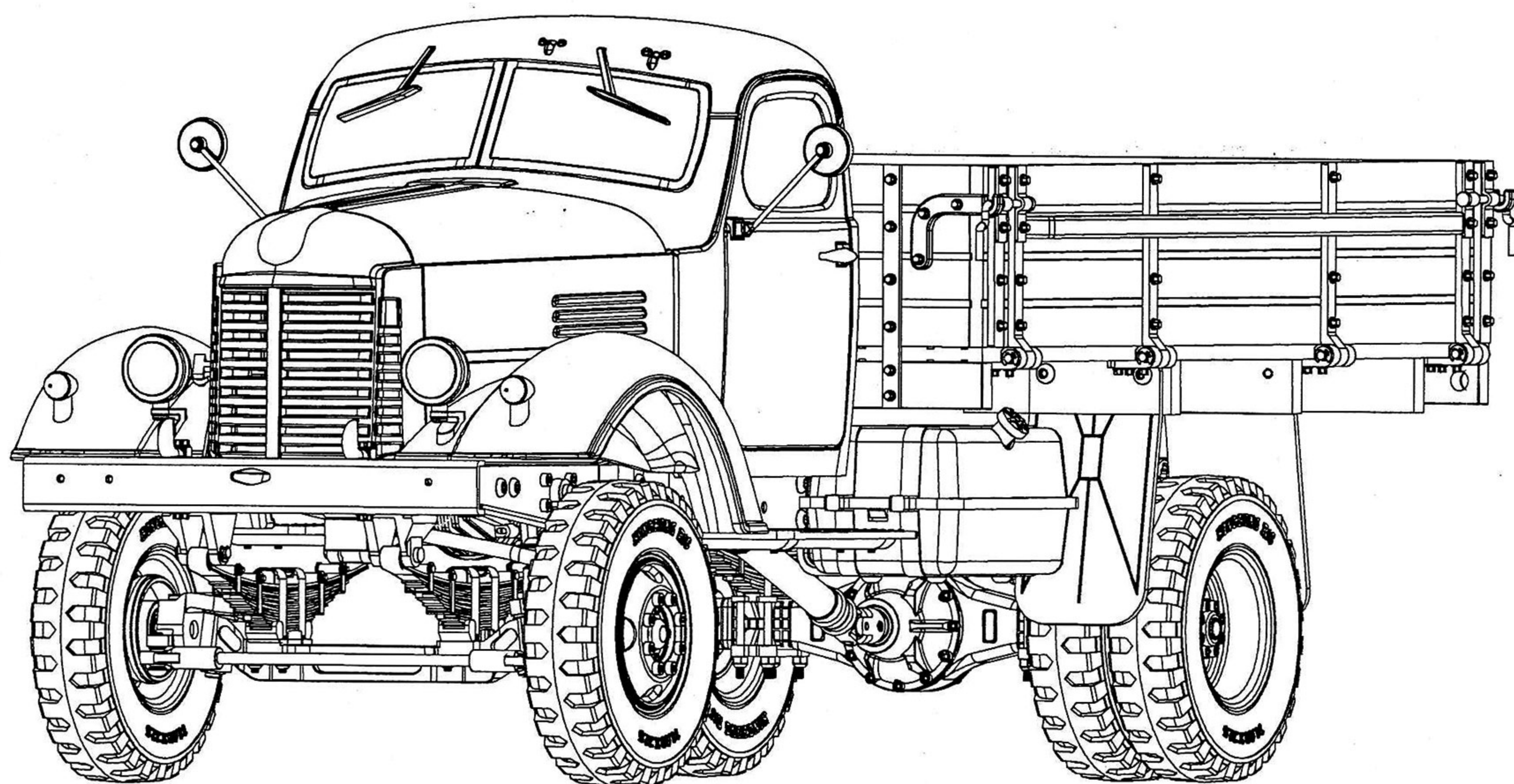




KINGKONG R/C

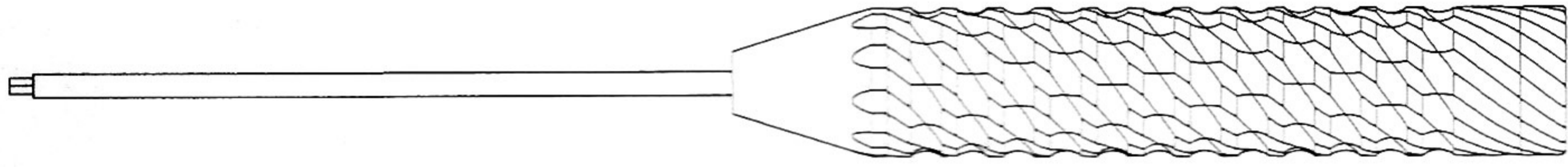


CA10

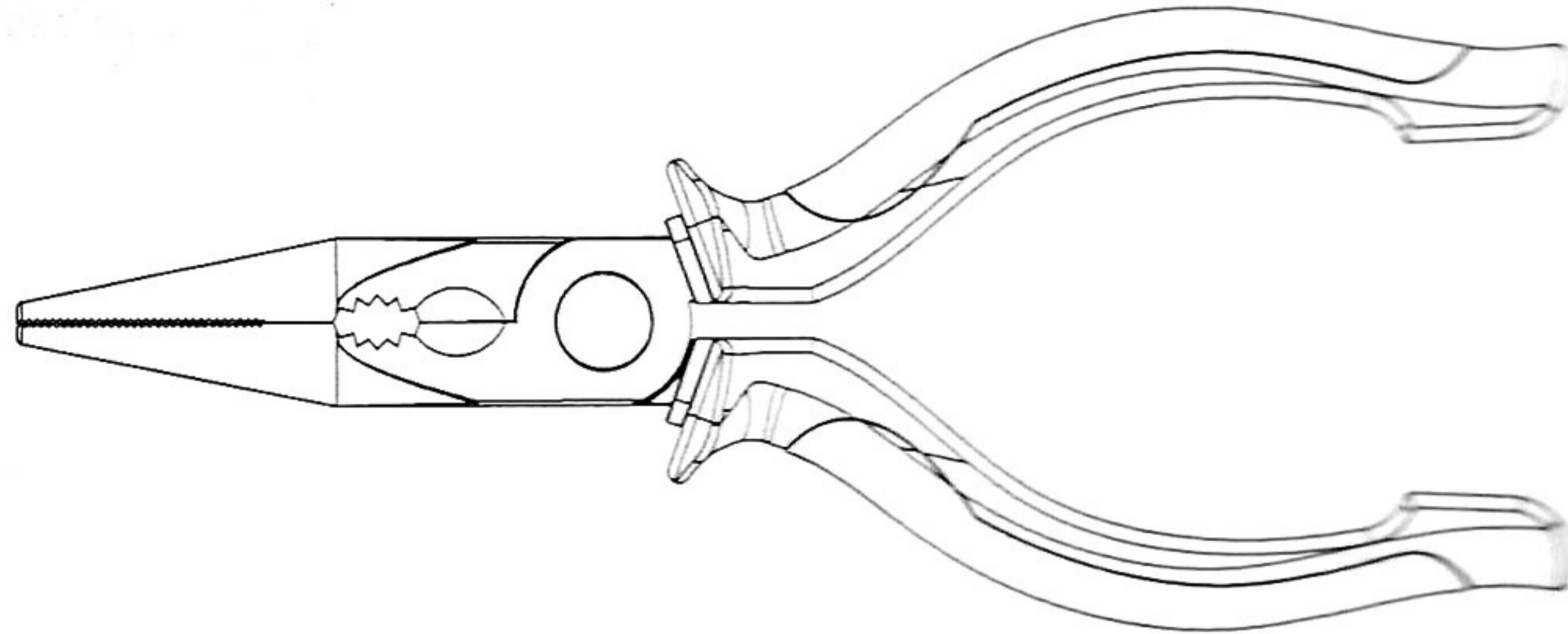
1/12TH SCALE R/C 4X2 LIGHT TRUCK

推荐工具

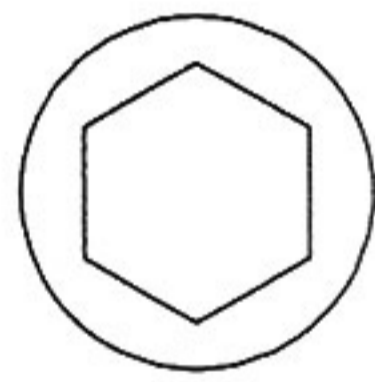
RECOMMENDED TOOLS



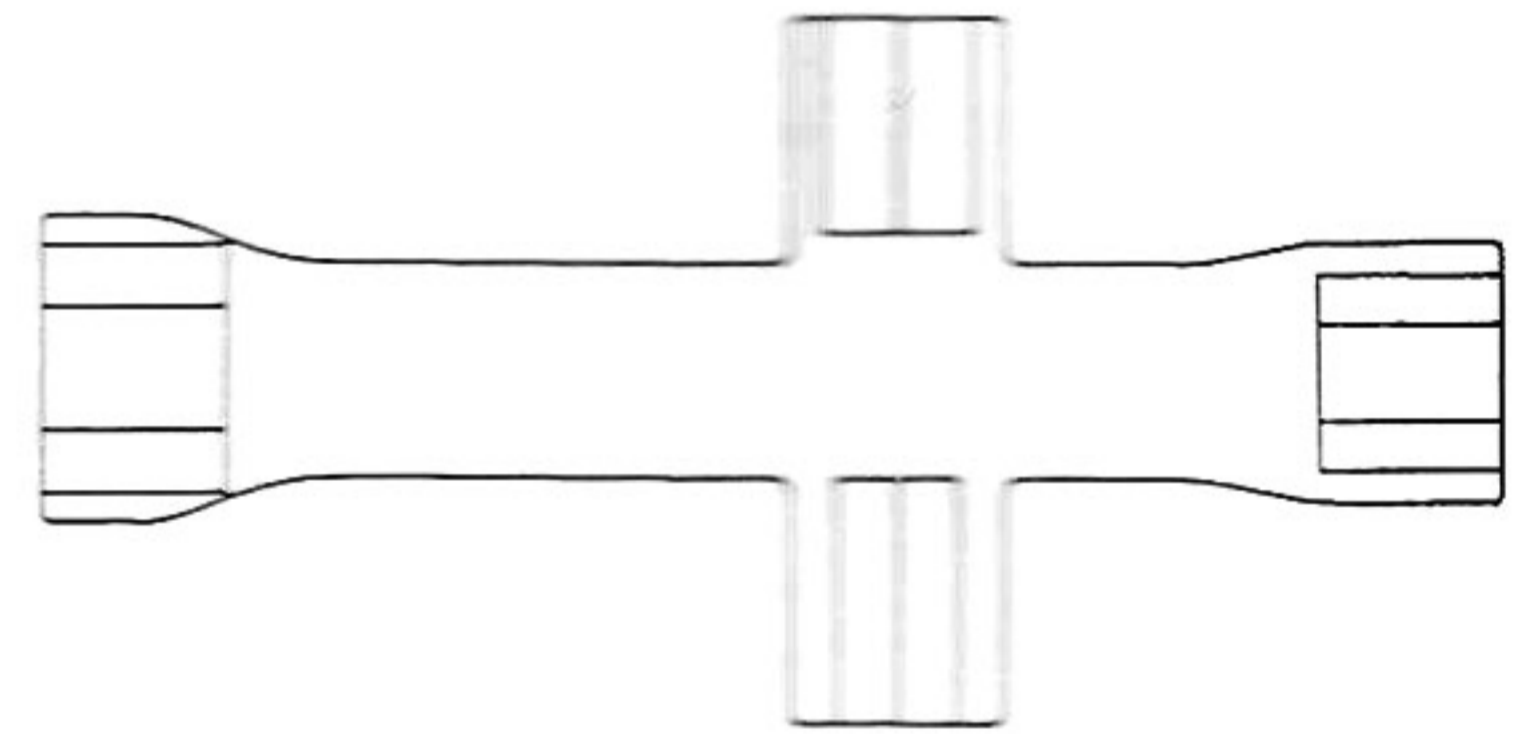
内六角螺丝刀
HEX DRIVERS (1.5MM, 2MM, 2.5MM)



尖嘴钳
LONG NOSE PLIERS



套筒
WRENCH (2.0MM, 2.5MM)



十字套筒
CROSS WRENCH

安装提示:

TIPS FOR ASSEMBLY:

使用好质量的螺丝刀，避免磨损螺丝头

USE GOOD QUALITY HEX DRIVERS TO AVOID STRIPPING SCREW HEADS.

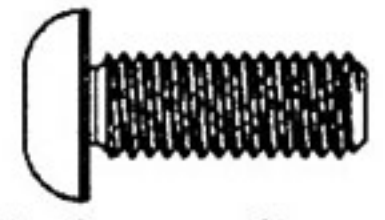
当将金属螺丝拧进金属部件时，请使用螺纹胶

USE THREAD LOCK WHEN PUTTING METAL SCREWS INTO METAL PARTS.

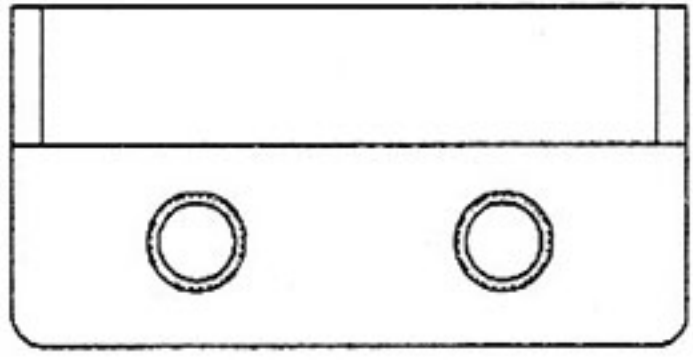
不要将螺丝拧太紧，否则将会磨损螺纹

DO NOT OVER TIGHTEN SCREWS OTHERWISE YOU MAY STRIP THE THREAD.

1

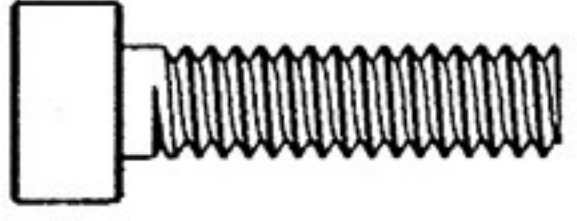


M3x8mm Screw x 4

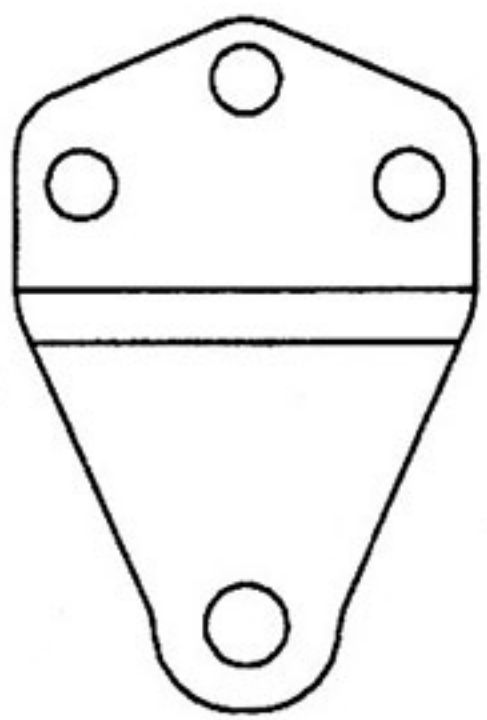


H-A0015-L/R x 2
Servo Fixing Part x 2

2

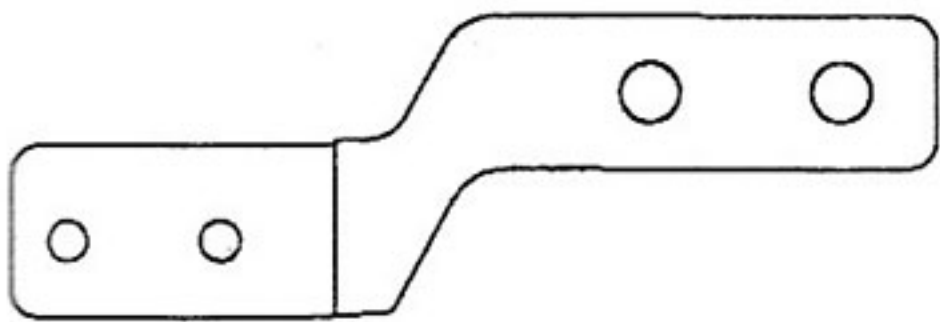


M2.5x8mm Screw x 3

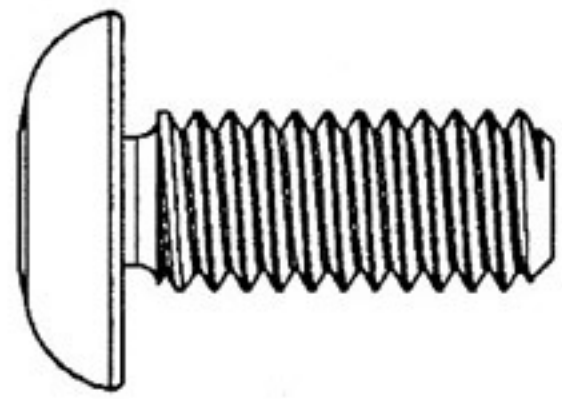


H-A0019 x 1

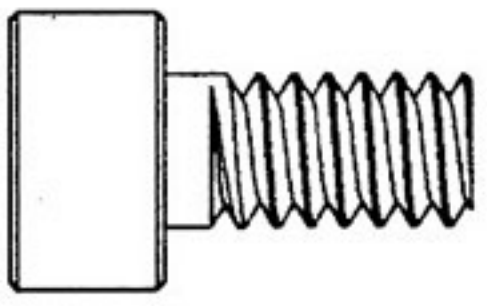
3



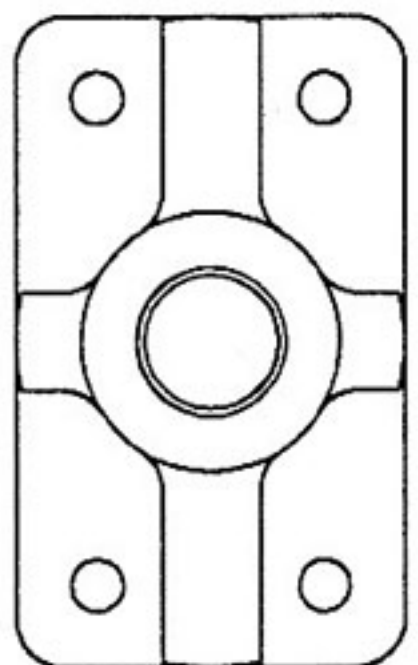
H-A0016 x 1



M2.5x6mm Screw x 2

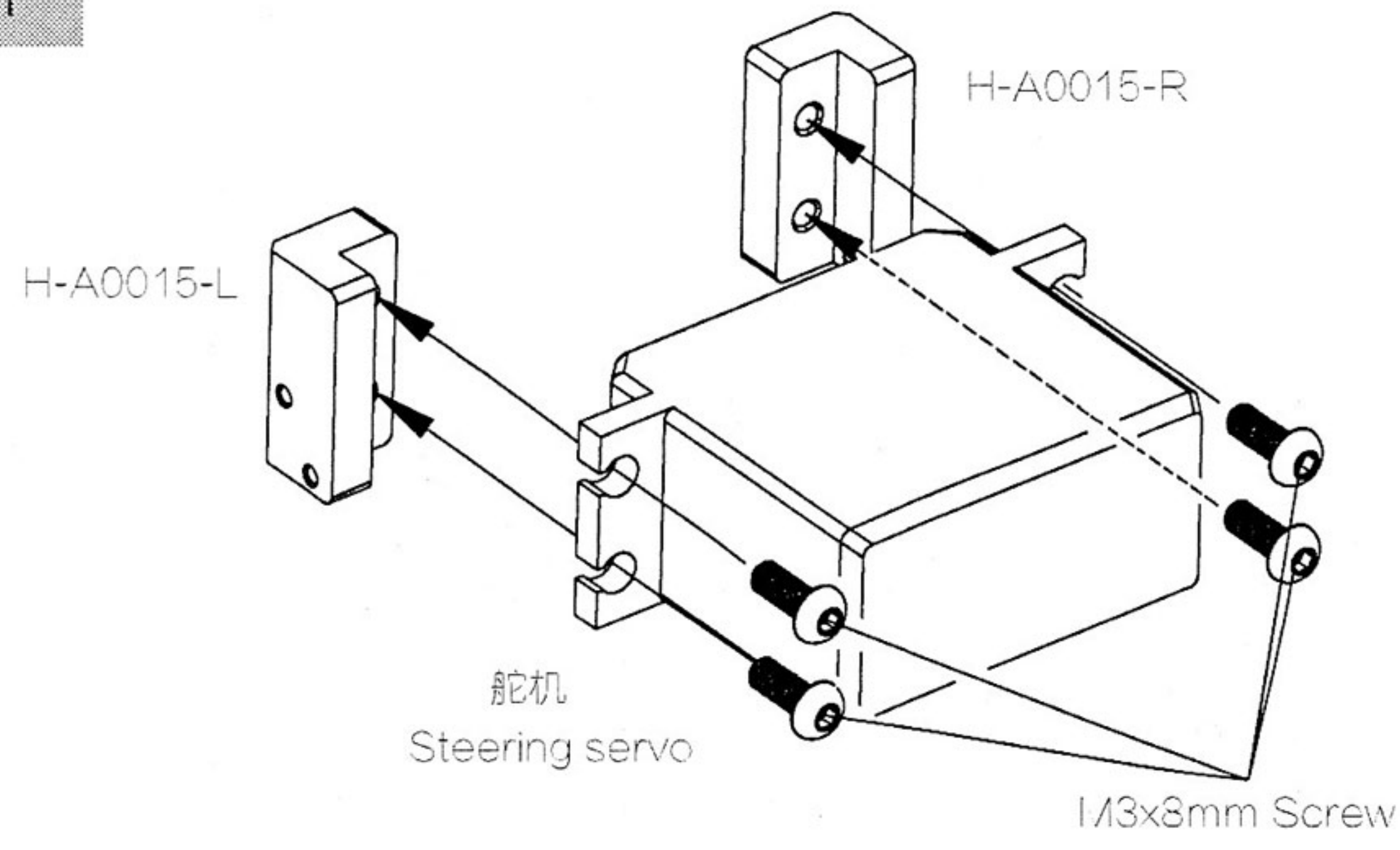


M2x4mm Screw x 4

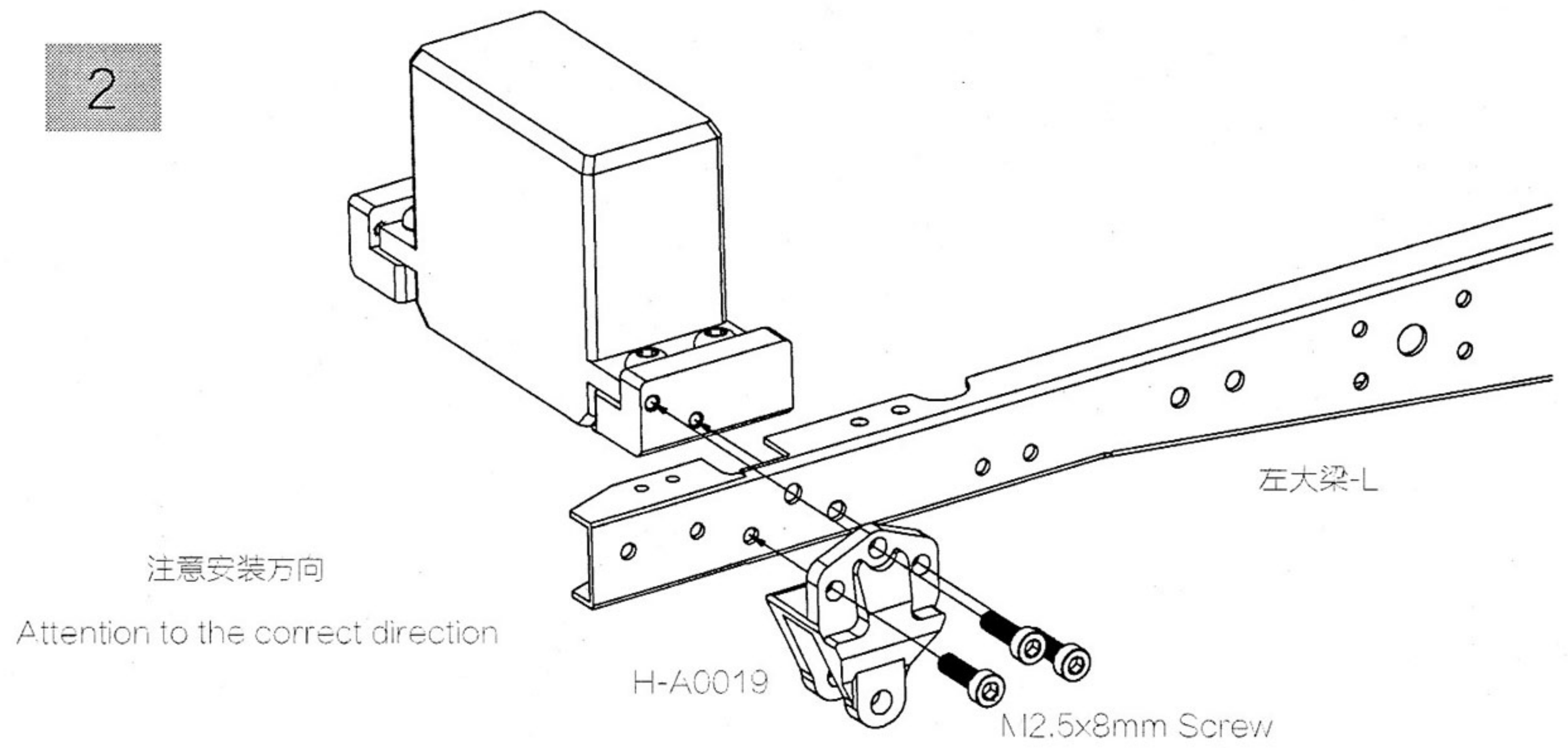


H-A0021

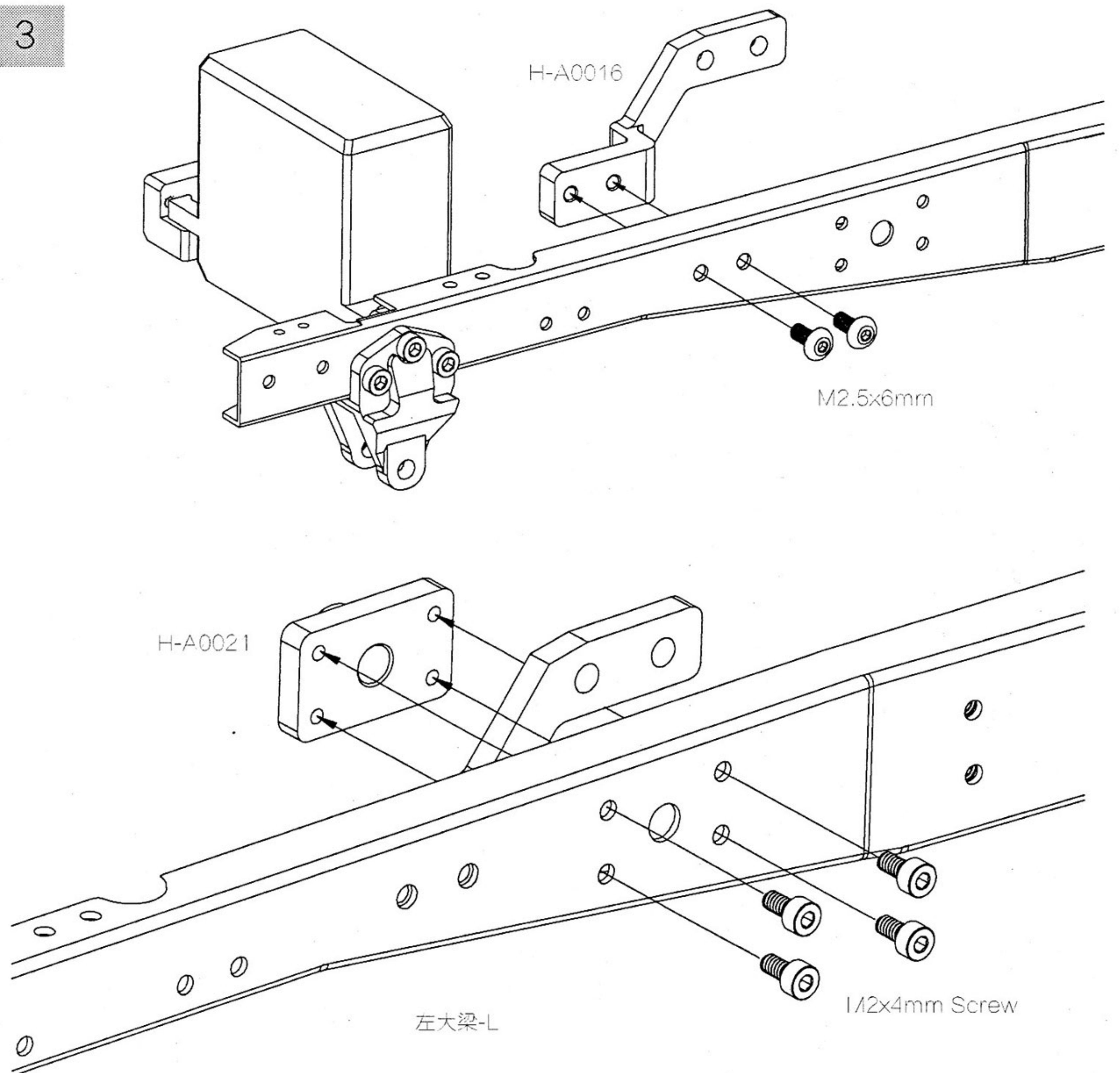
1



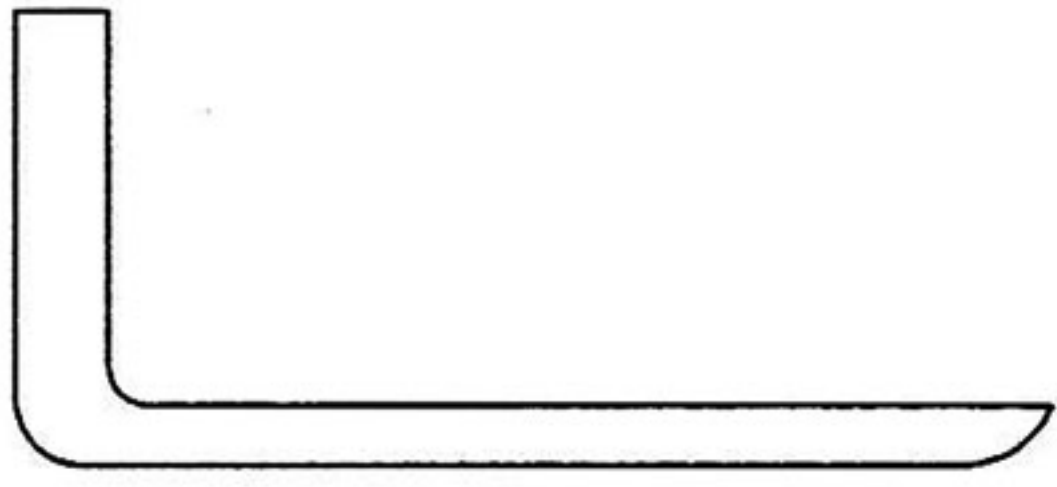
2



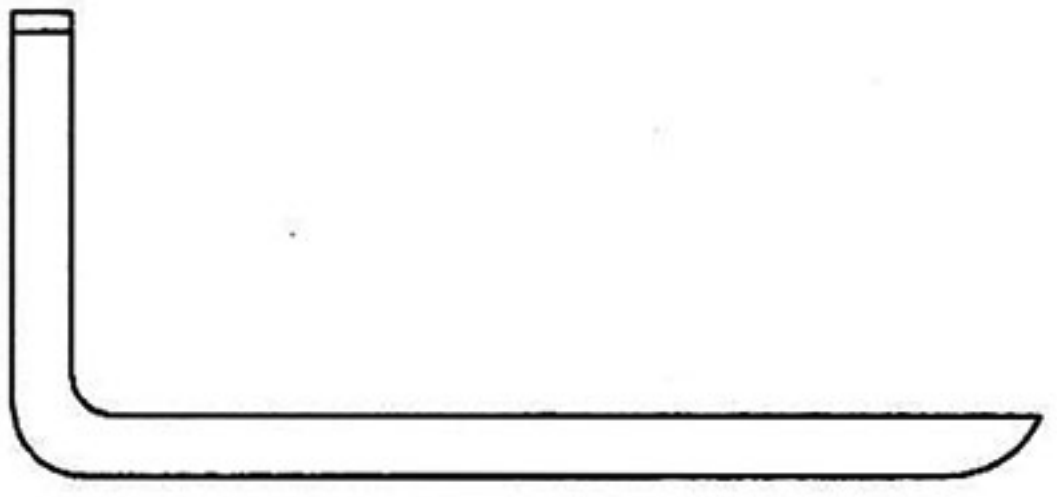
3



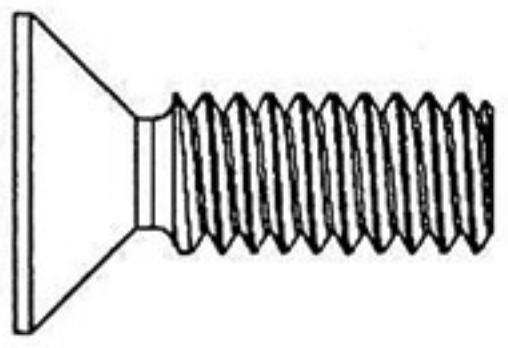
4



H-A0012L

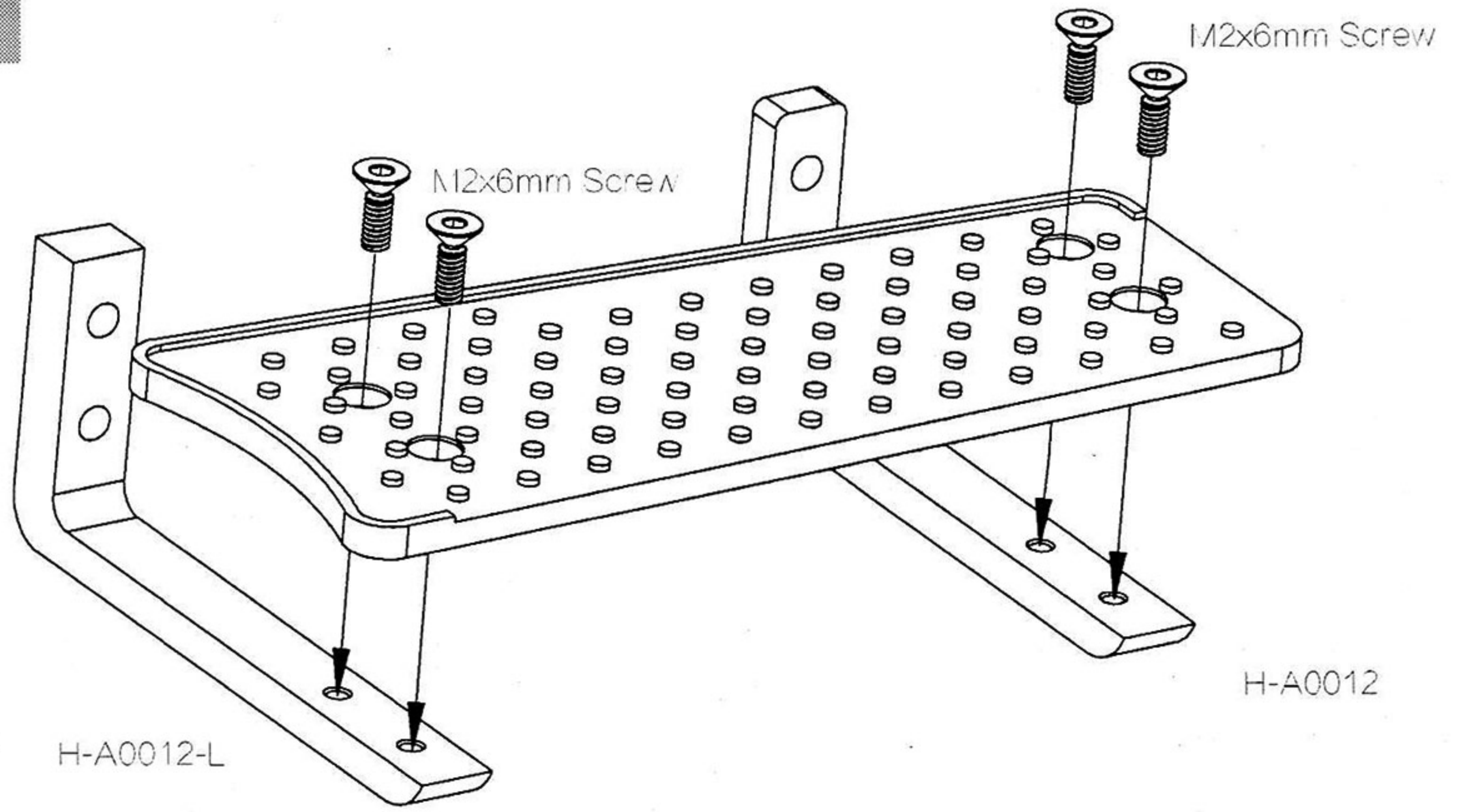


H-A0012



M2x6mm Screw // x 4

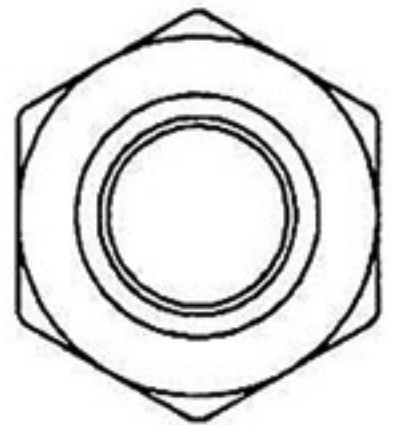
4



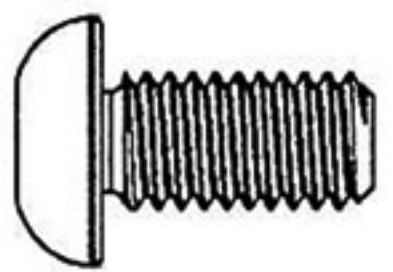
H-A0012-L

H-A0012

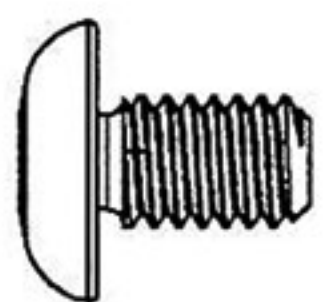
5



M2.5螺母 x 4

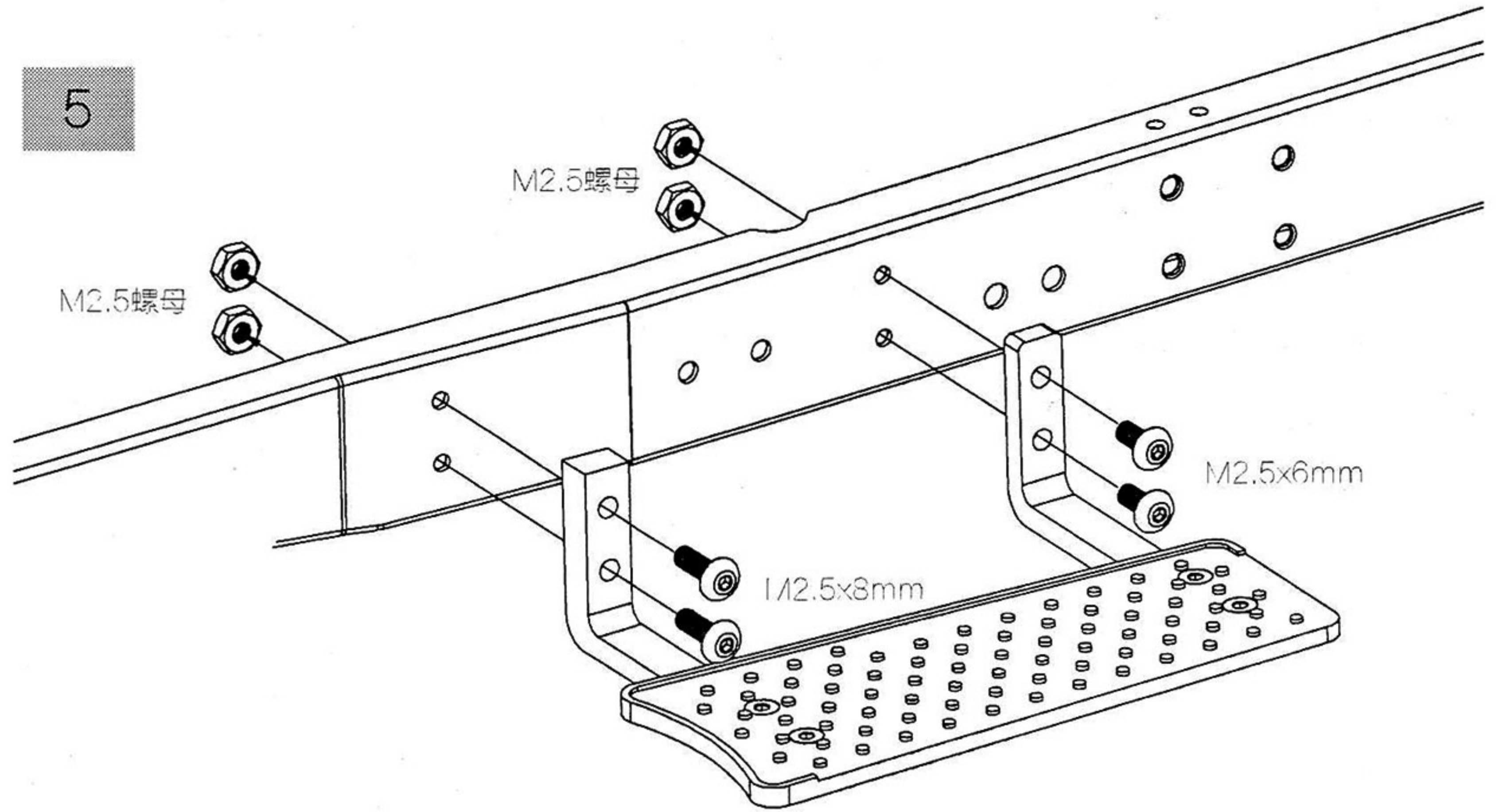


M2.5x8mm x 2



M2.5x6mm x 2

5



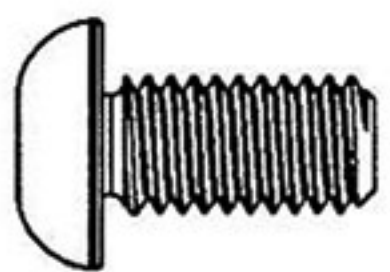
M2.5螺母

M2.5螺母

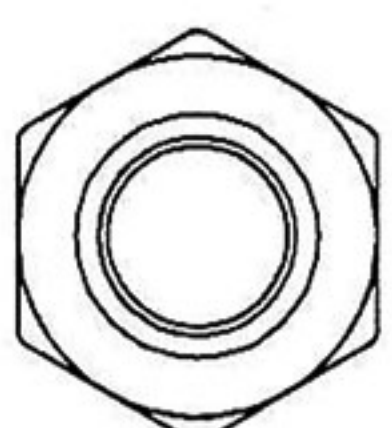
M2.5x6mm

M2.5x8mm

6

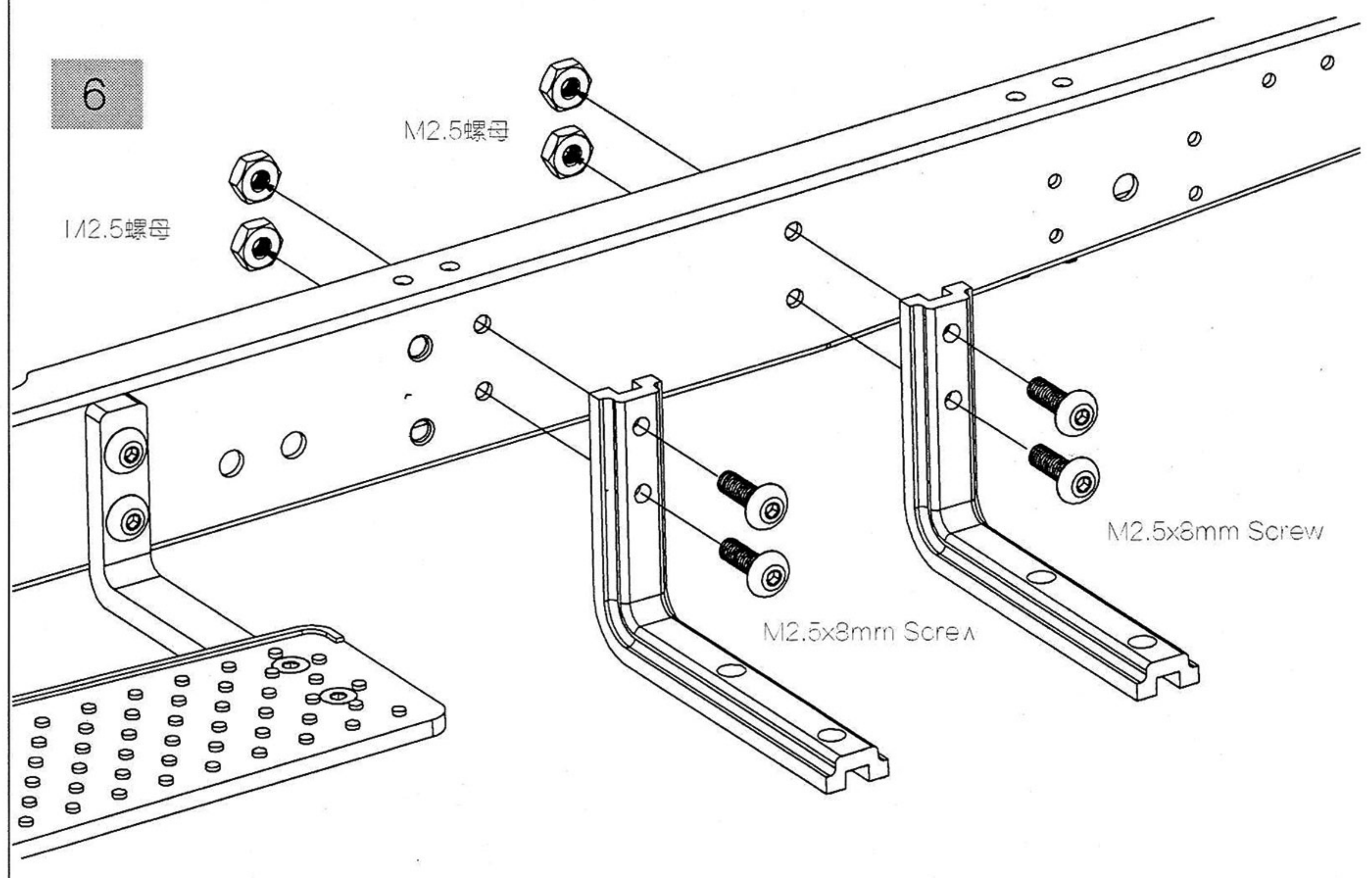


M2.5x8mm Screw x 4



M2.5螺母 x 4

6



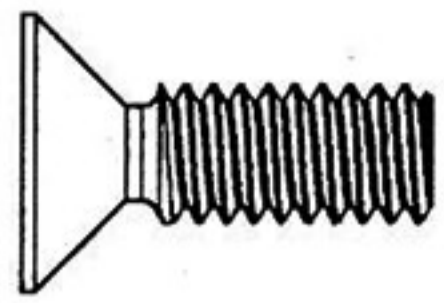
M2.5螺母

M2.5螺母

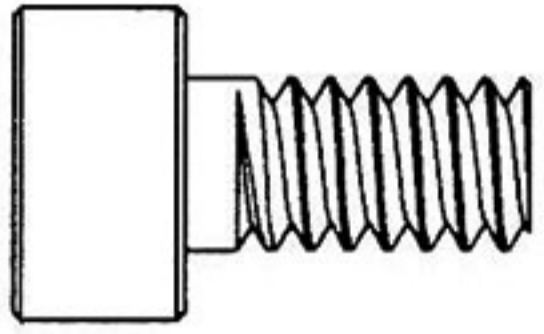
M2.5x8mm Screw

M2.5x8mm Screw

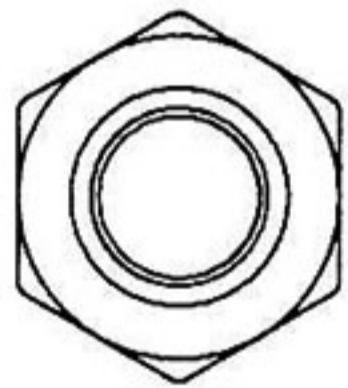
7



1/2x6mm Screw x 8

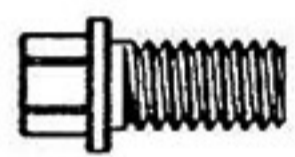


M2x6mm Screw x 4



M2螺母 x 4

8



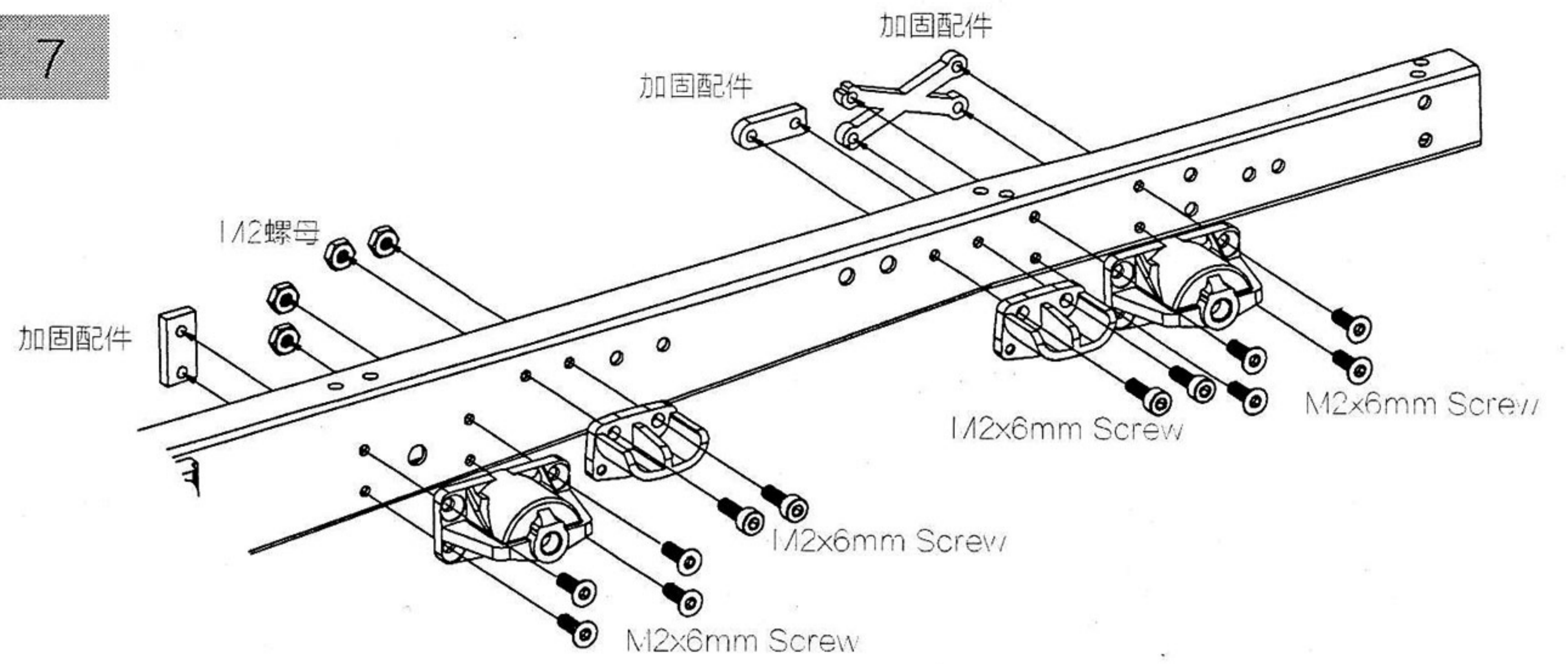
1/2x4mm Screw x 4

9



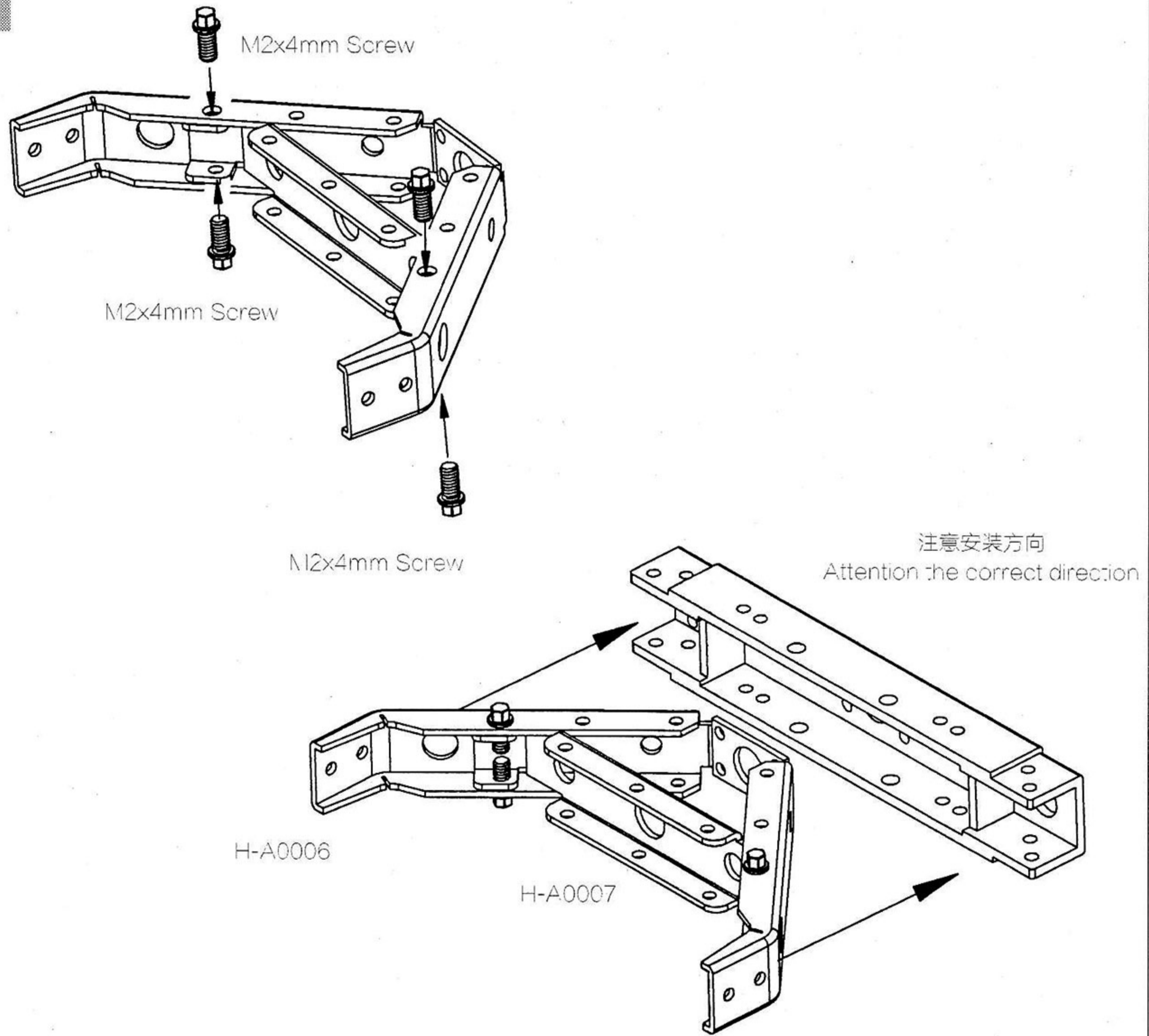
M2x4mm Screw x 8

7



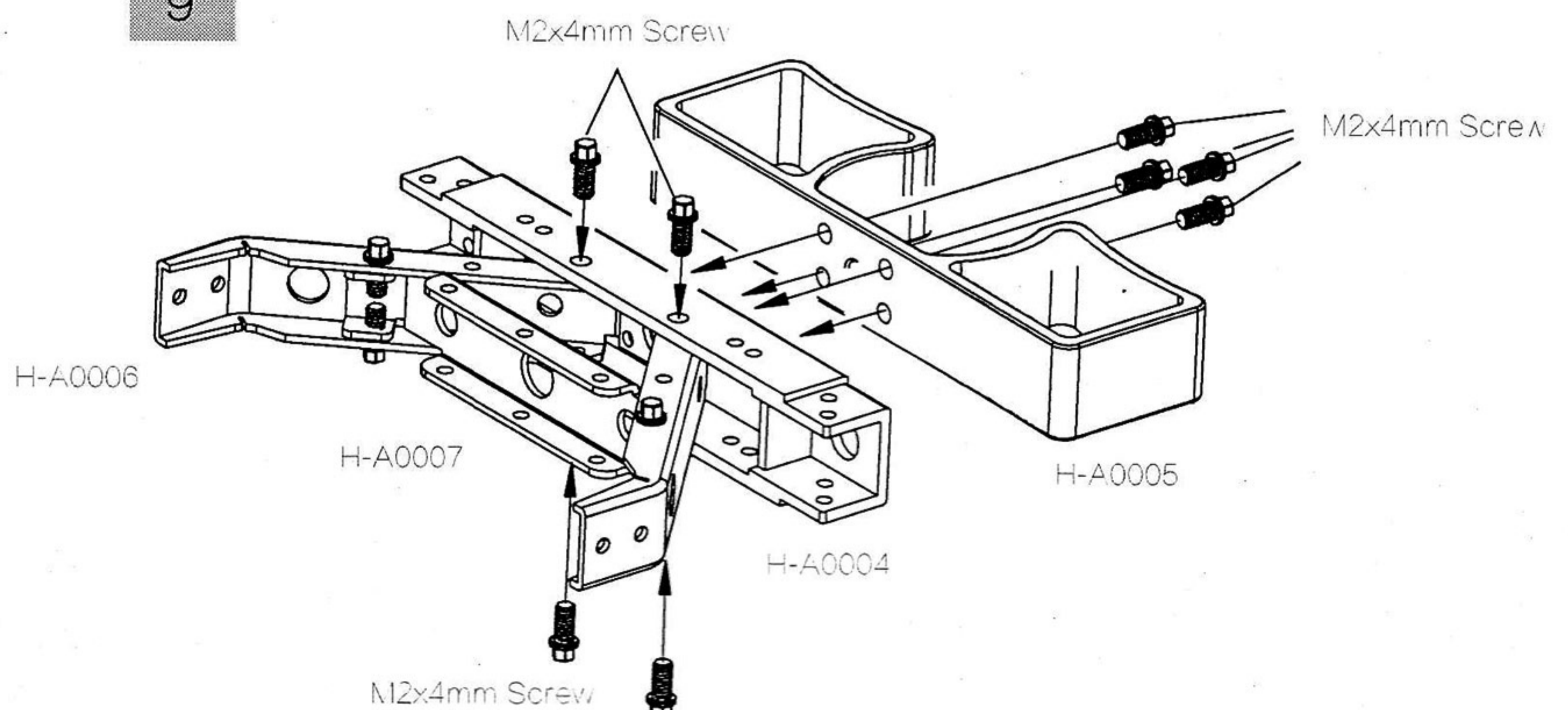
注意安装方向
Attention to the correct direction

8

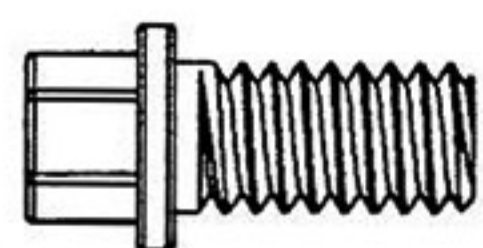


注意安装方向
Attention the correct direction

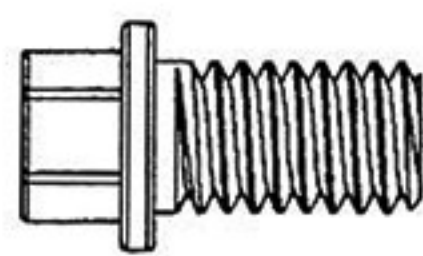
9



10

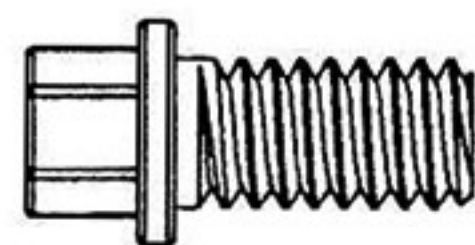


M2x4mm Screw x 7



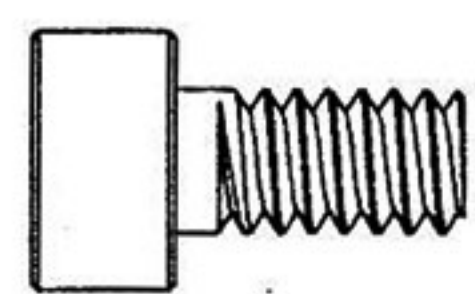
M2x3mm Screw x 1

11

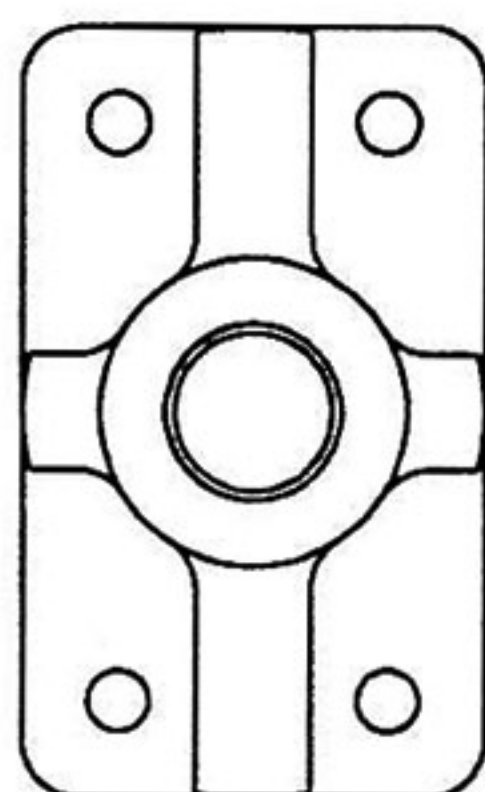


M2x4mm Screw x 4

12

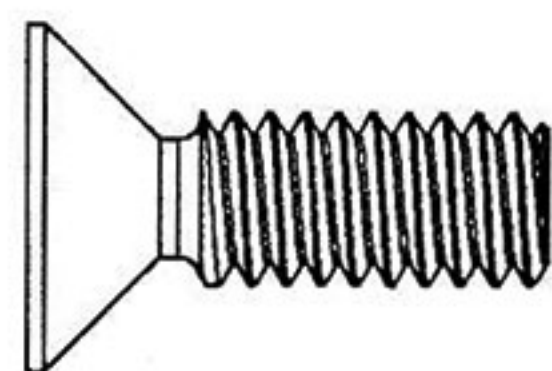


M2x4mm Screw x 4



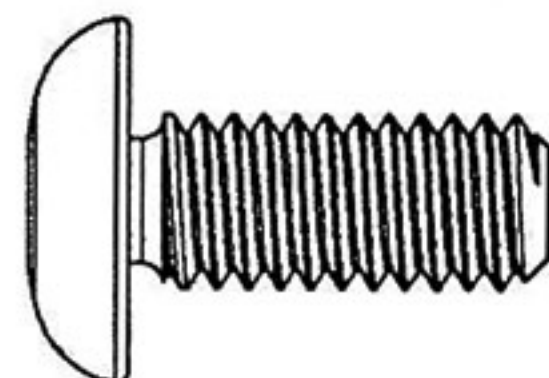
H-A0021

13

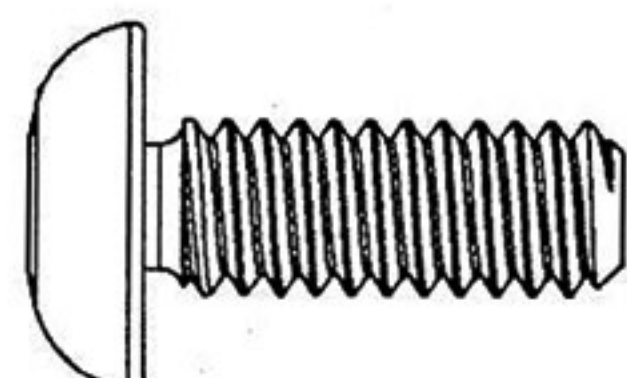


M2x6mm Screw x 4

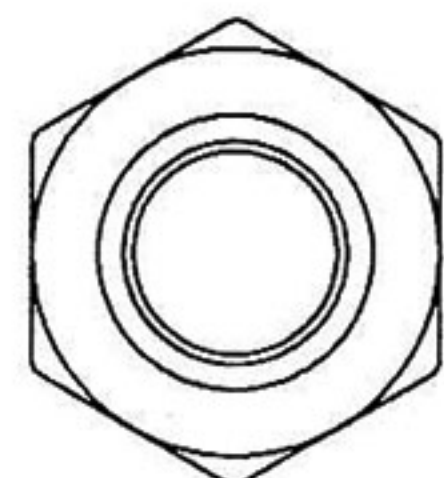
14



M2.5x6mm Screw x 2

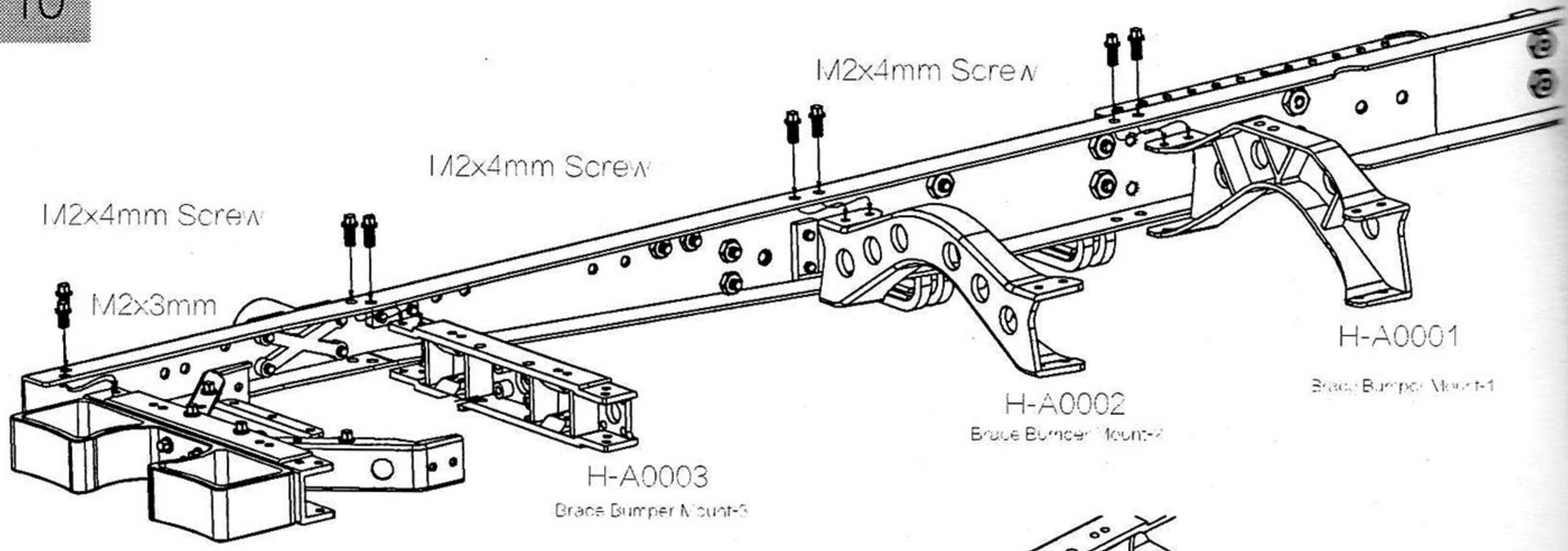


M2.5x8mm Screw x 2

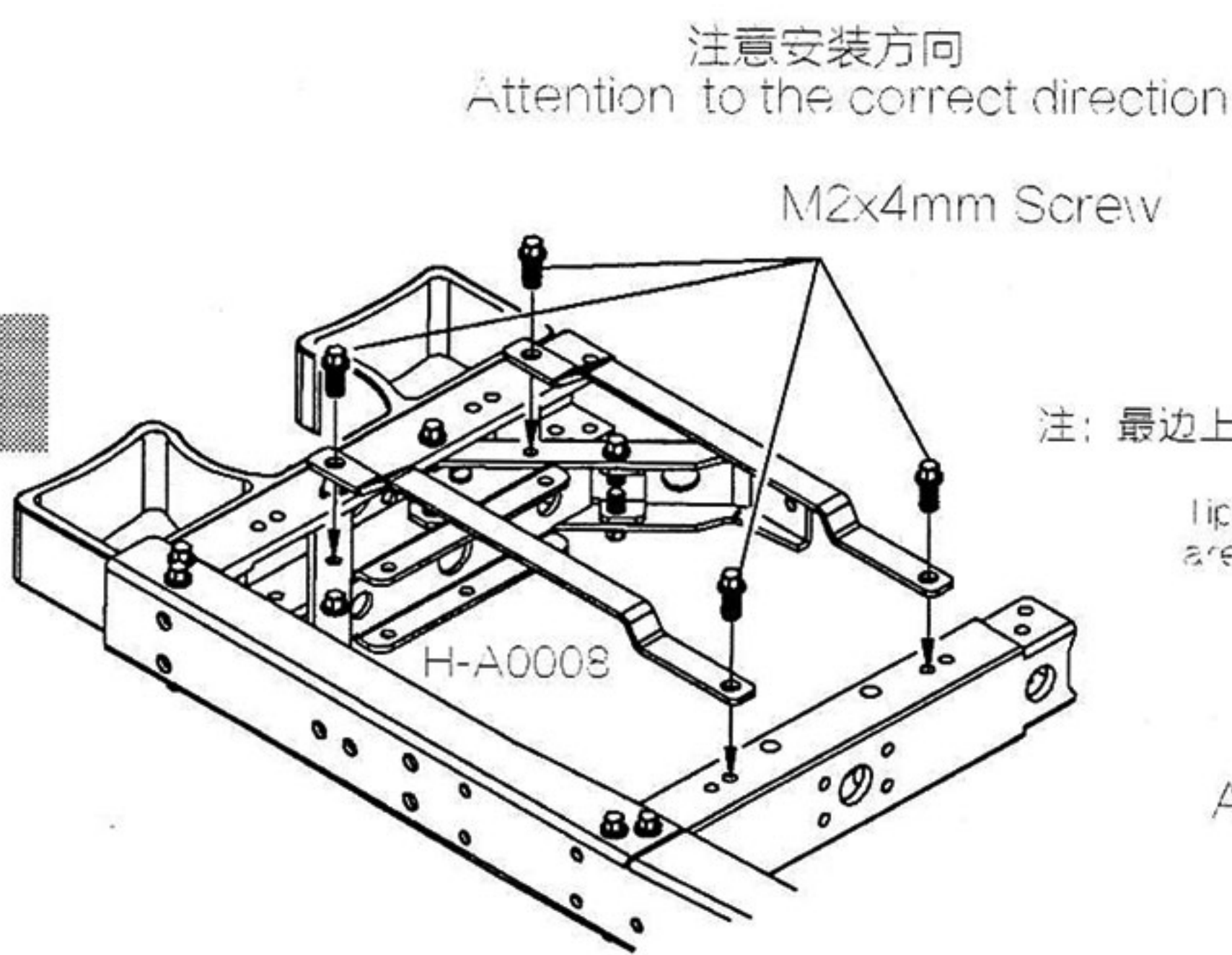


M2.5螺母 x 4

10

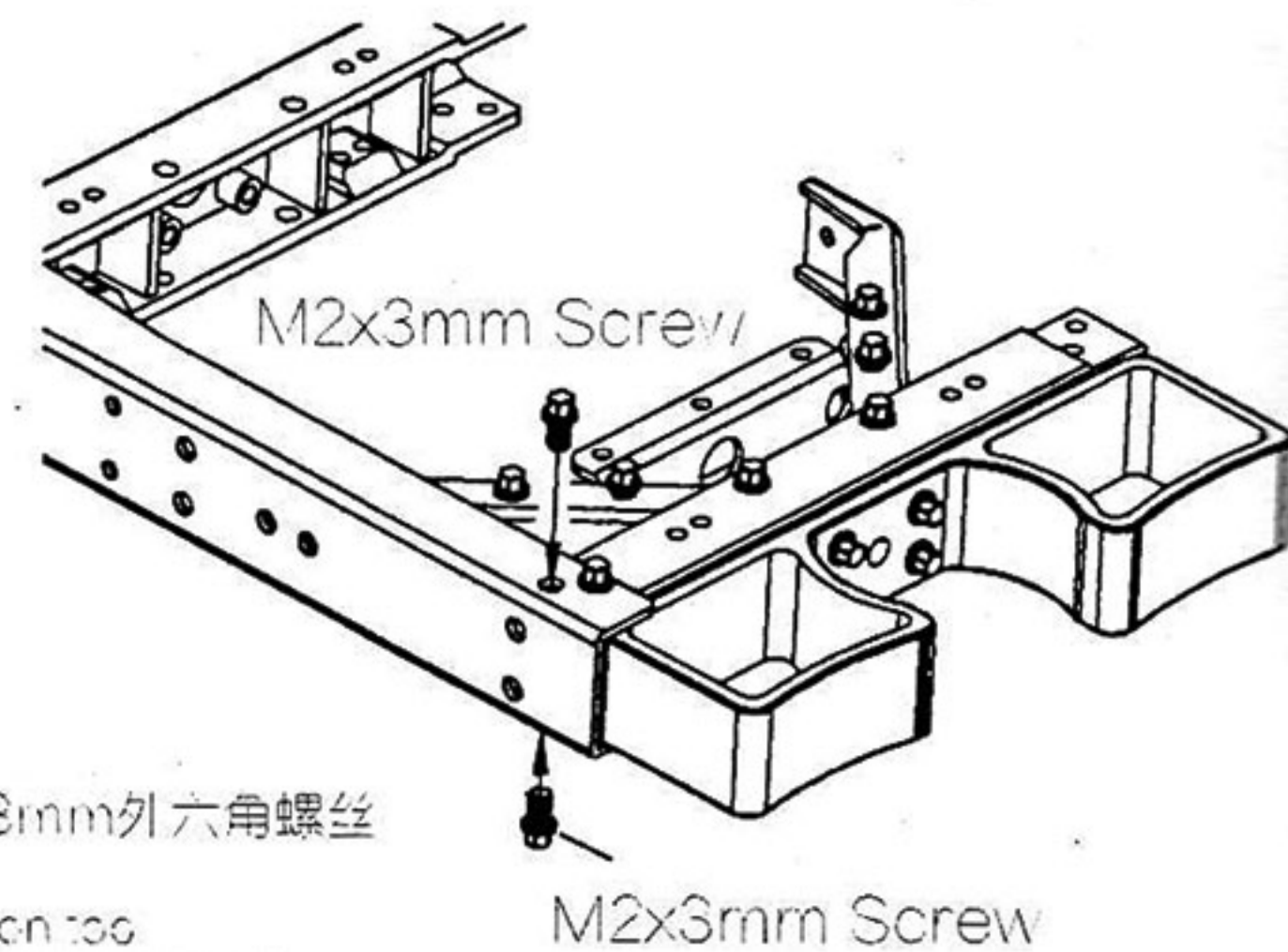


11



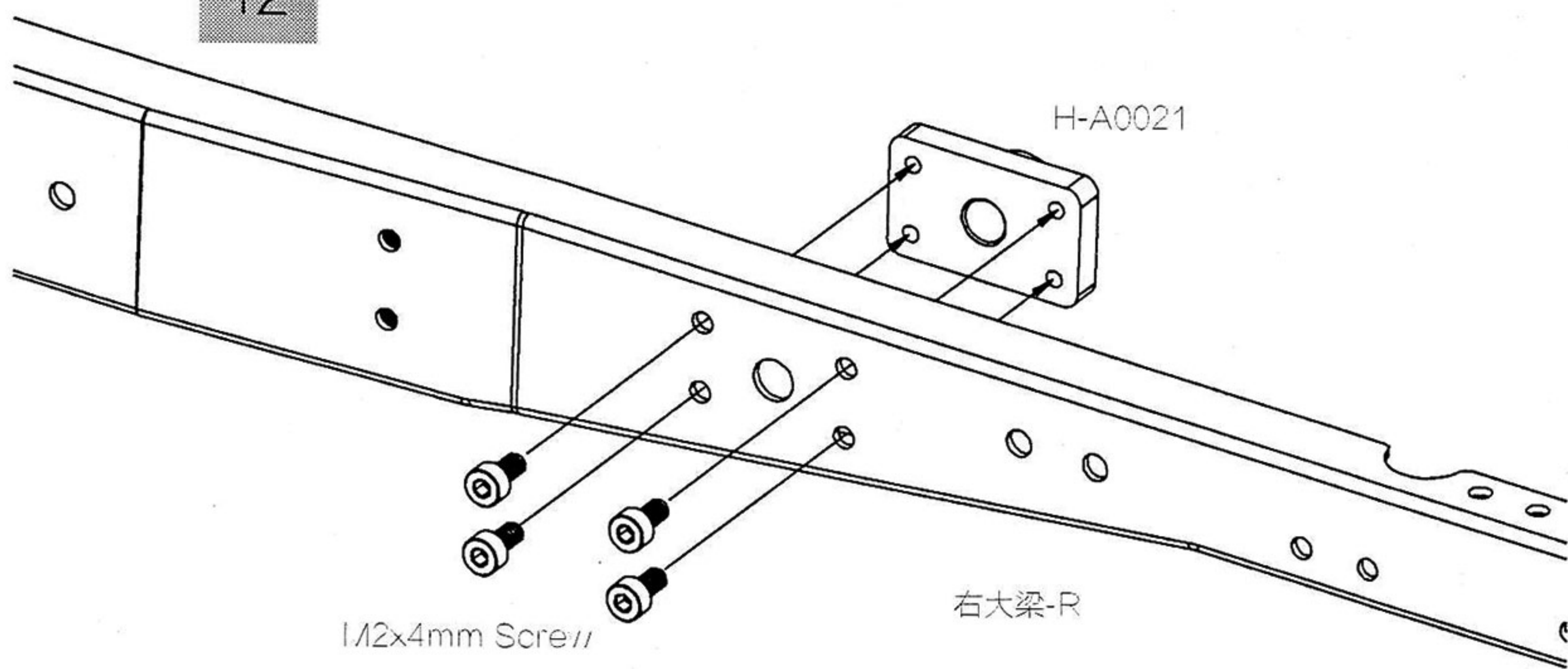
注：最边上的螺丝为M2x3mm外六角螺丝

tips: The screws on top are outer hex M2x3mm screws...

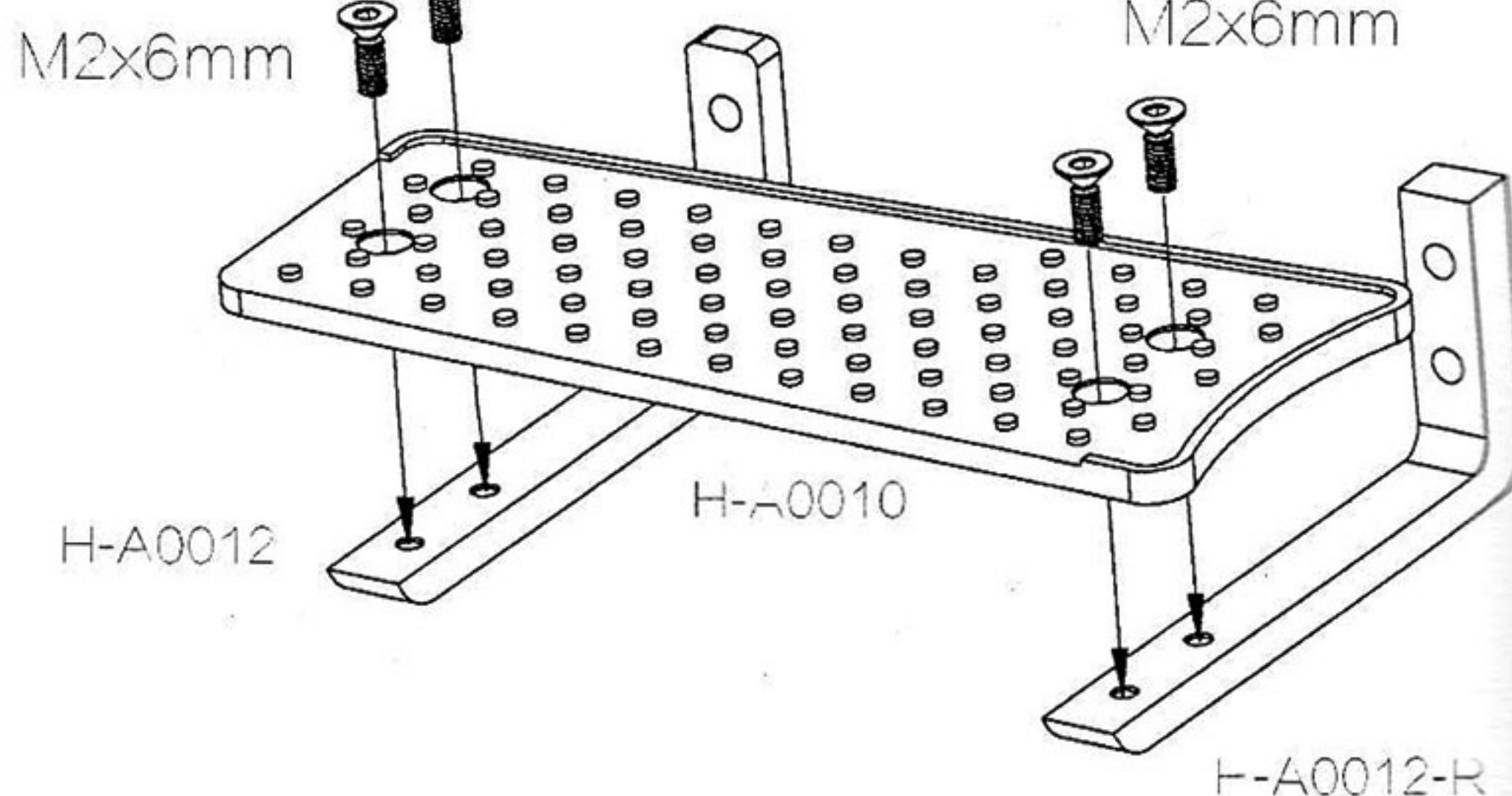


注意安装方向
Attention the correct direction
H-A0008安装在大梁下方

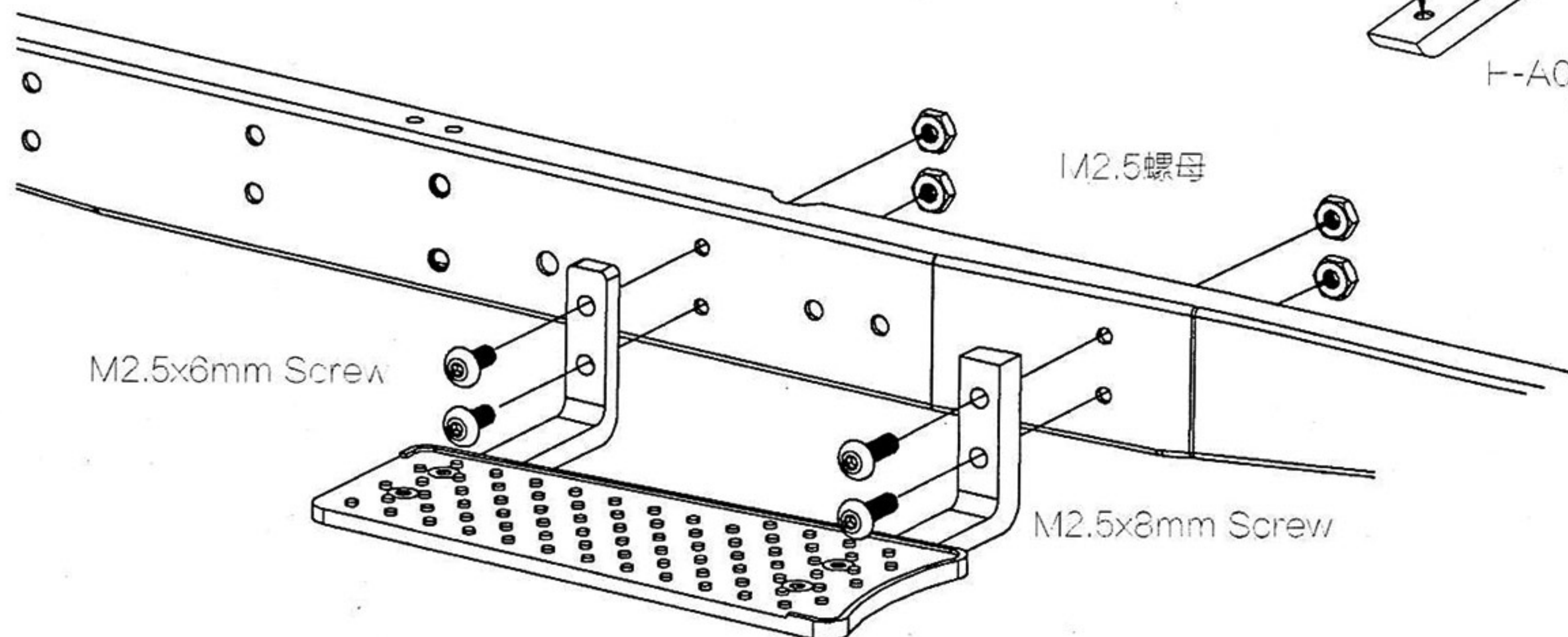
12



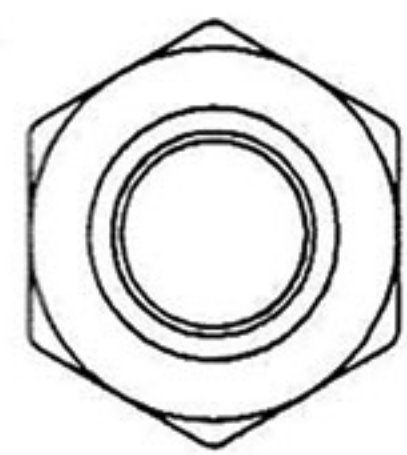
13



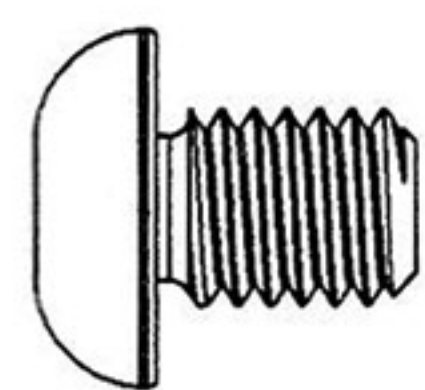
14



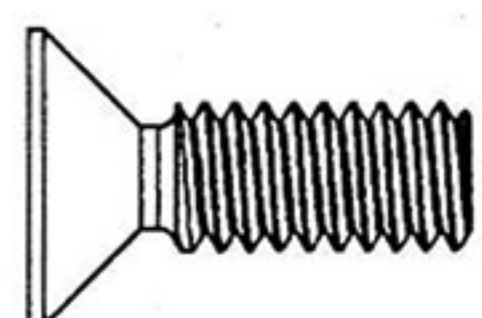
15



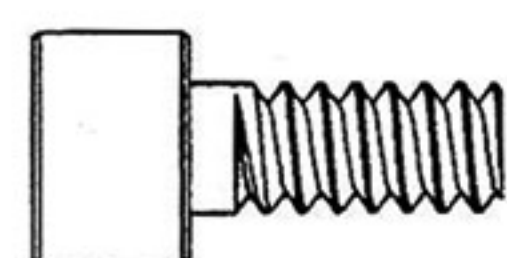
M3螺母 x 4



M3x6mm Screw x 4



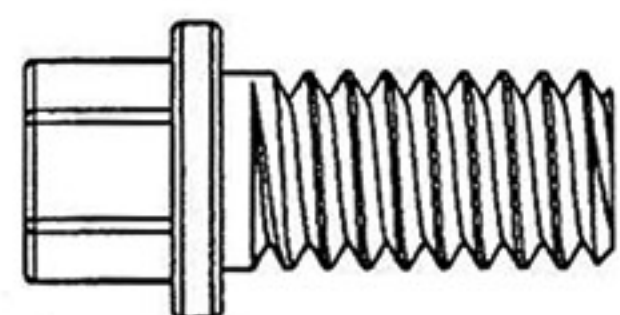
M2x6mm Screw x 8



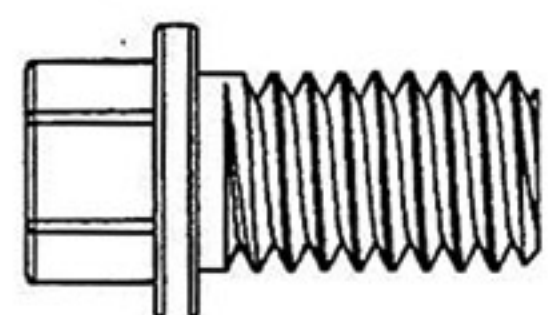
M2x6mm Screw x 4



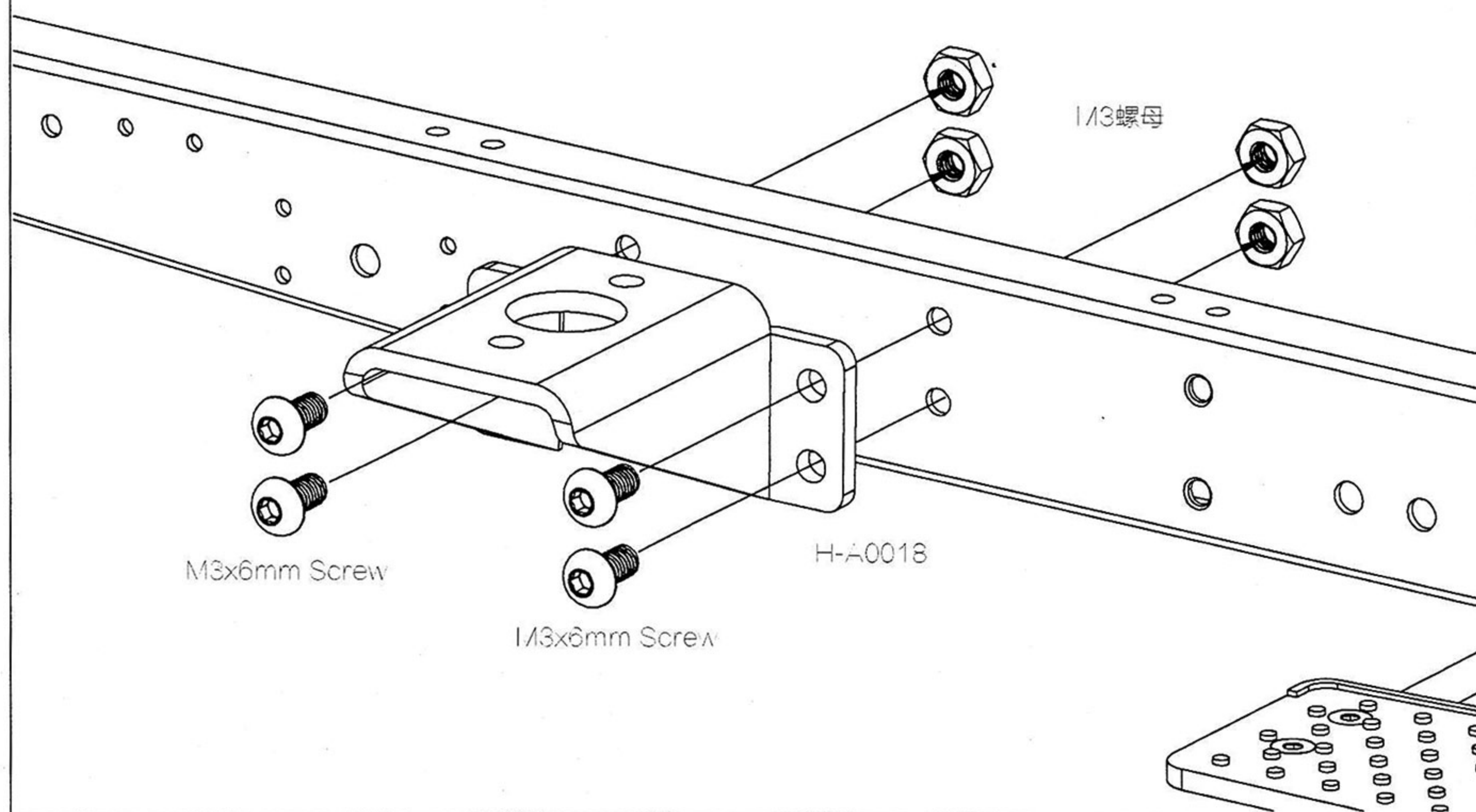
M2螺母 x 4



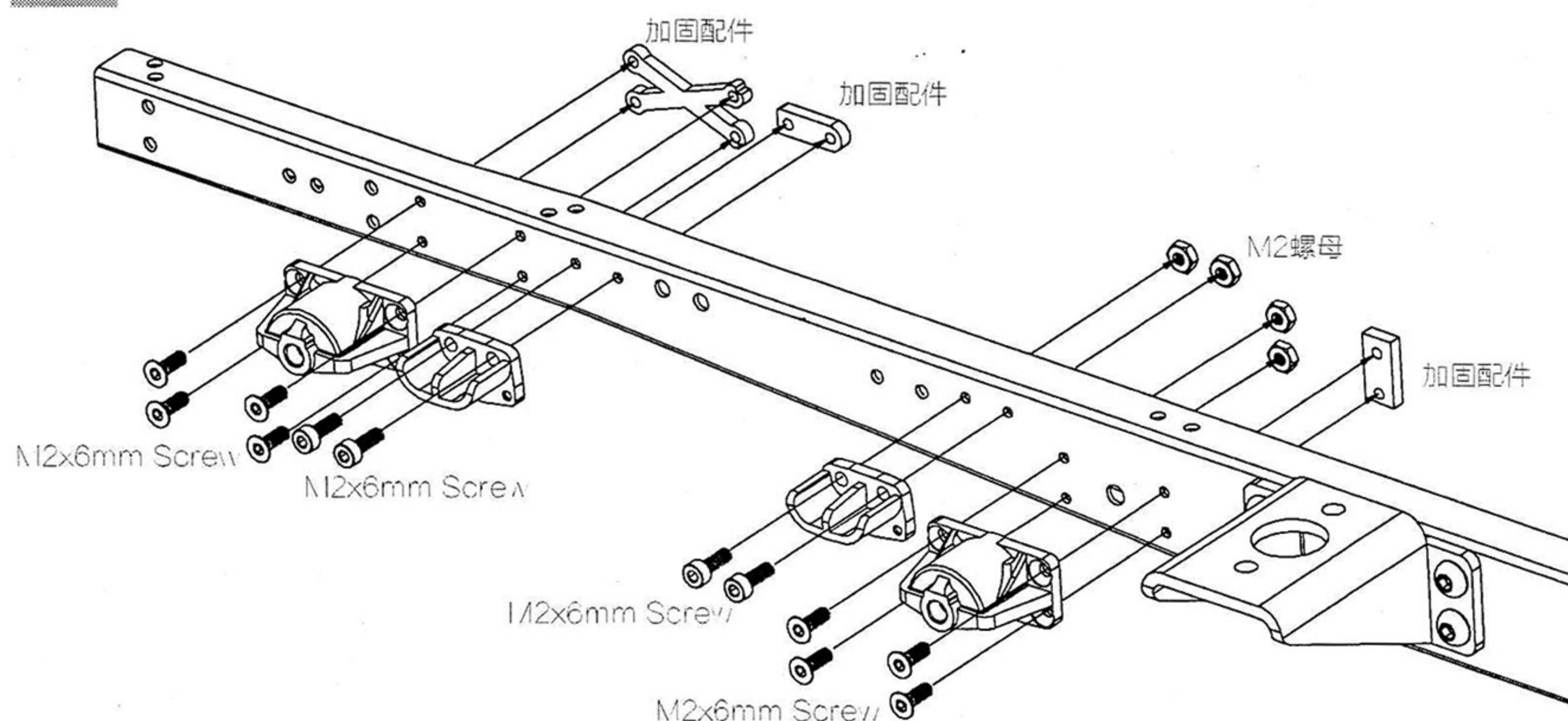
M2x4mm Screw x 7



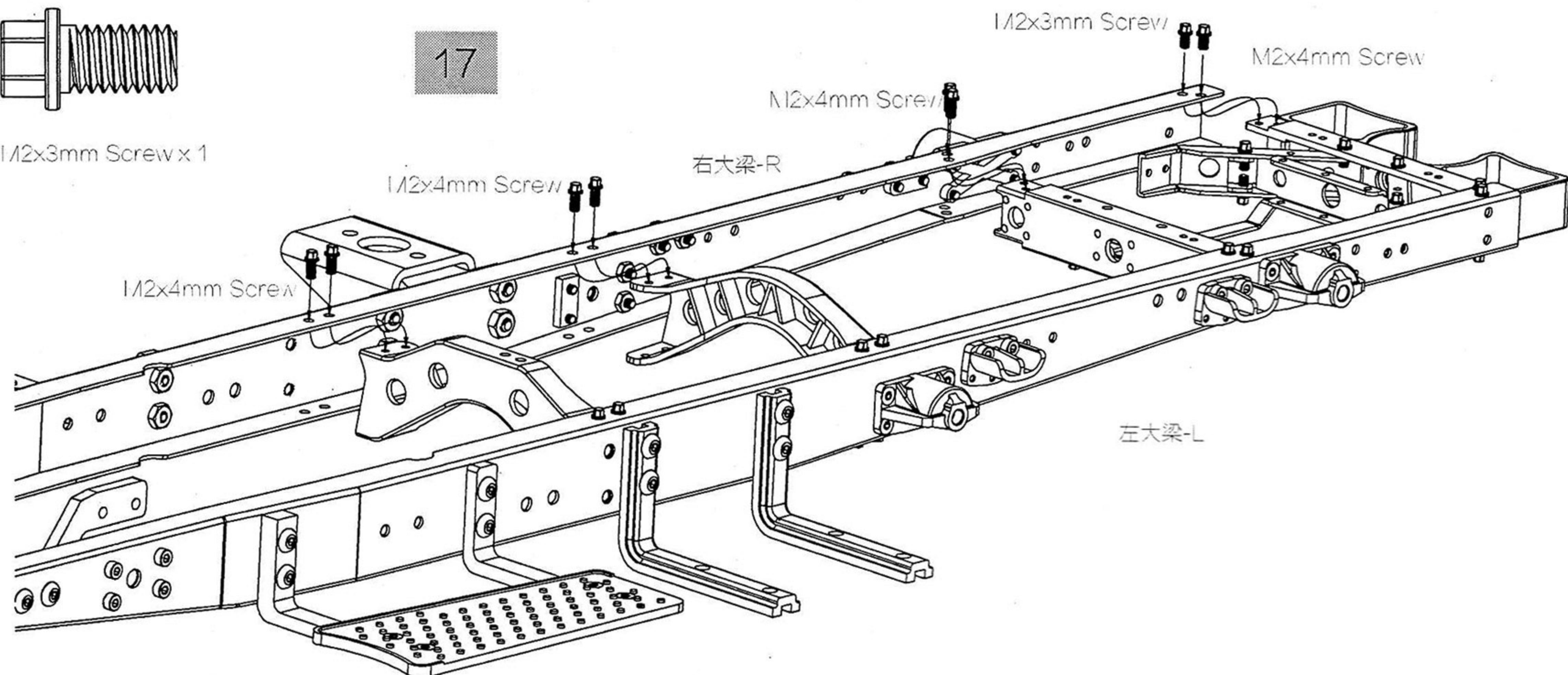
M2x3mm Screw x 1



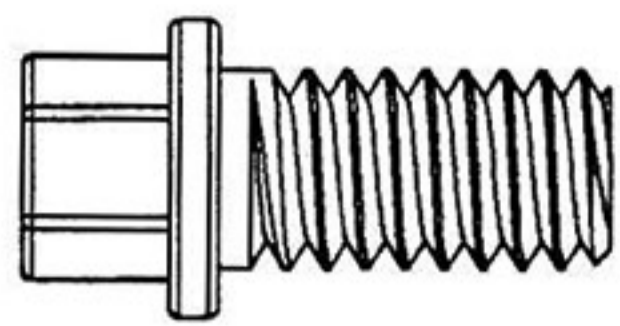
16



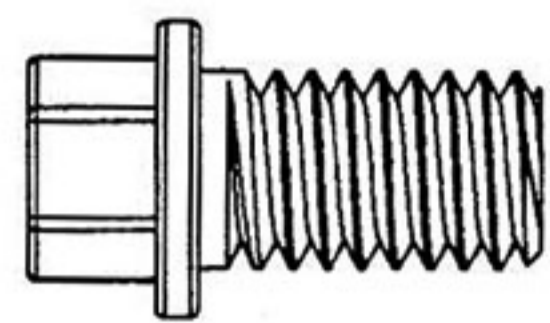
17



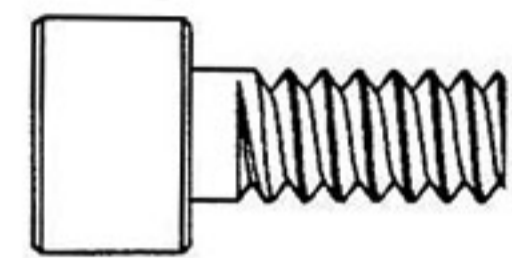
18



M2x4mm Screw x 10

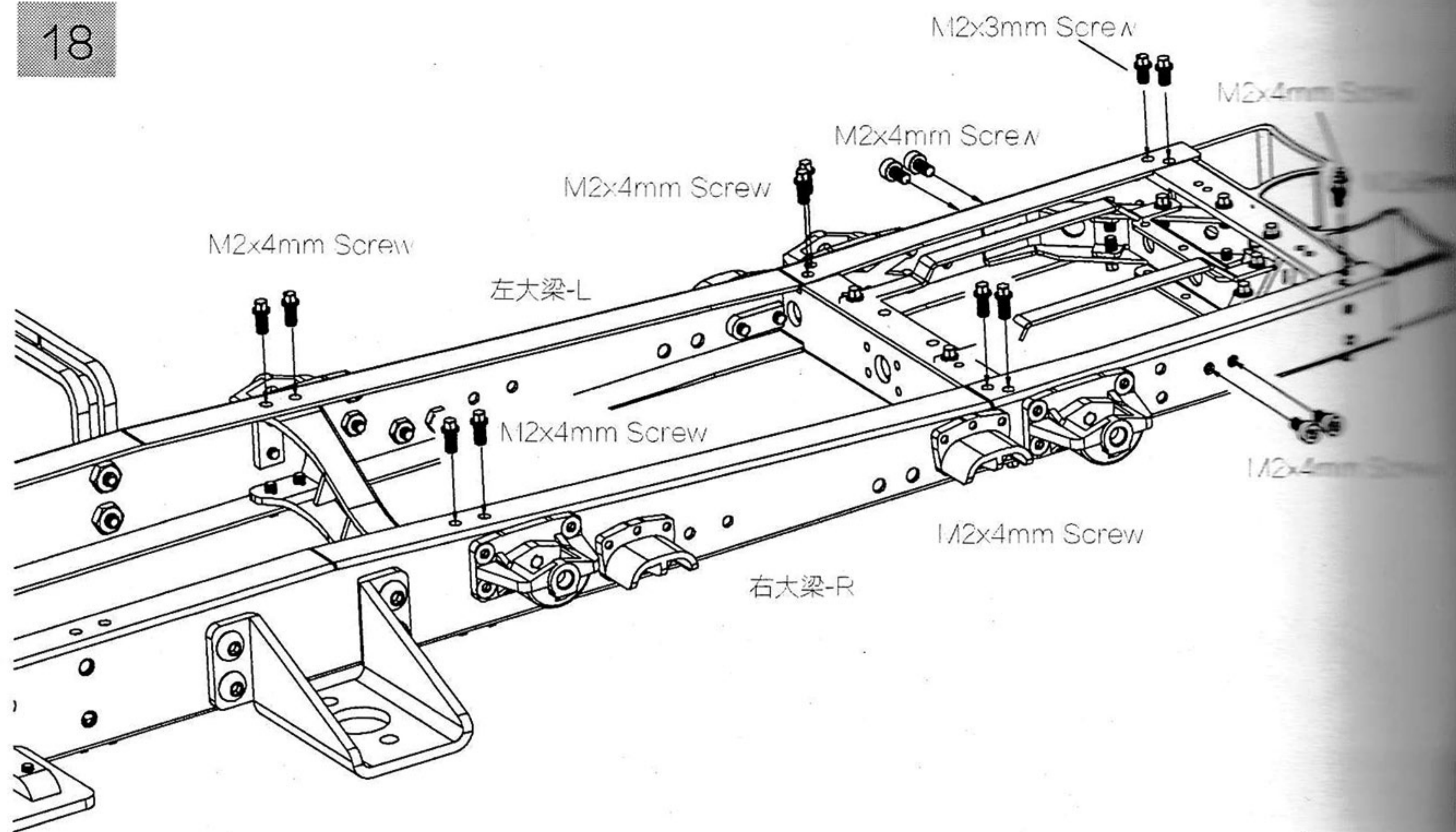


M2x3mm Screw x 2

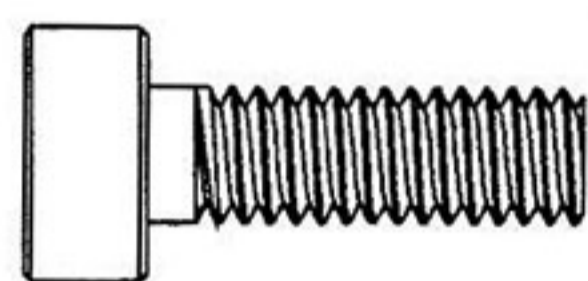


M2x4mm Screw x 4

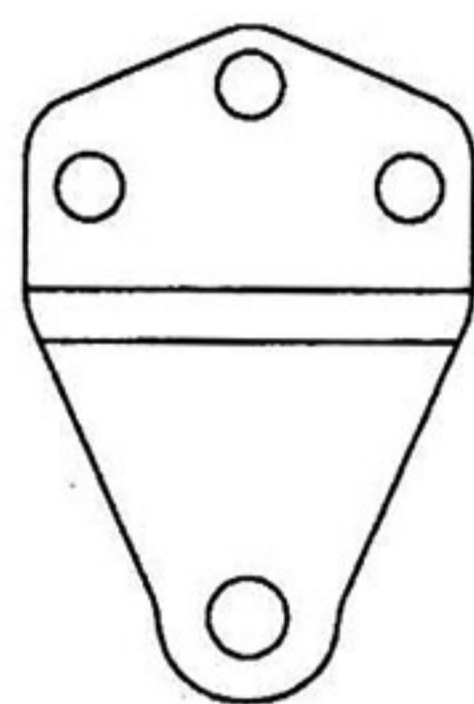
18



19

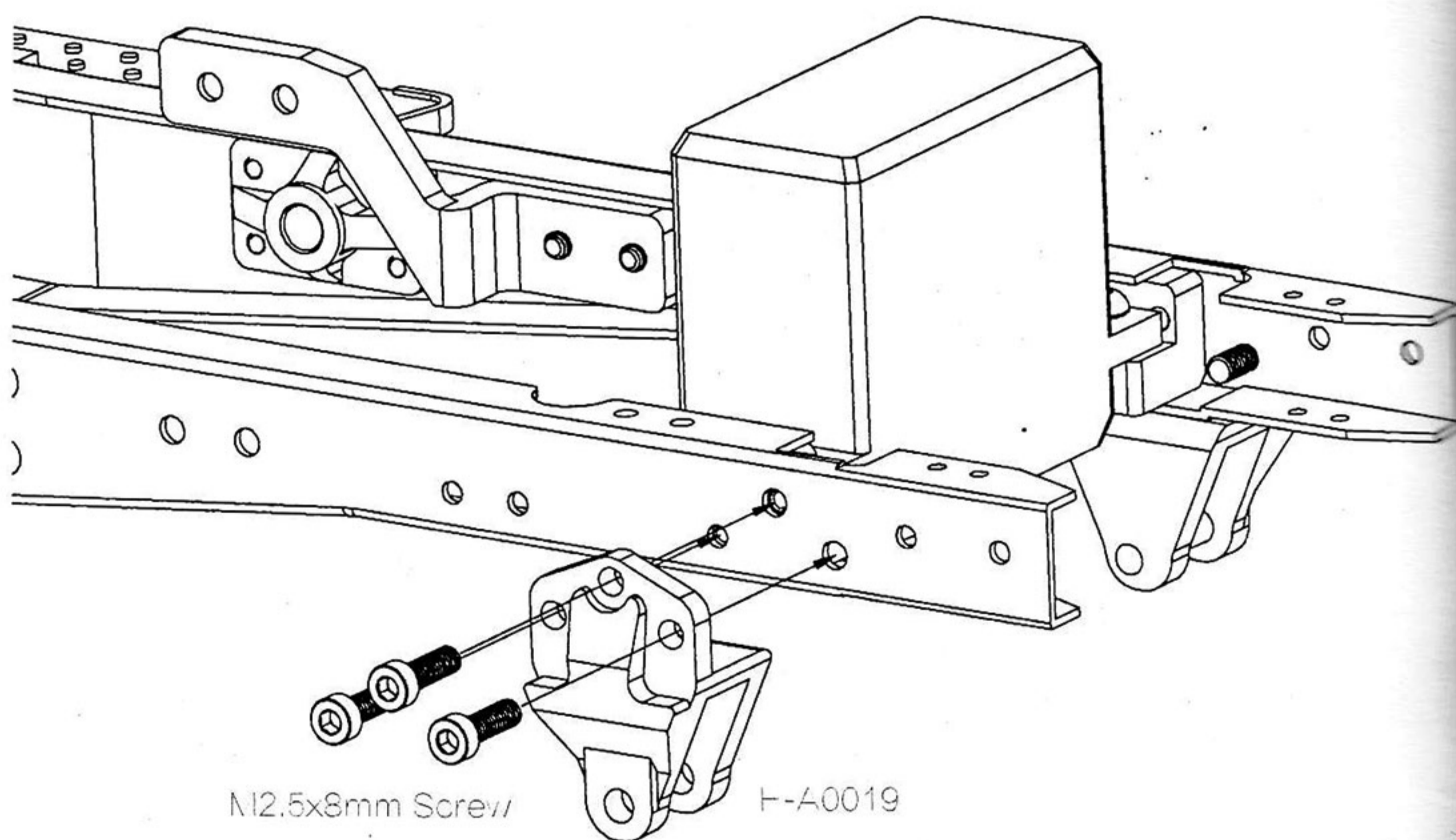


1/2.5x8mm Screw x 3

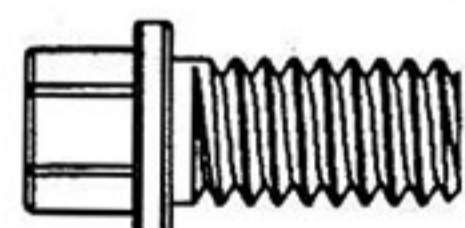


H-A0019

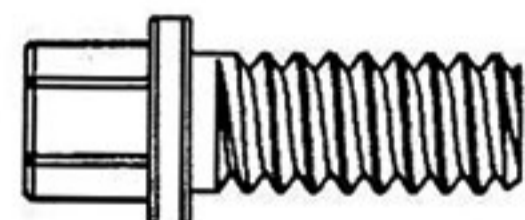
19



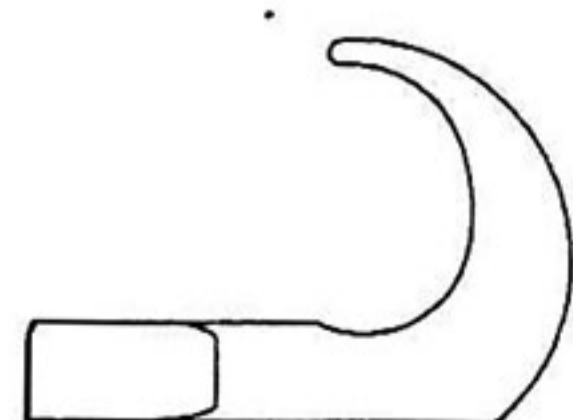
20



1/2x4mm Screw x 4

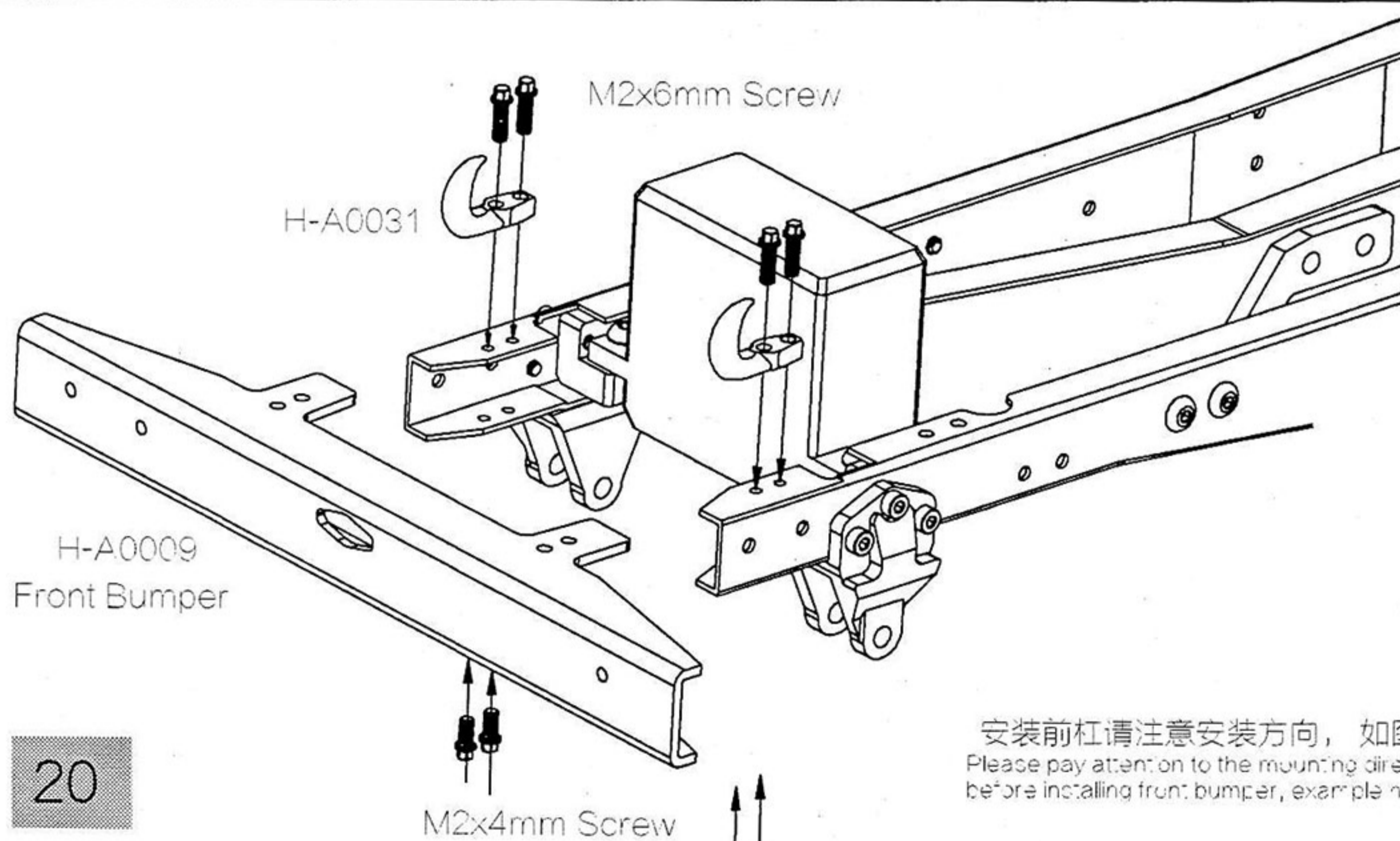


1/2x6mm Screw x 4



H-A0031 x 2

20

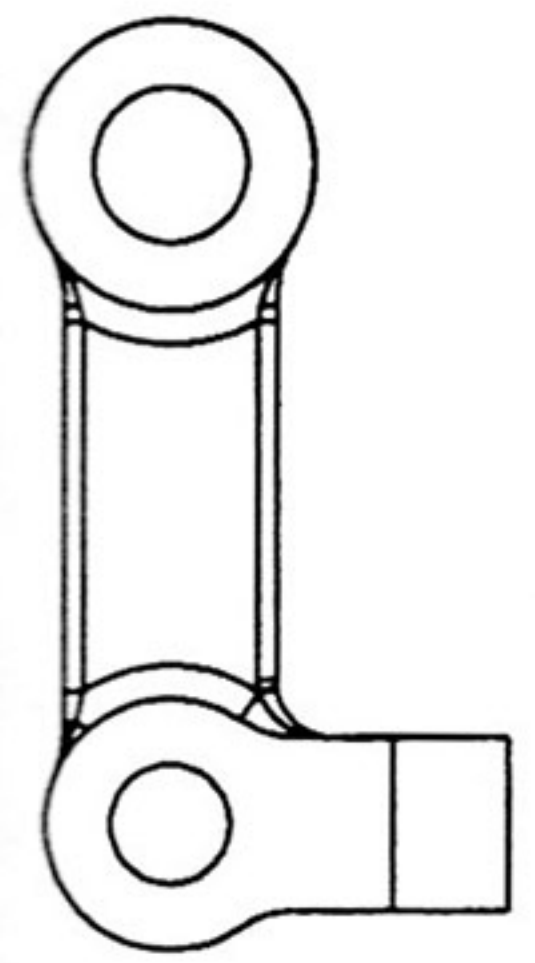
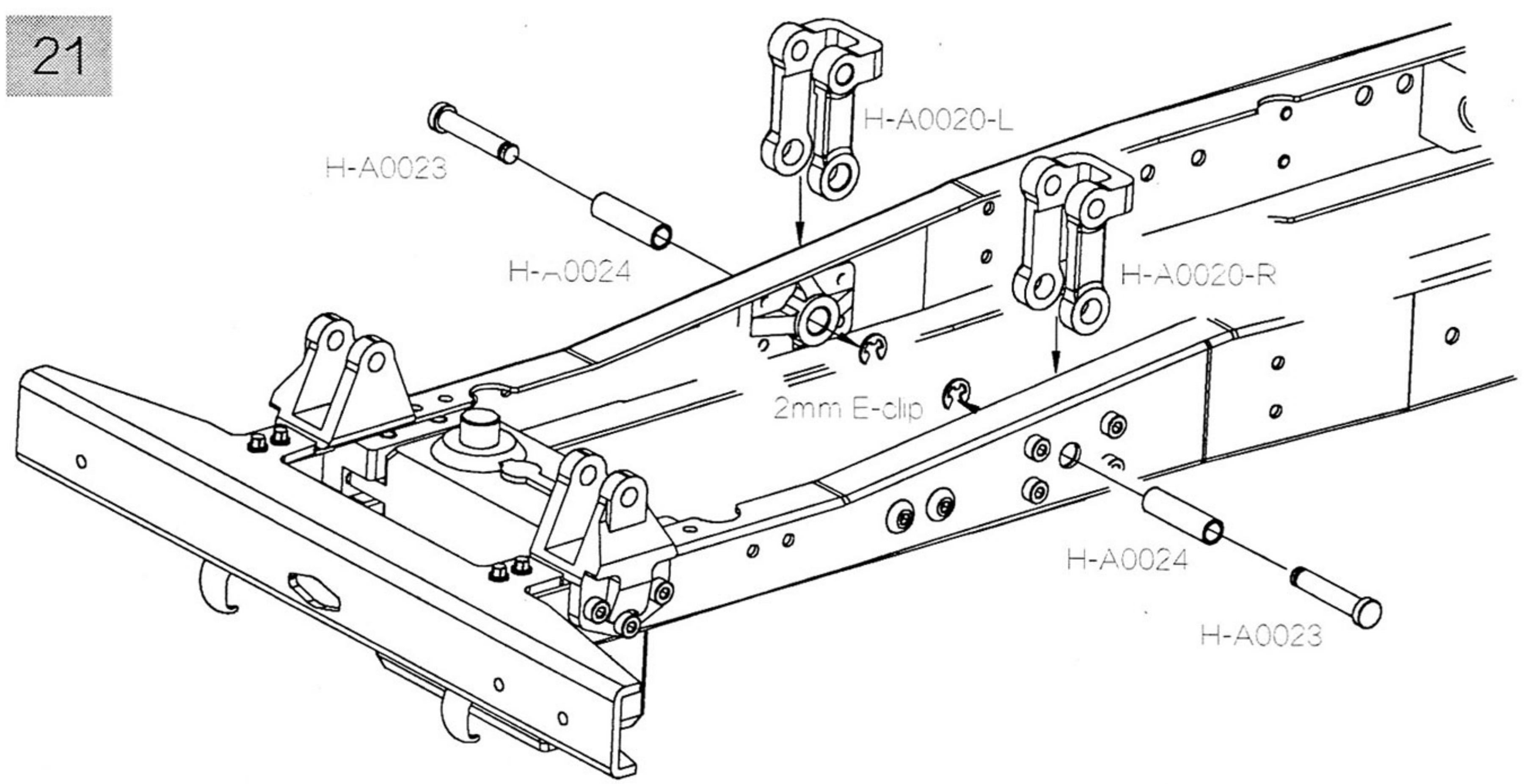


安装前杠请注意安装方向，如图：
Please pay attention to the mounting direction
before installing front bumper, example here:

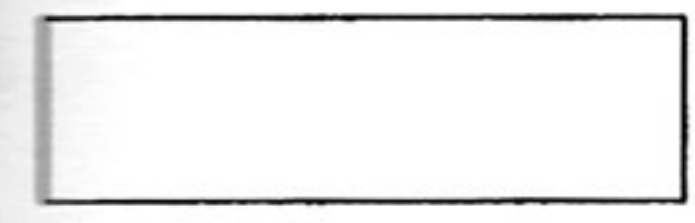
注意安装方向
Attention to the correct direction

绞盘孔在上方
The winch hole on top.

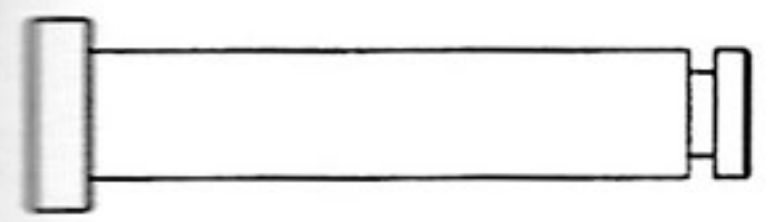
21



H-A0020-L/R x 2

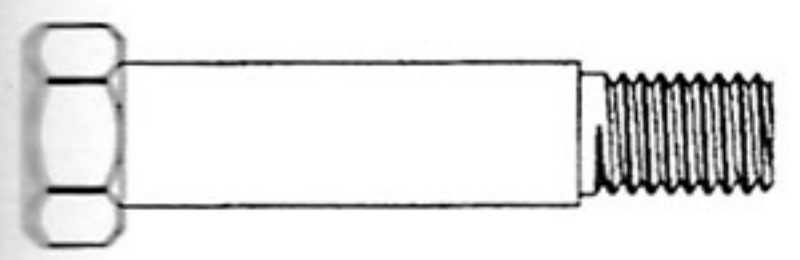
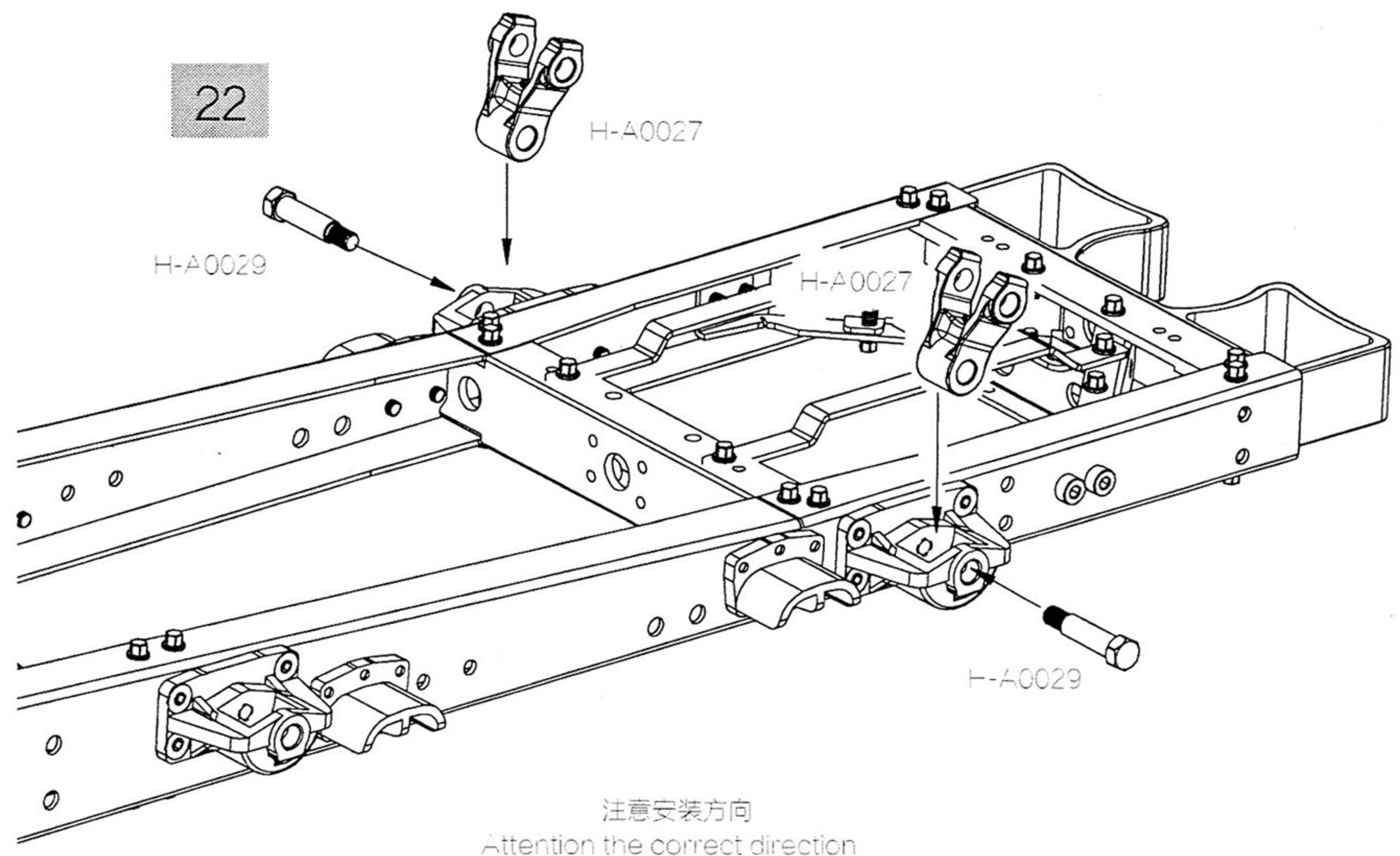


H-A0024 x 2

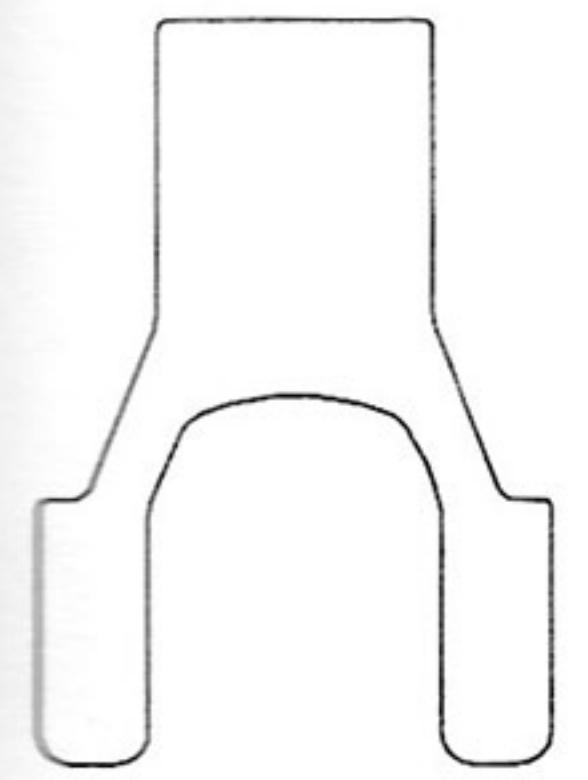


H-A0023 x 2

22

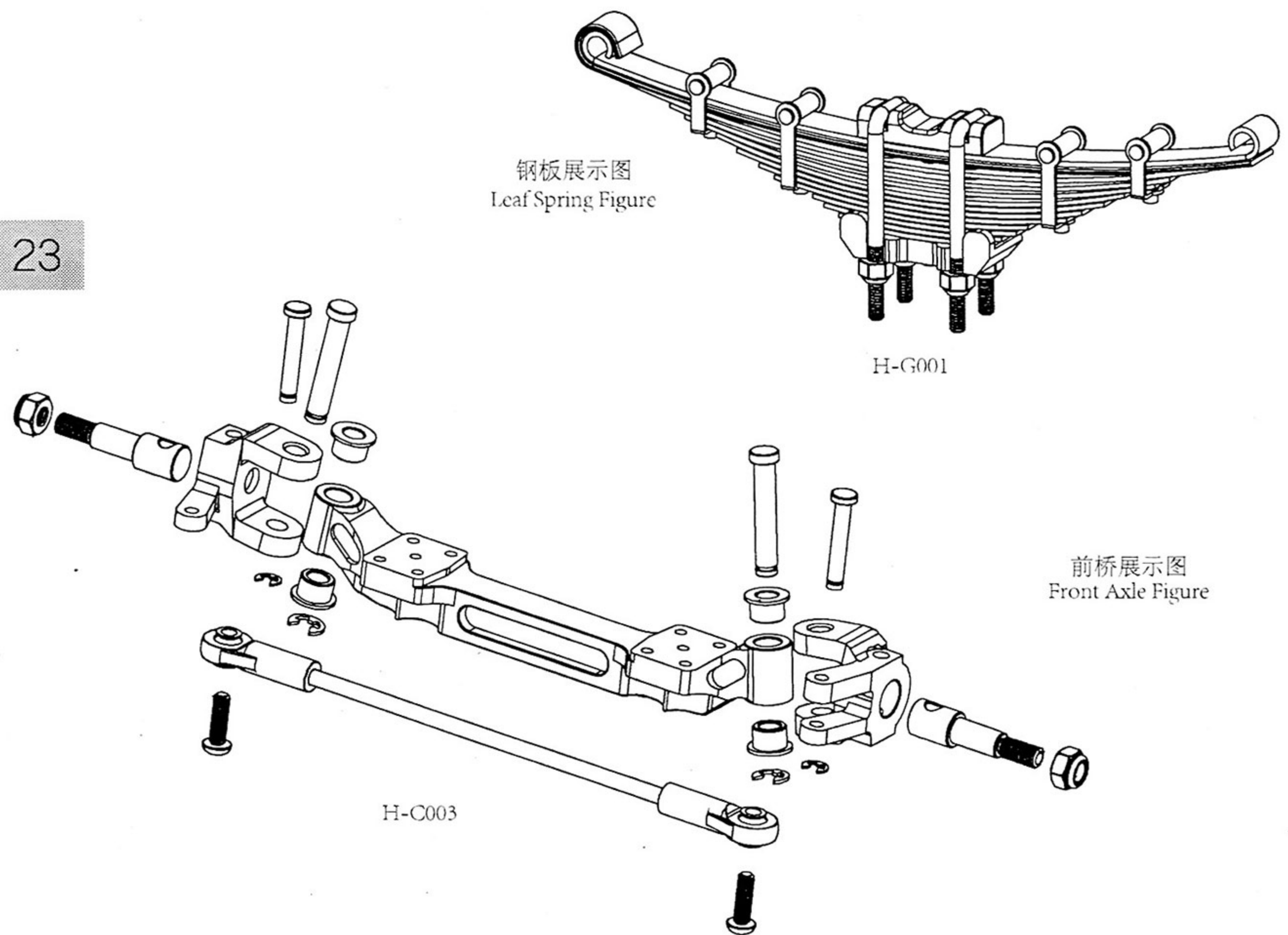


H-A0029 x 2

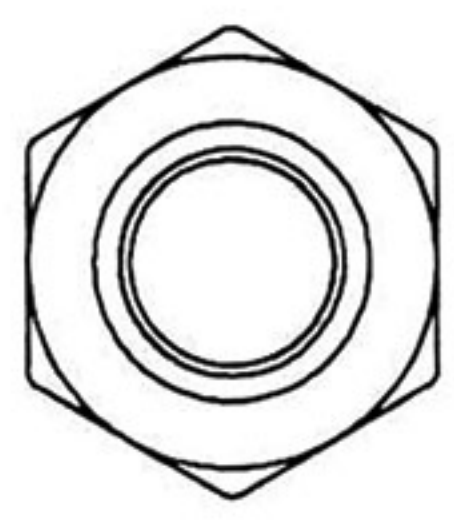


H-A0027 x 2

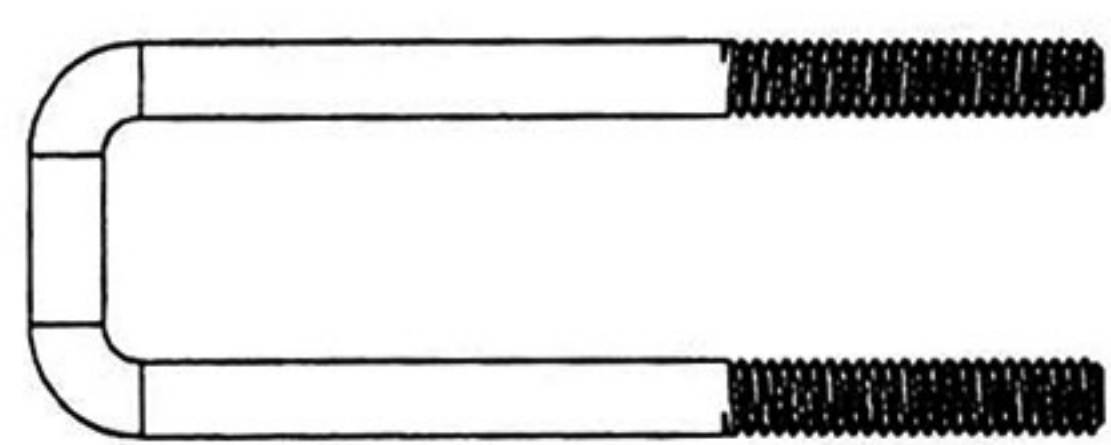
23



24

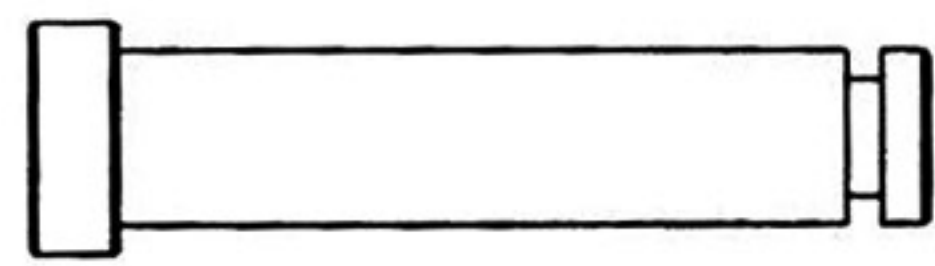


M2x4mm Locknut x 8

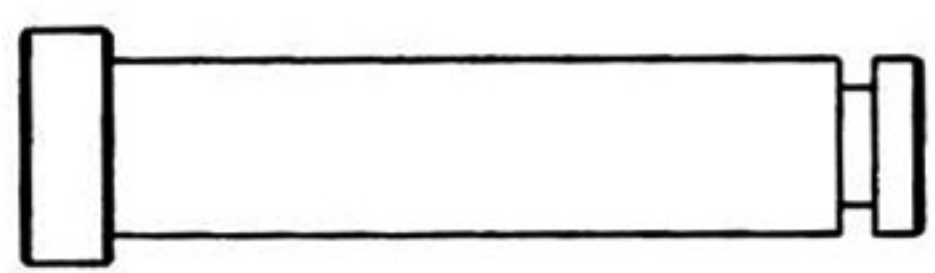


H-G001-001 x4

25



F-A0022 x 2



H-A0023 x 2

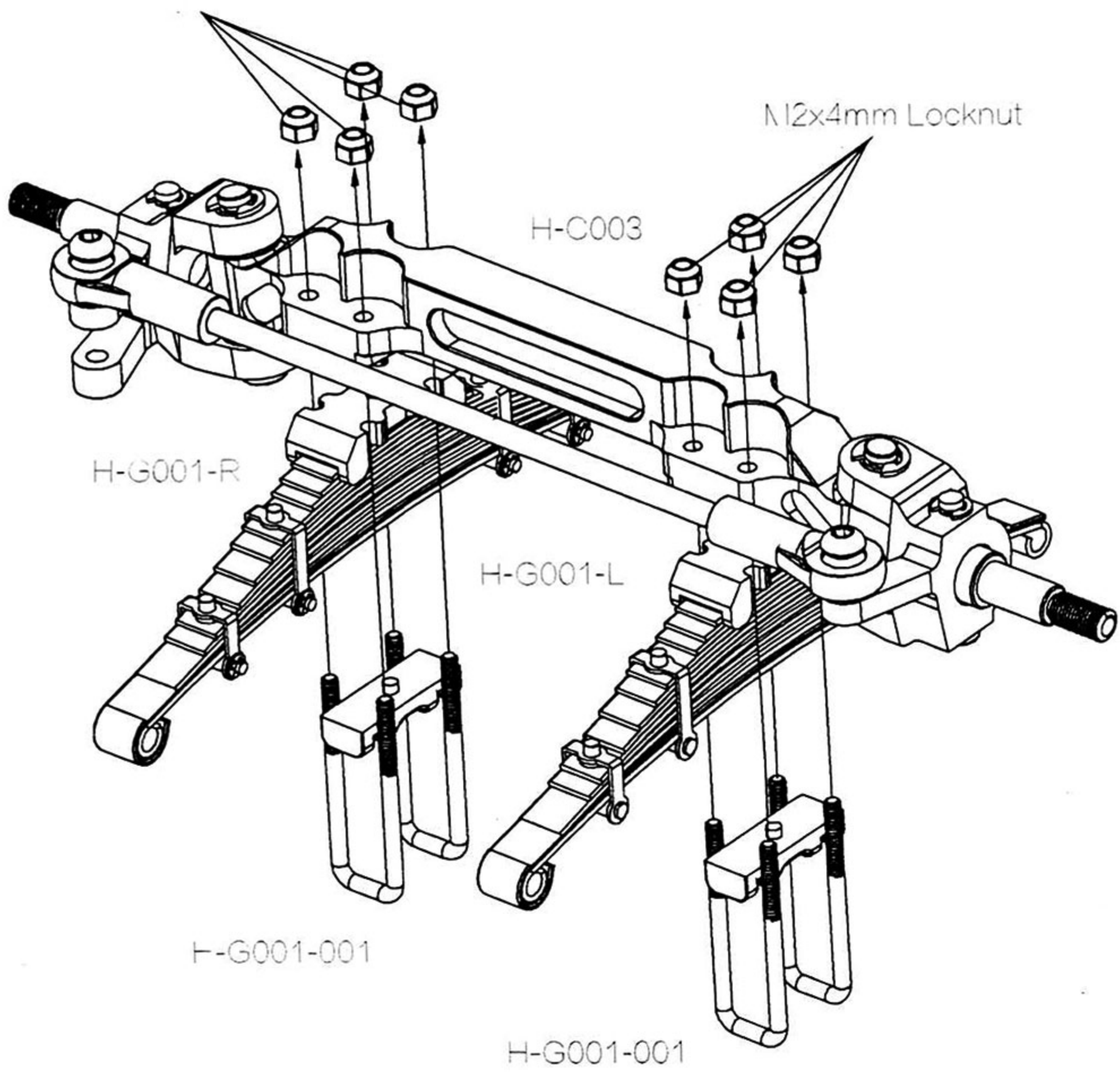


2mm E-clip x4

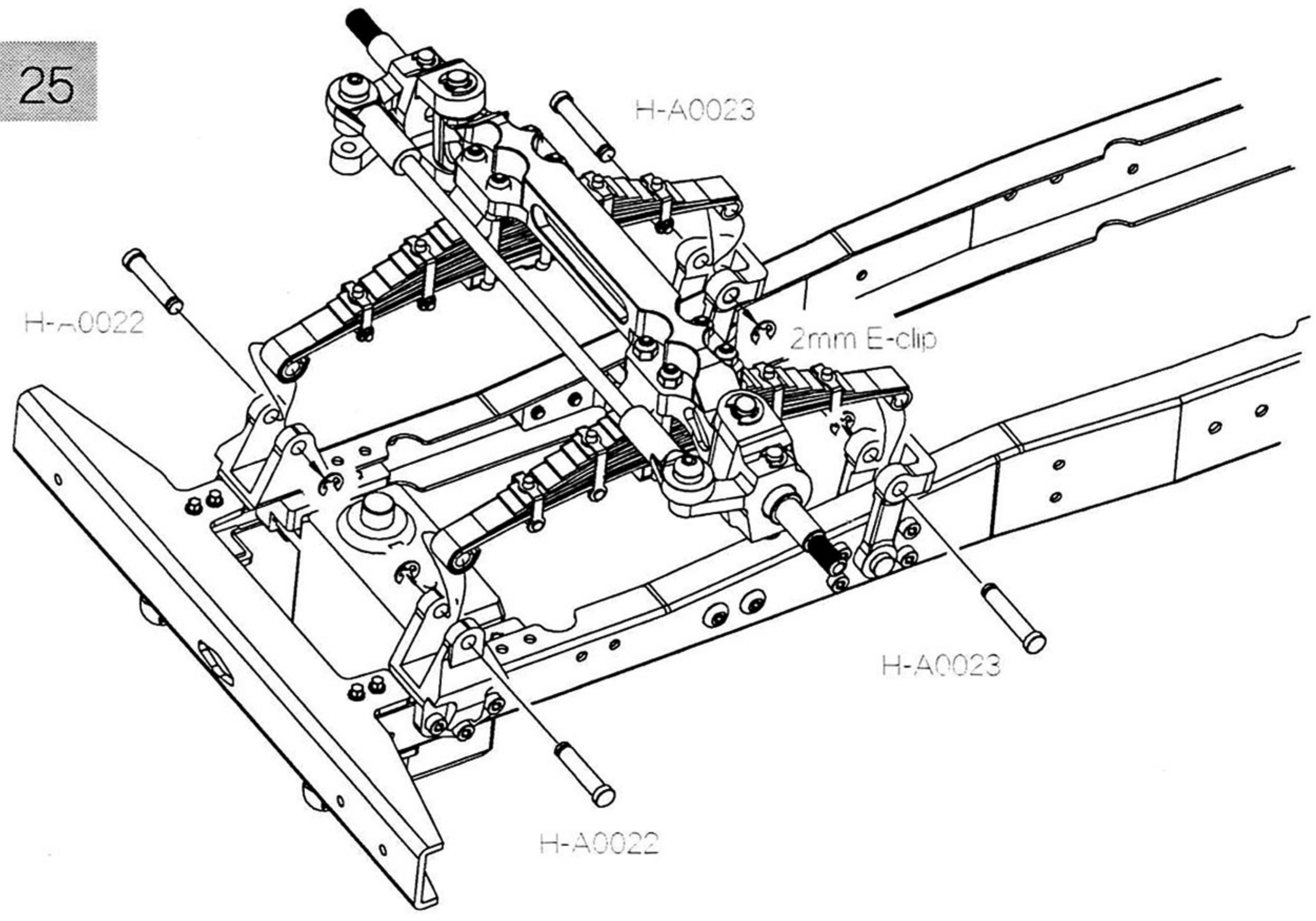
26

24

M2x4mm Locknut

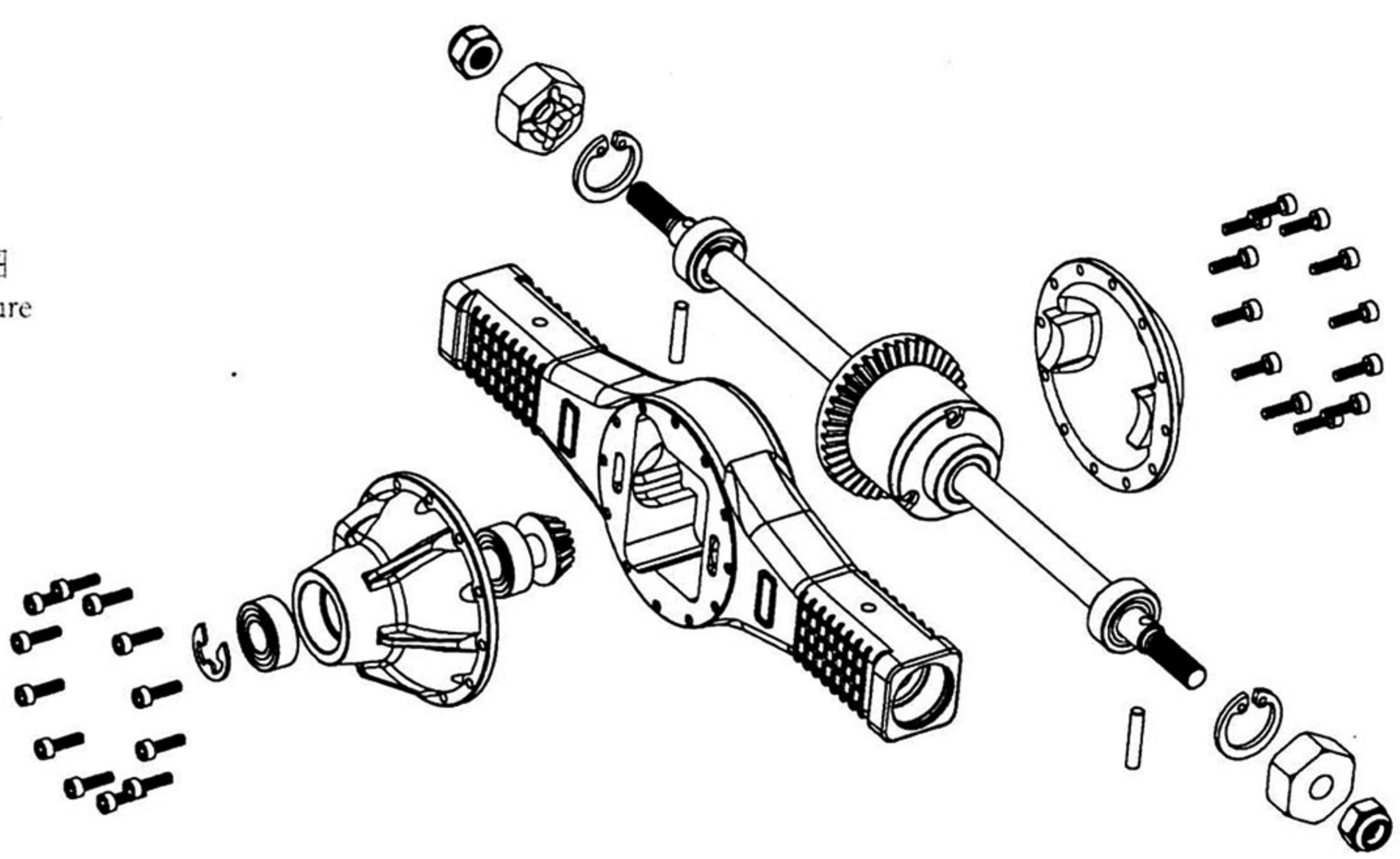


25



26

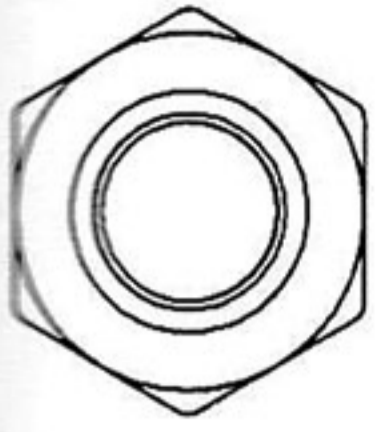
后桥展示图
Rear Axle Figure
H-C002



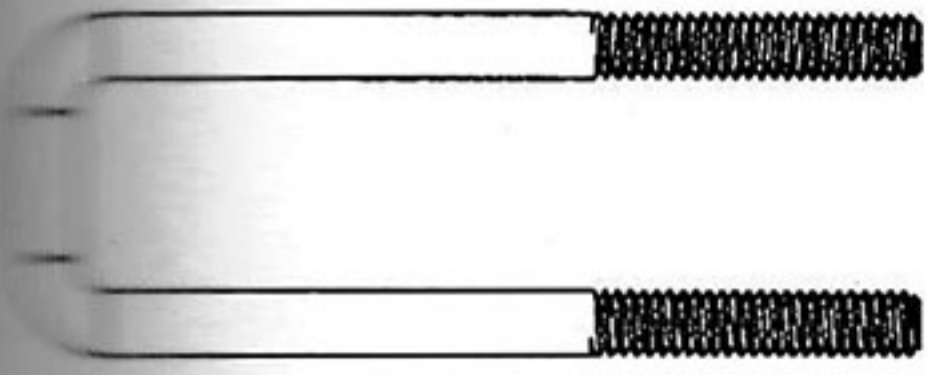
27

M2x4mm Locknut

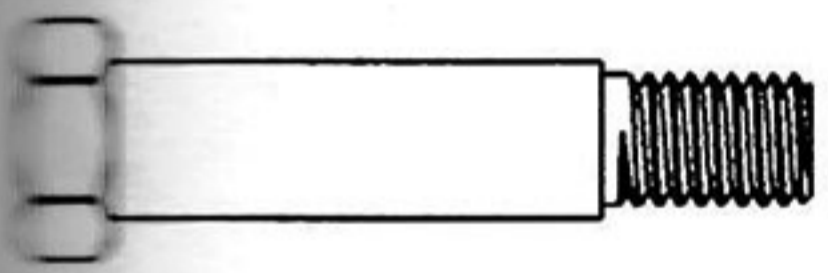
钢板展示图
Leaf Spring Figure
H-G002



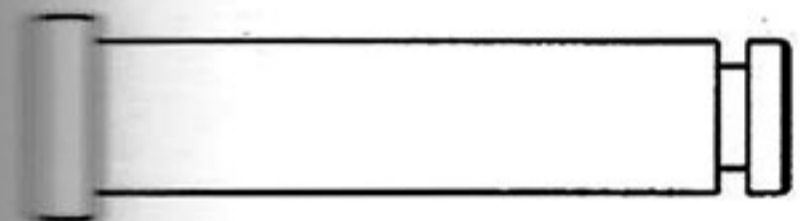
M2x4mm Locknut x 8



H-G002-001 x 4



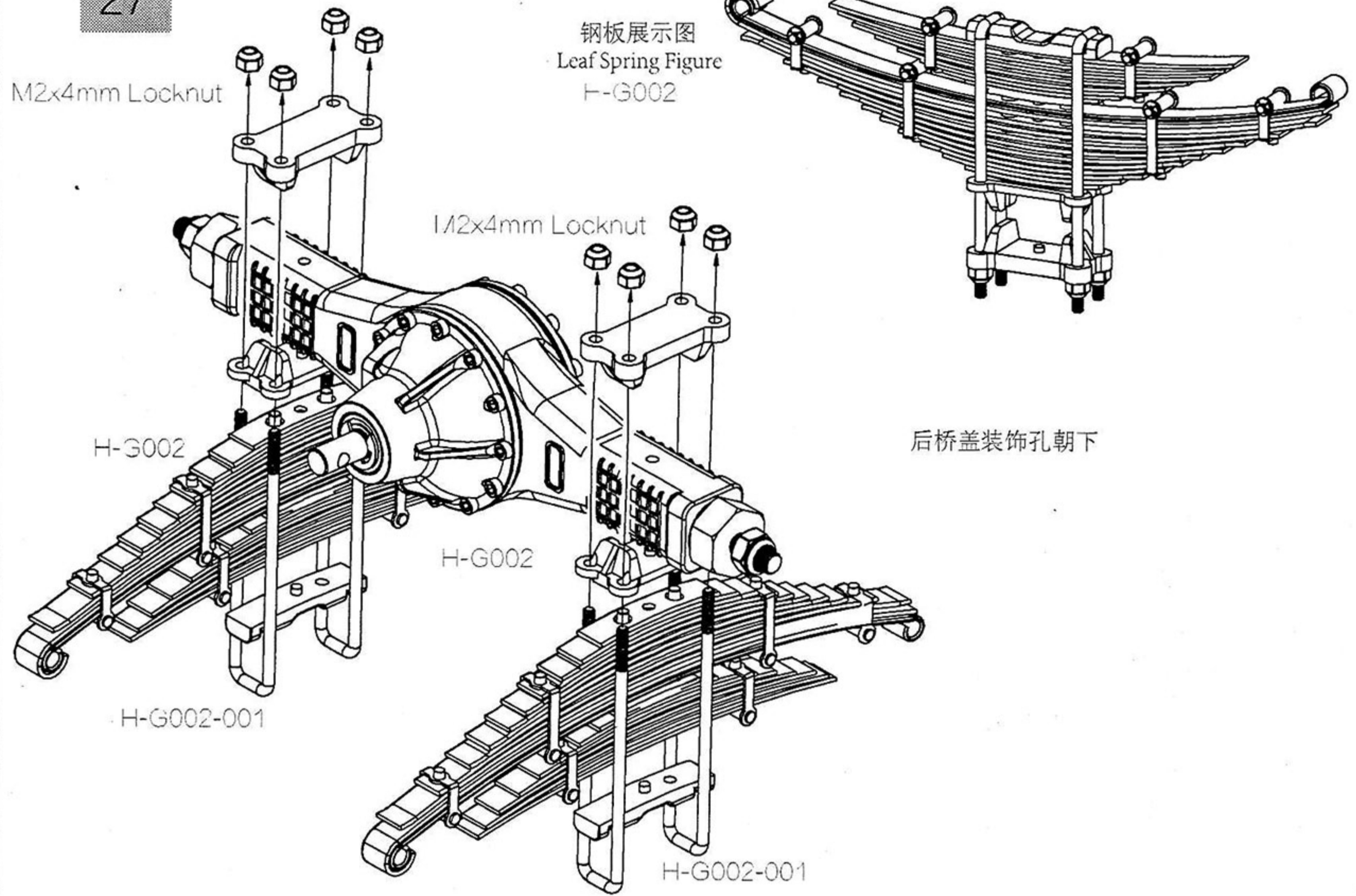
H-40029 x 2



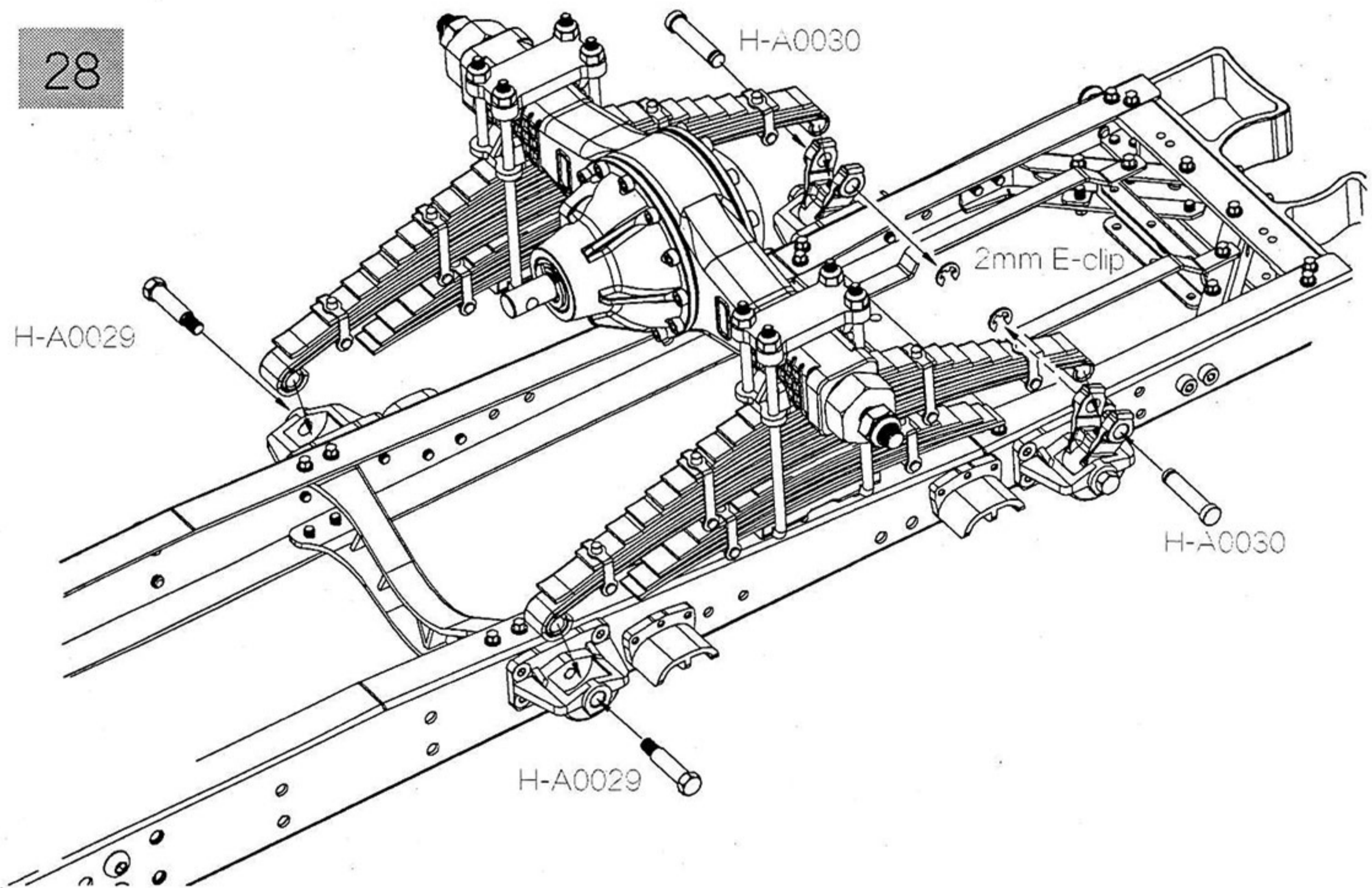
H-A0030 x 2



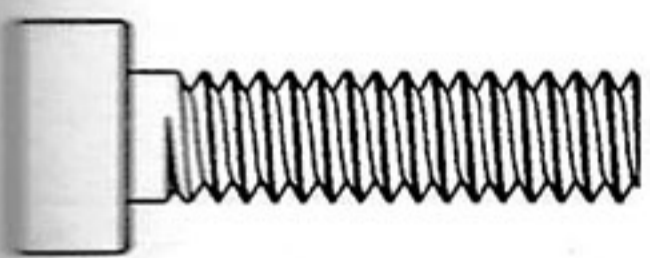
2mm E-clip x 2



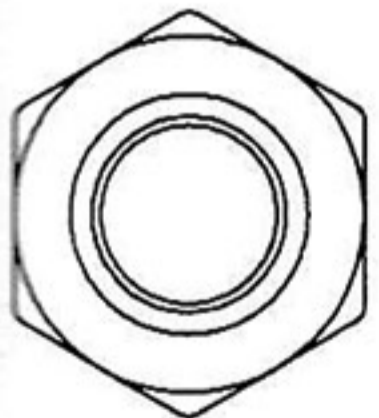
28



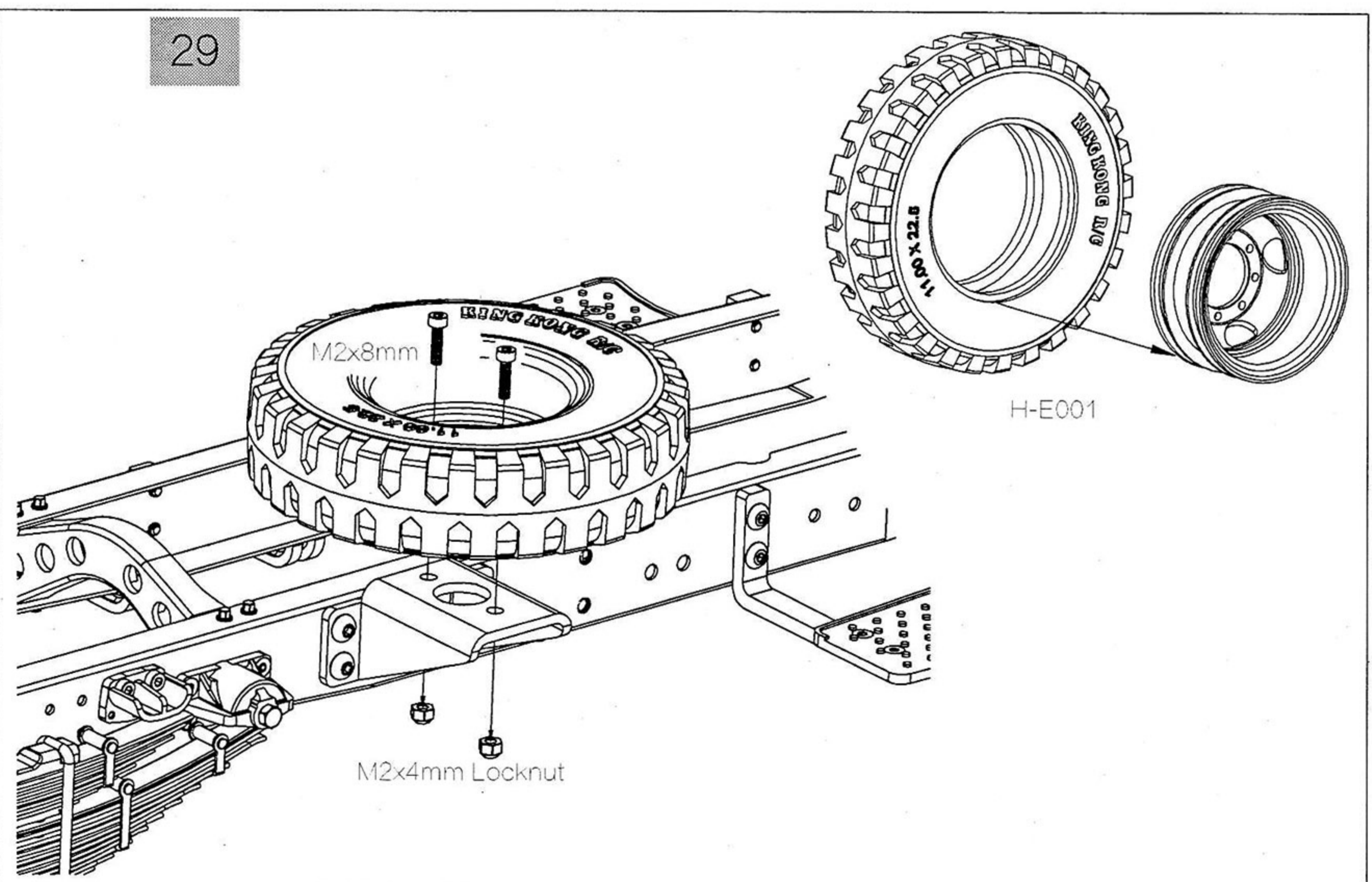
29



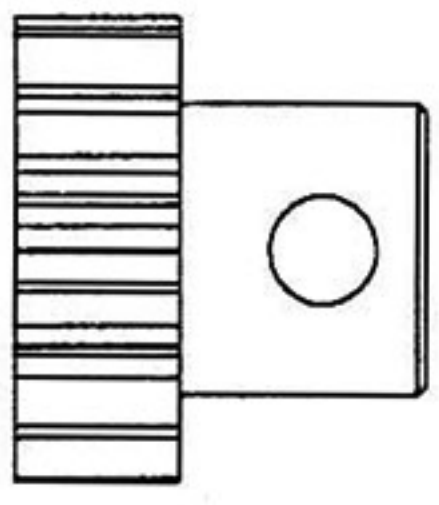
M2x8mm Screw x 2



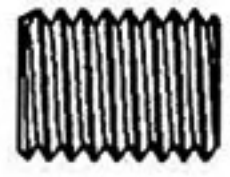
M2x4mm Locknut x 2



30

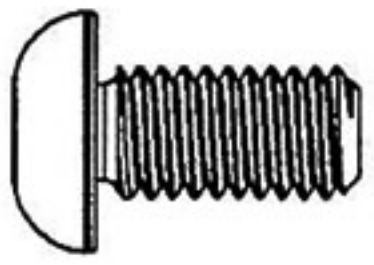


14T Pinion Gear



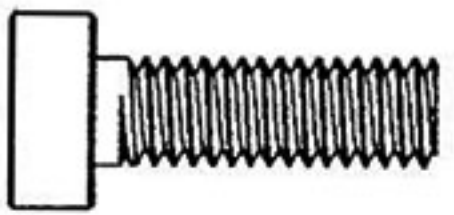
M3 Set Screw

31



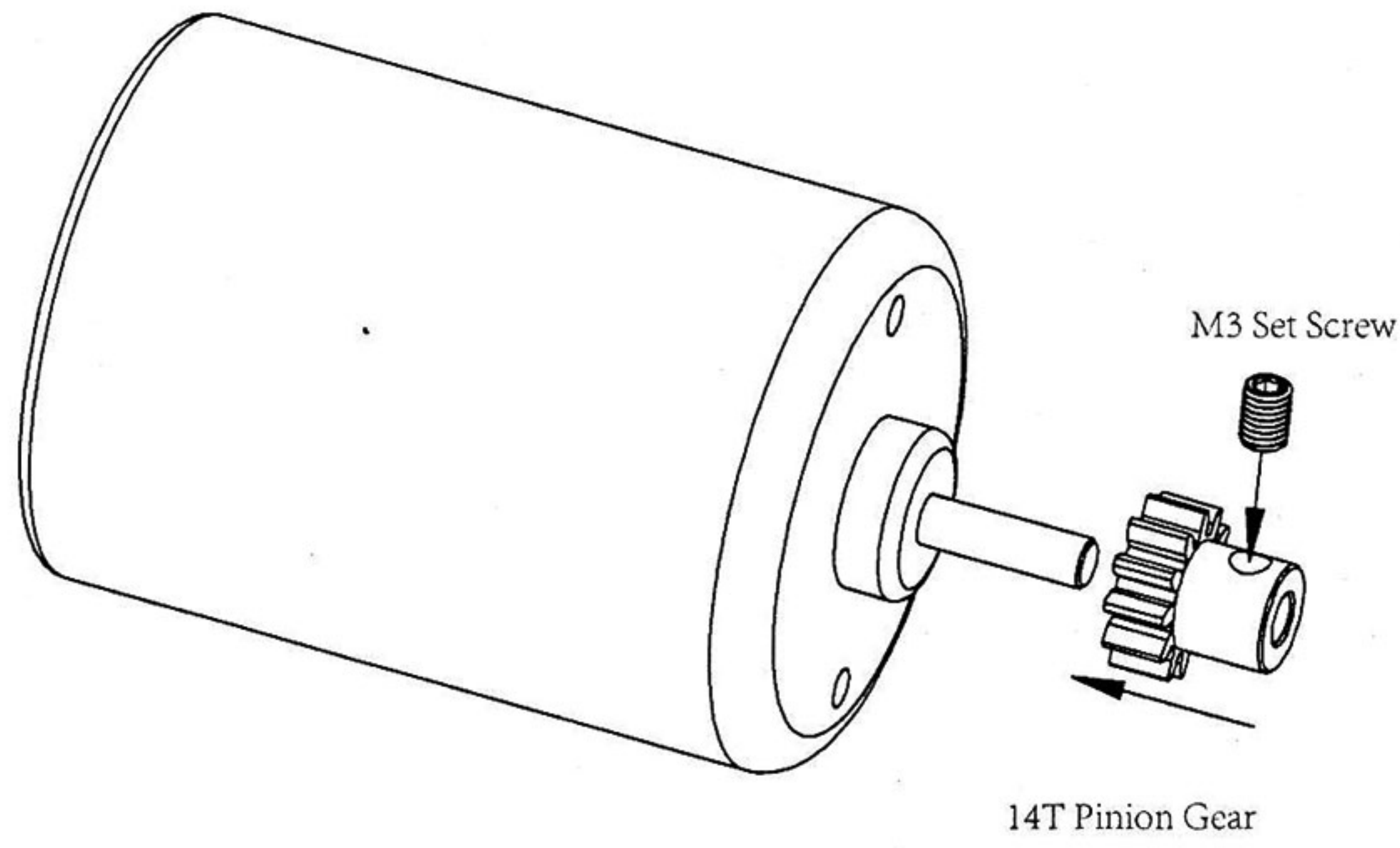
M3x6mm Screw x2

32



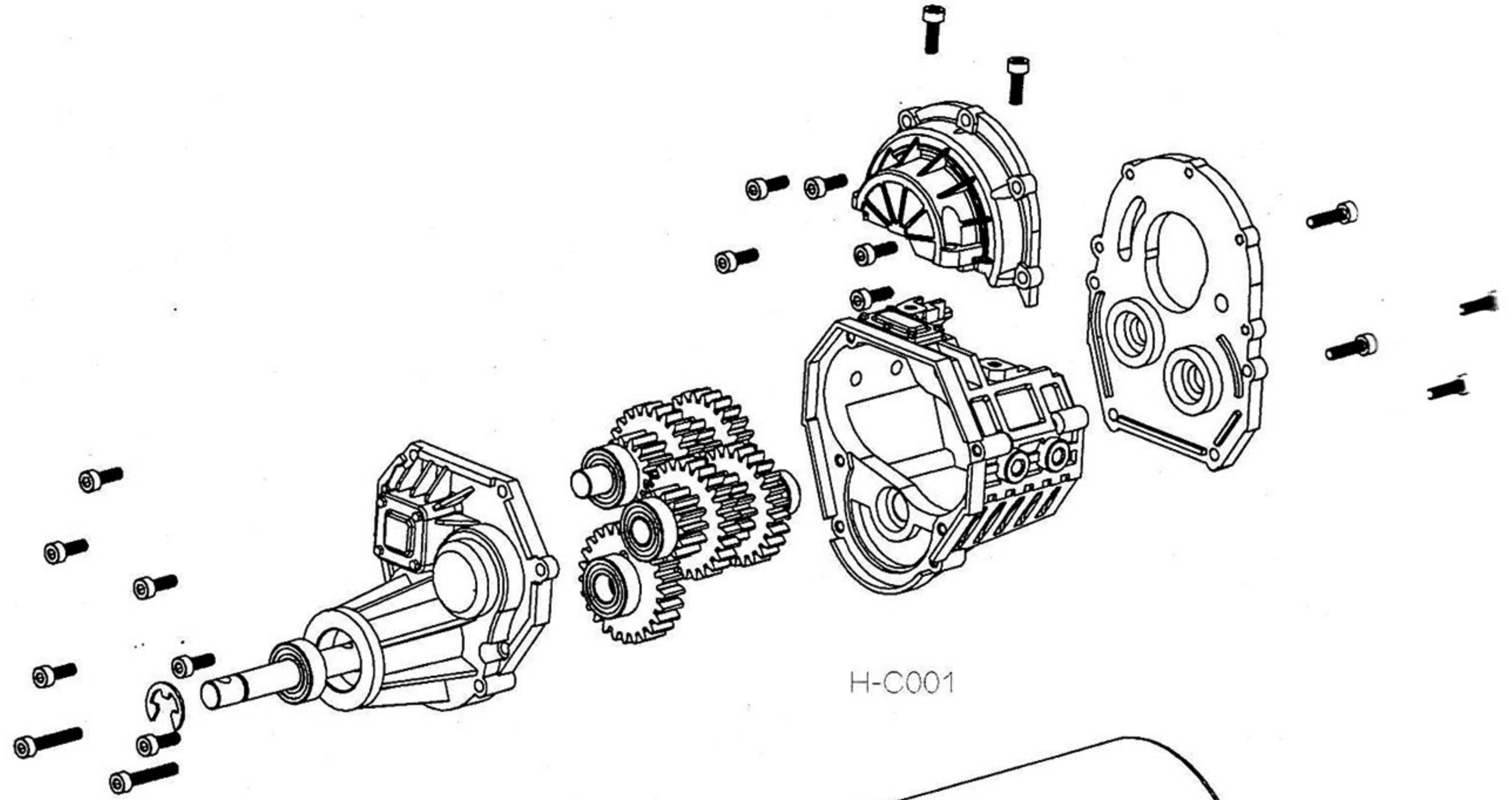
M2x6mm Screw x 8

30



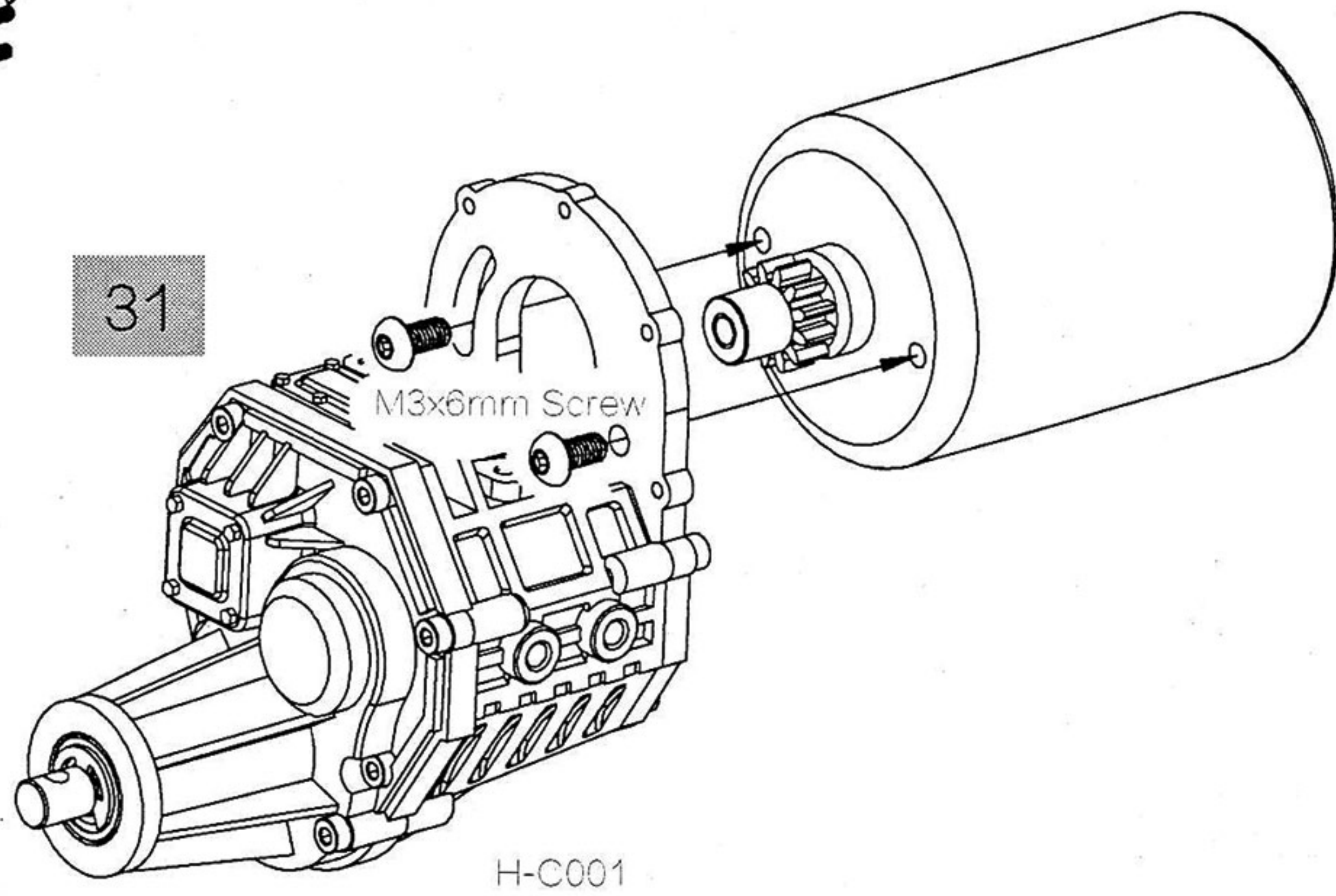
电机齿反装

14T Pinion Gear



H-C001

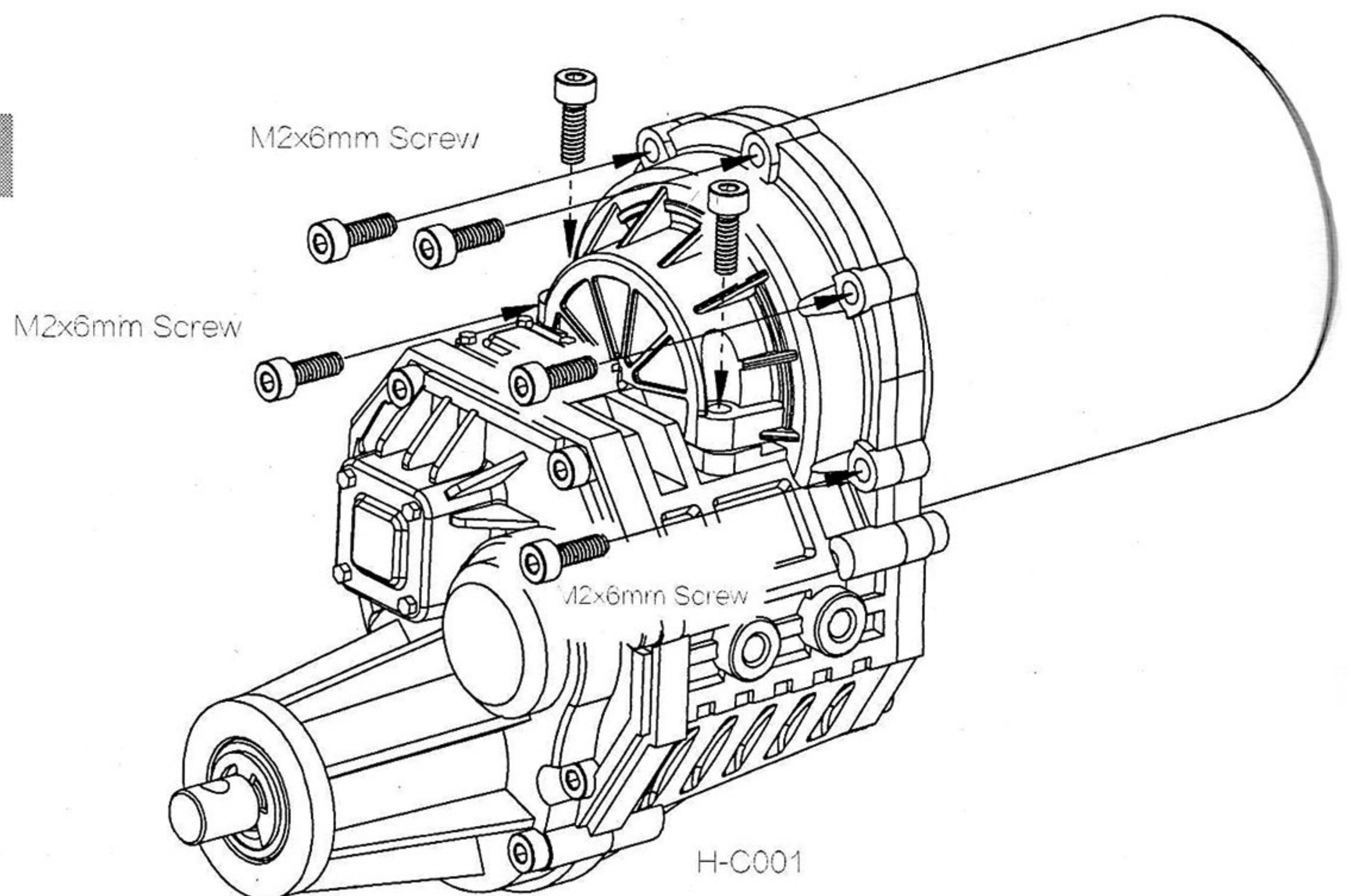
31



M3x6mm Screw

H-C001

32



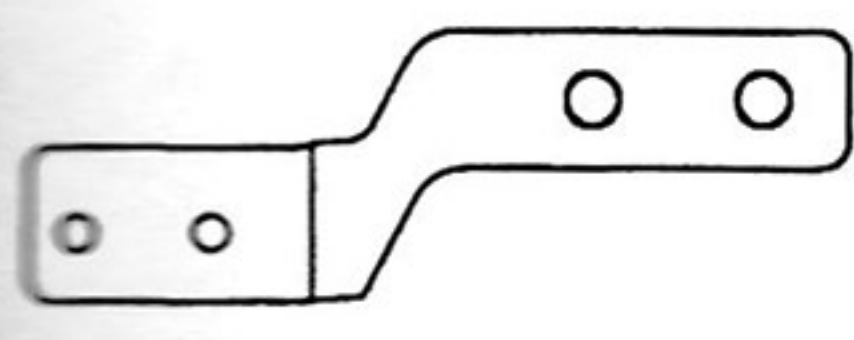
M2x6mm Screw

M2x6mm Screw

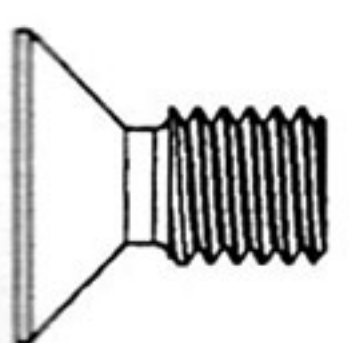
M2x6mm Screw

H-C001

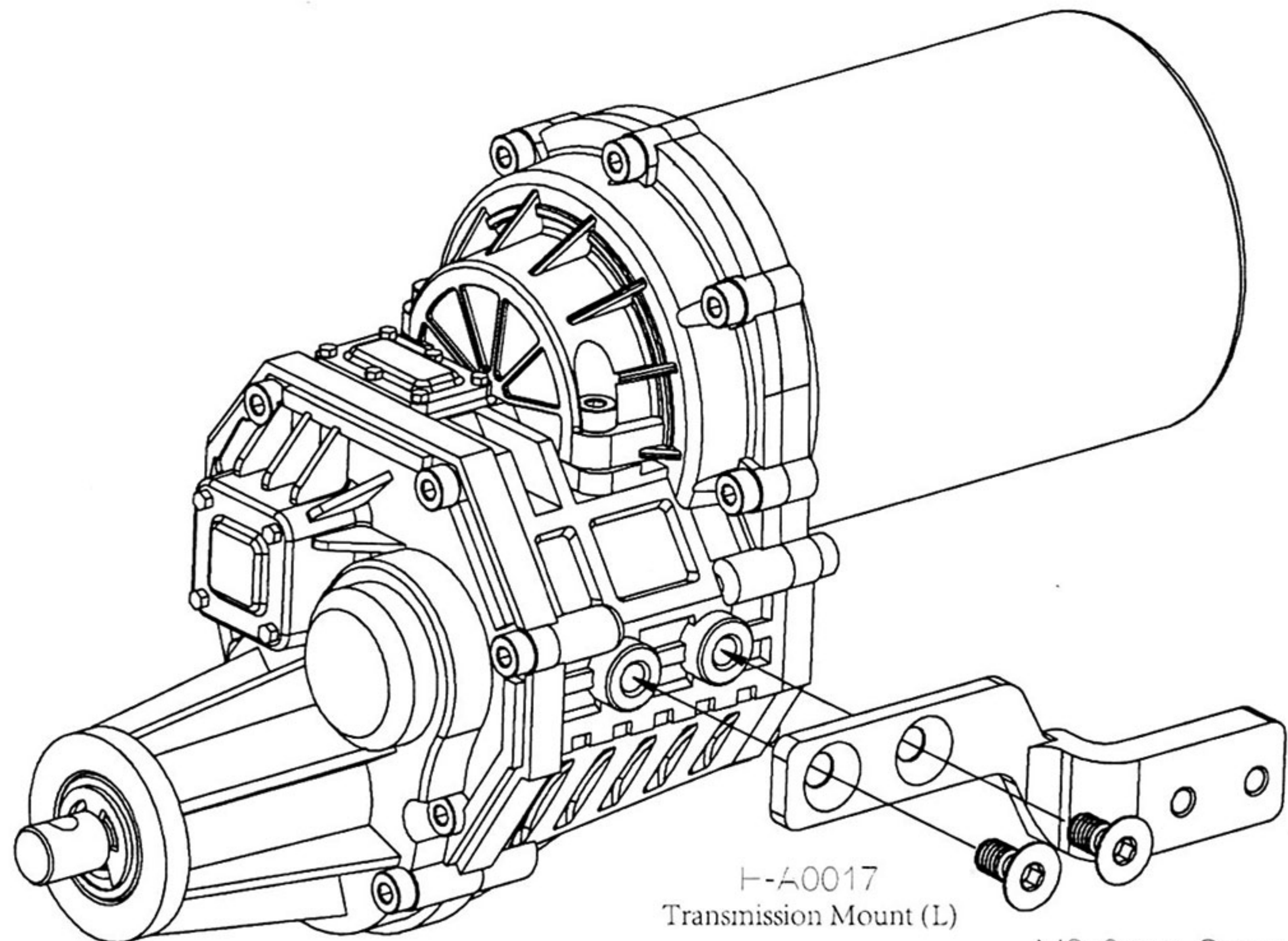
33



H-A0017 x1



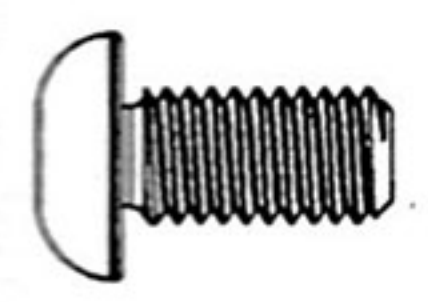
M3x6mm Screw x 2



H-C001

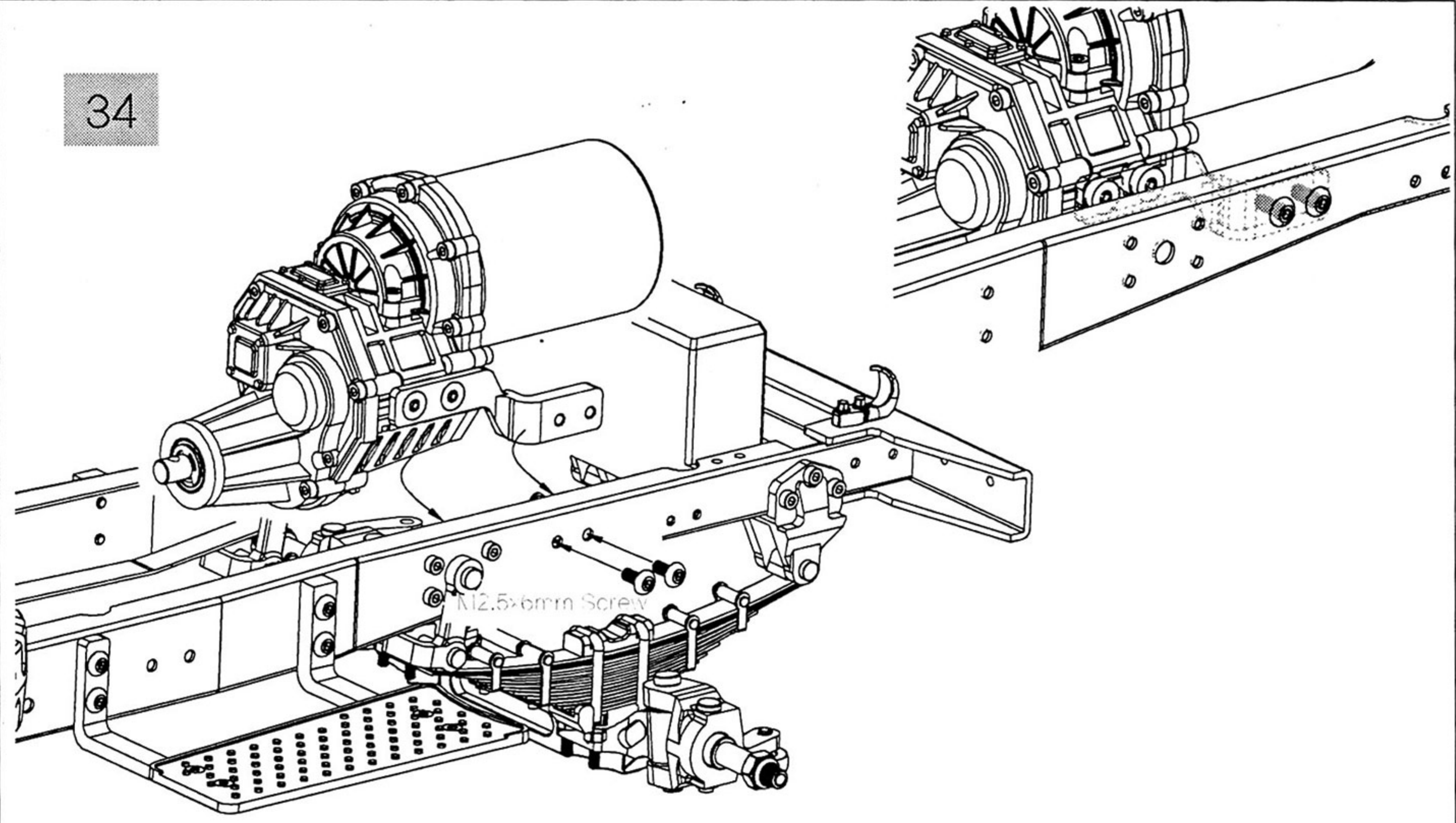
H-A0017
Transmission Mount (L)

M3x6mm Screw

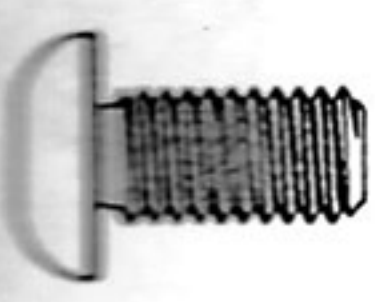


M2.5x6mm Screw x 2

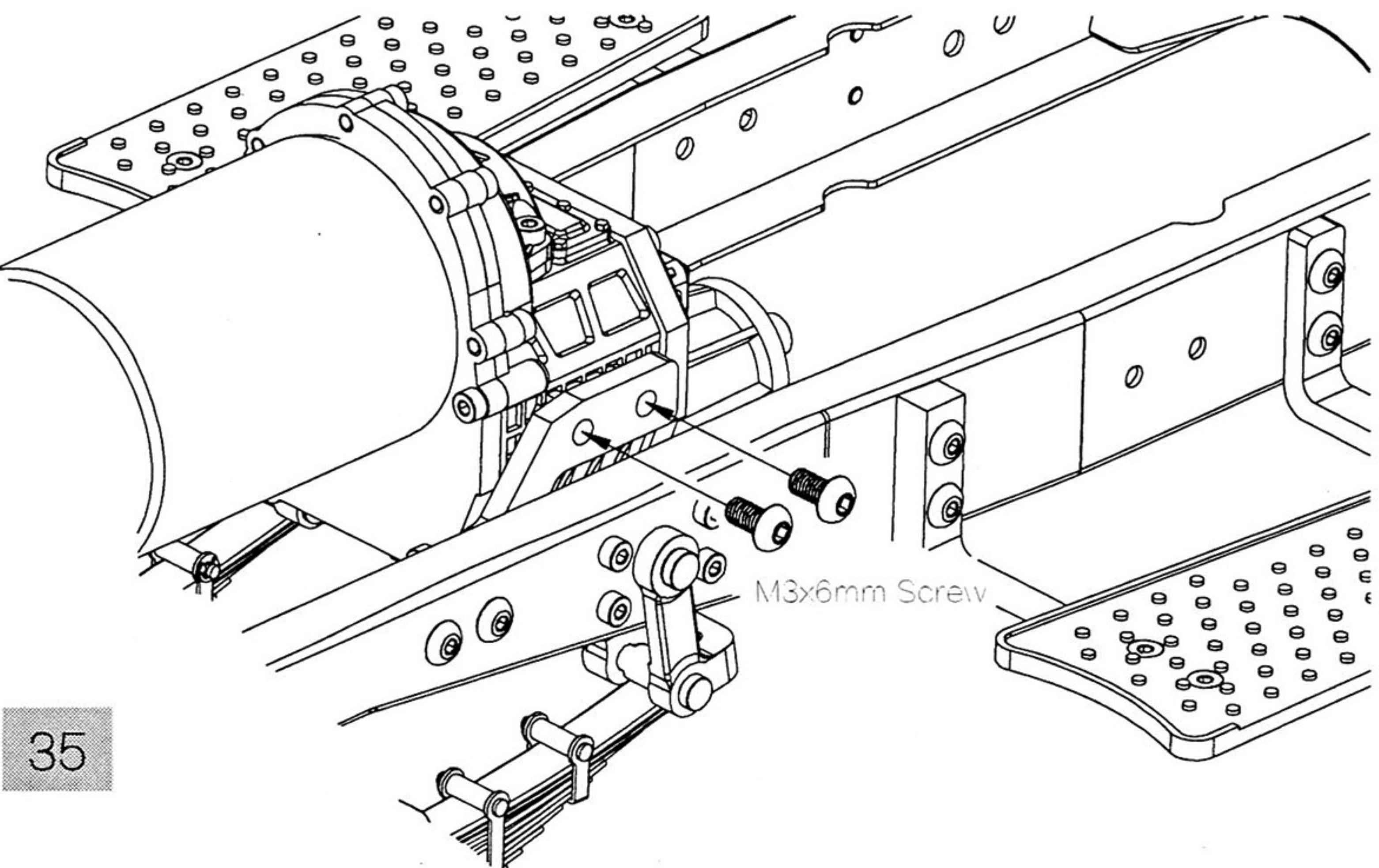
34



M2.5x6mm Screw



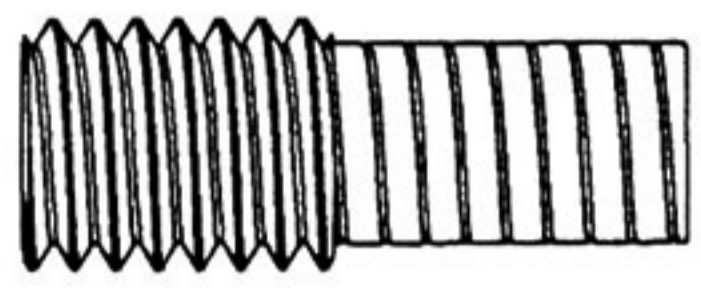
M3x6mm Screw x 2



M3x6mm Screw

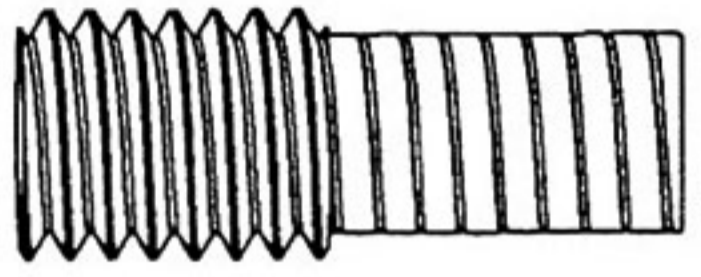
35

36



M3x8mm Screw

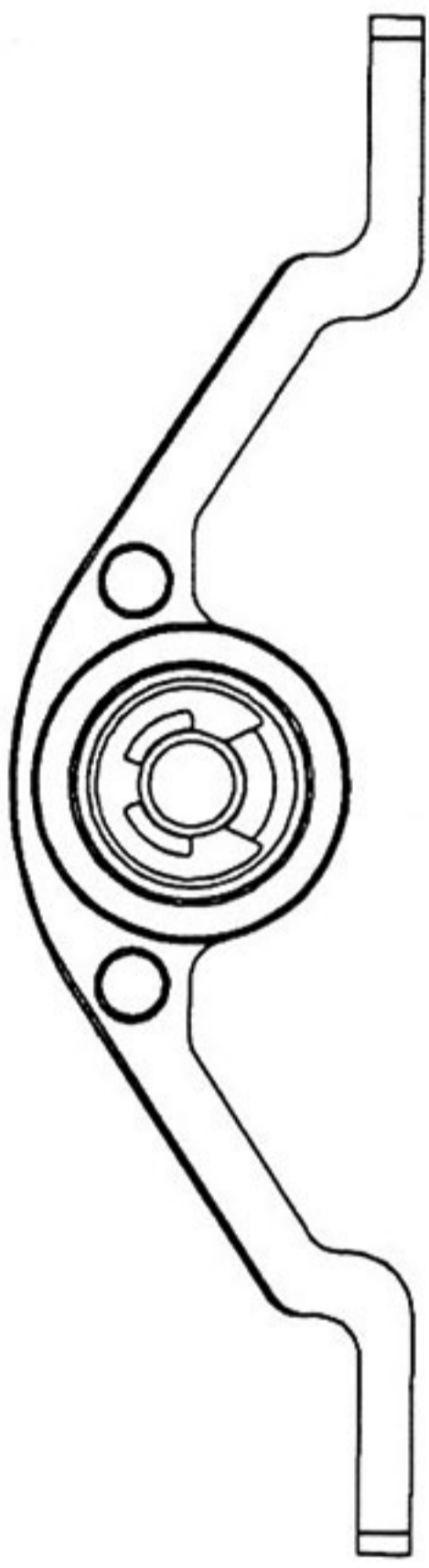
37



M3x8mm Screw

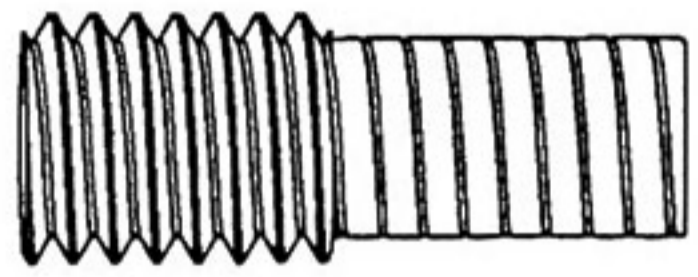


M2x6mm Screw x4



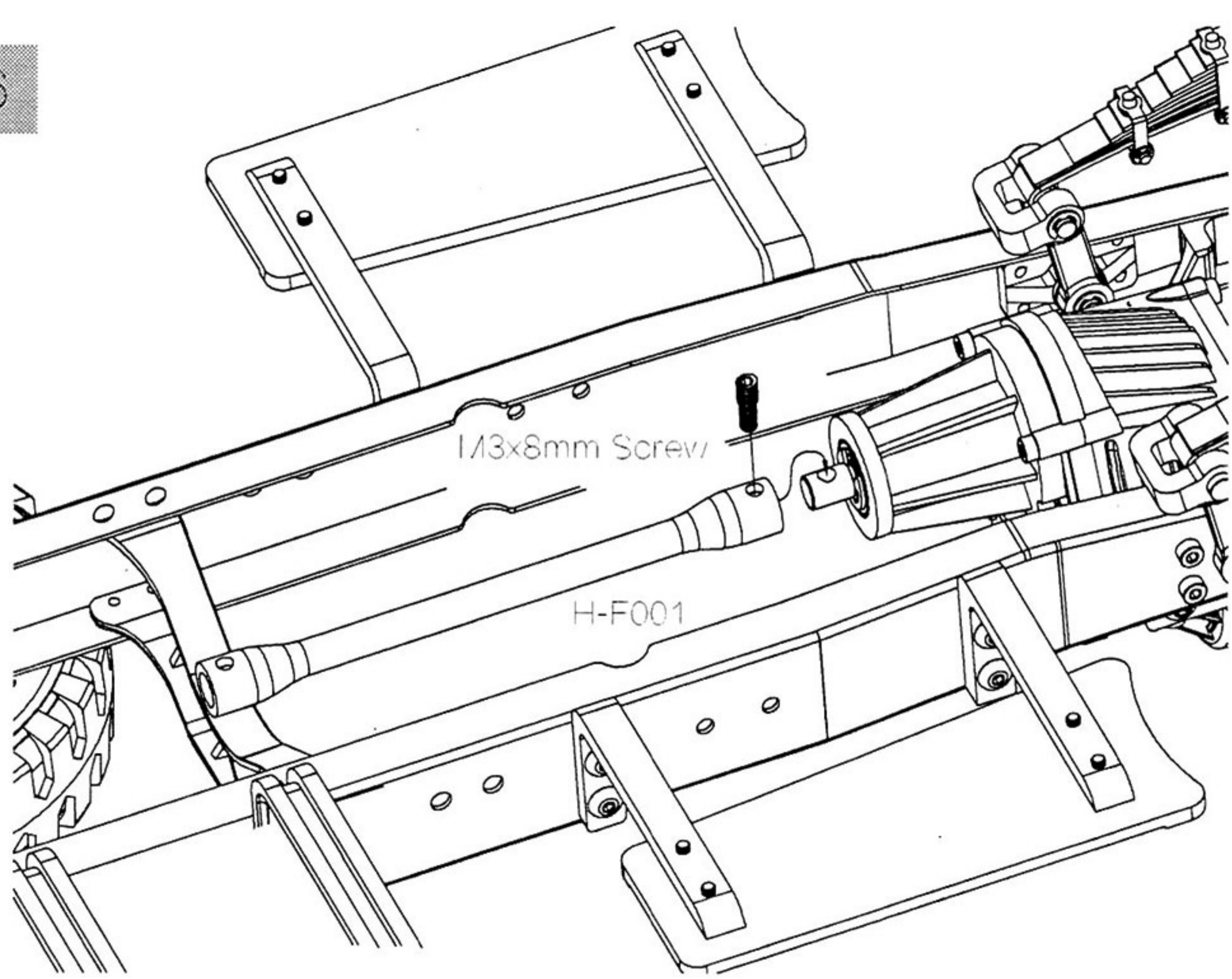
H-C004 X1

38

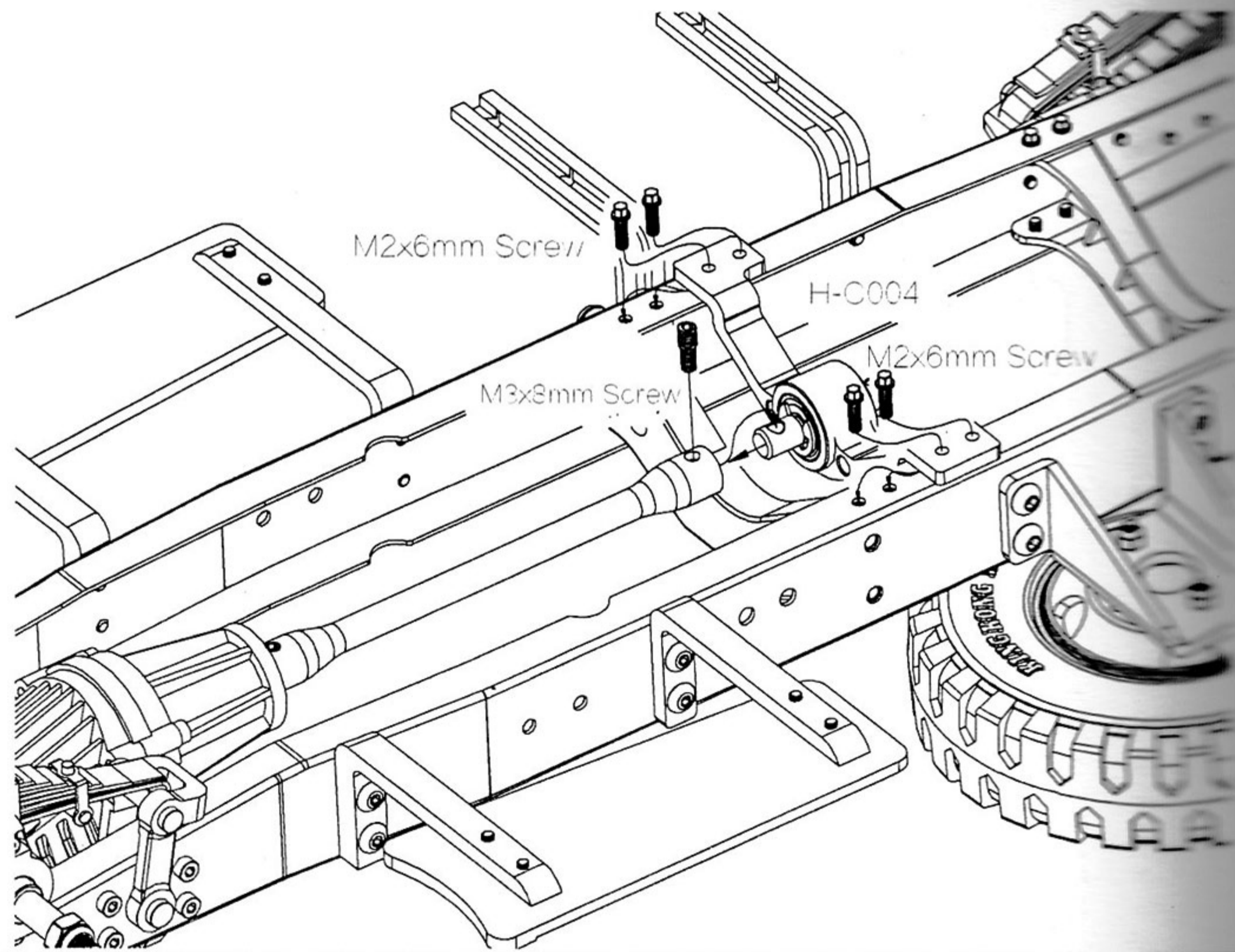


M3x8mm Screw

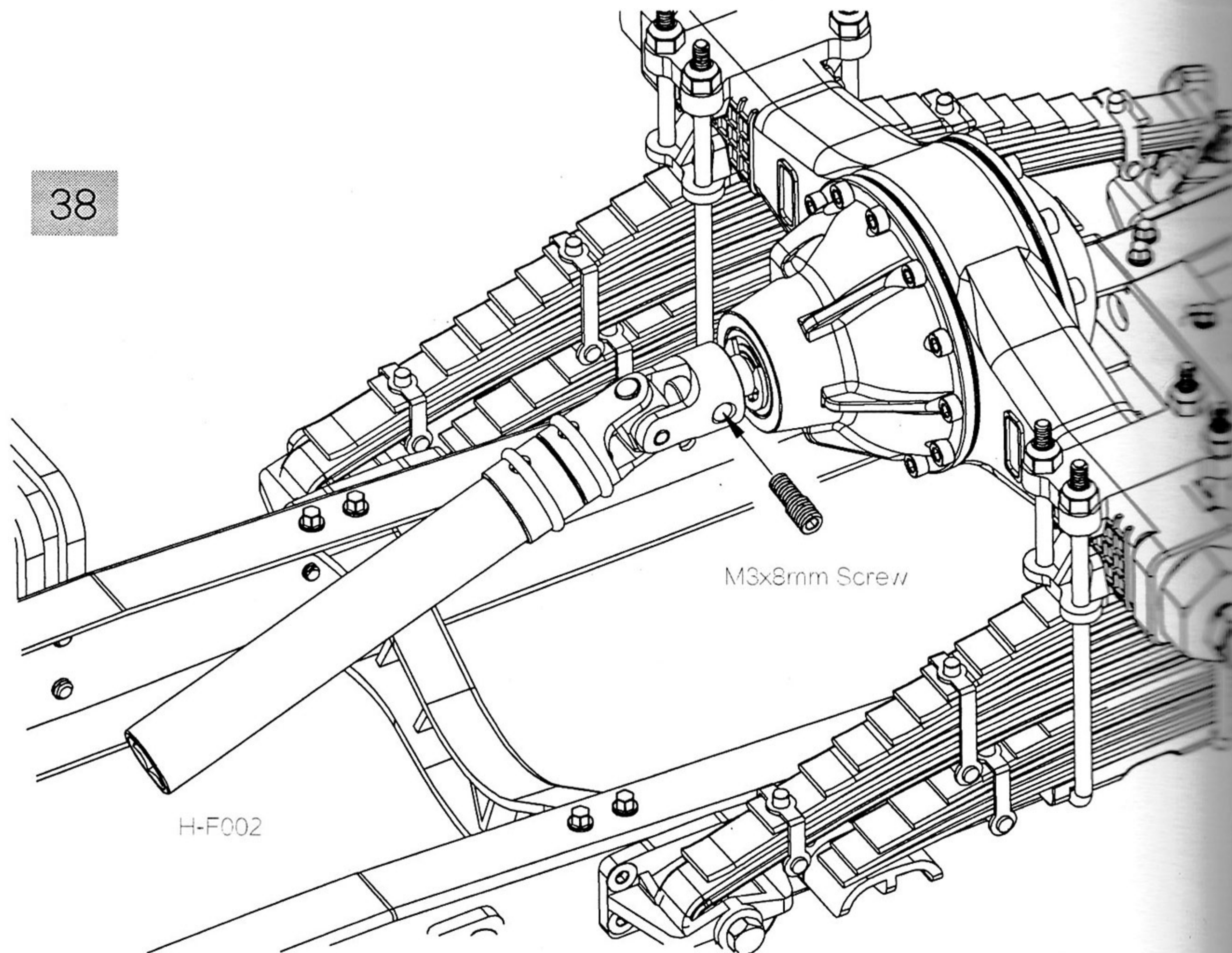
36

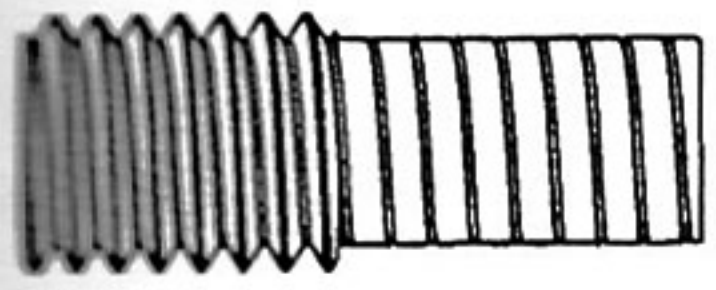


37

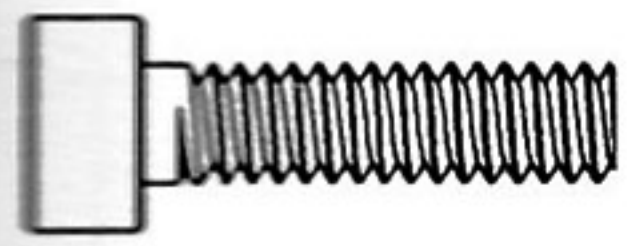


38

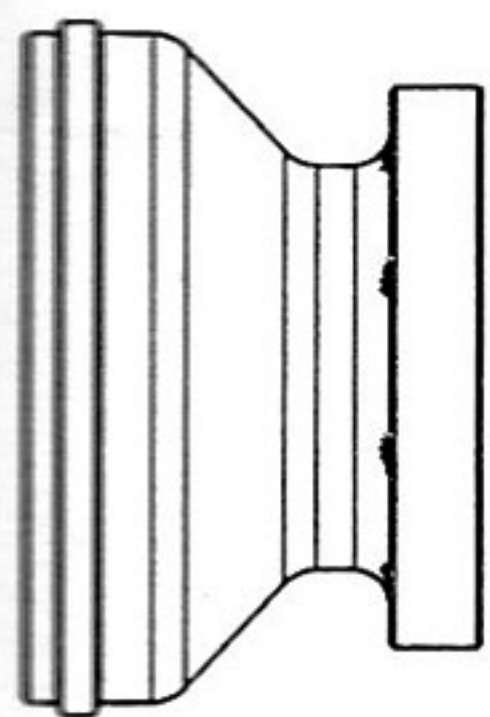




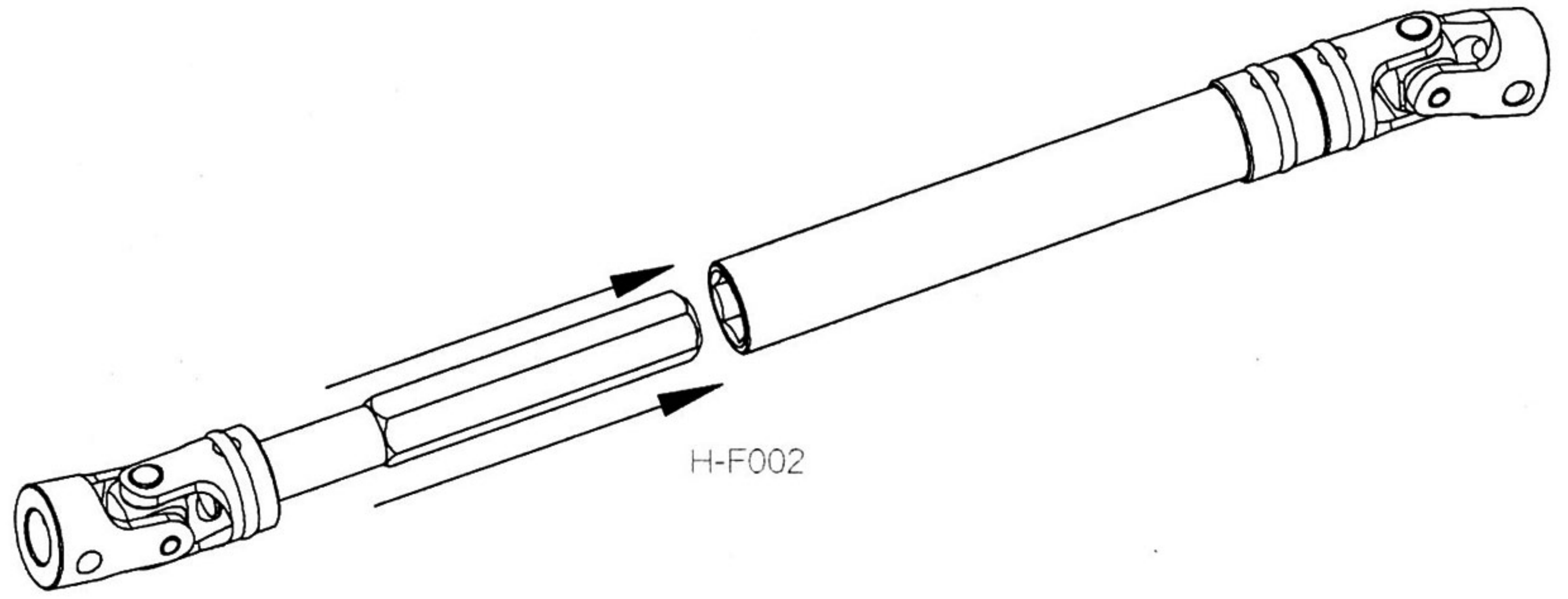
M3x8mm Screw



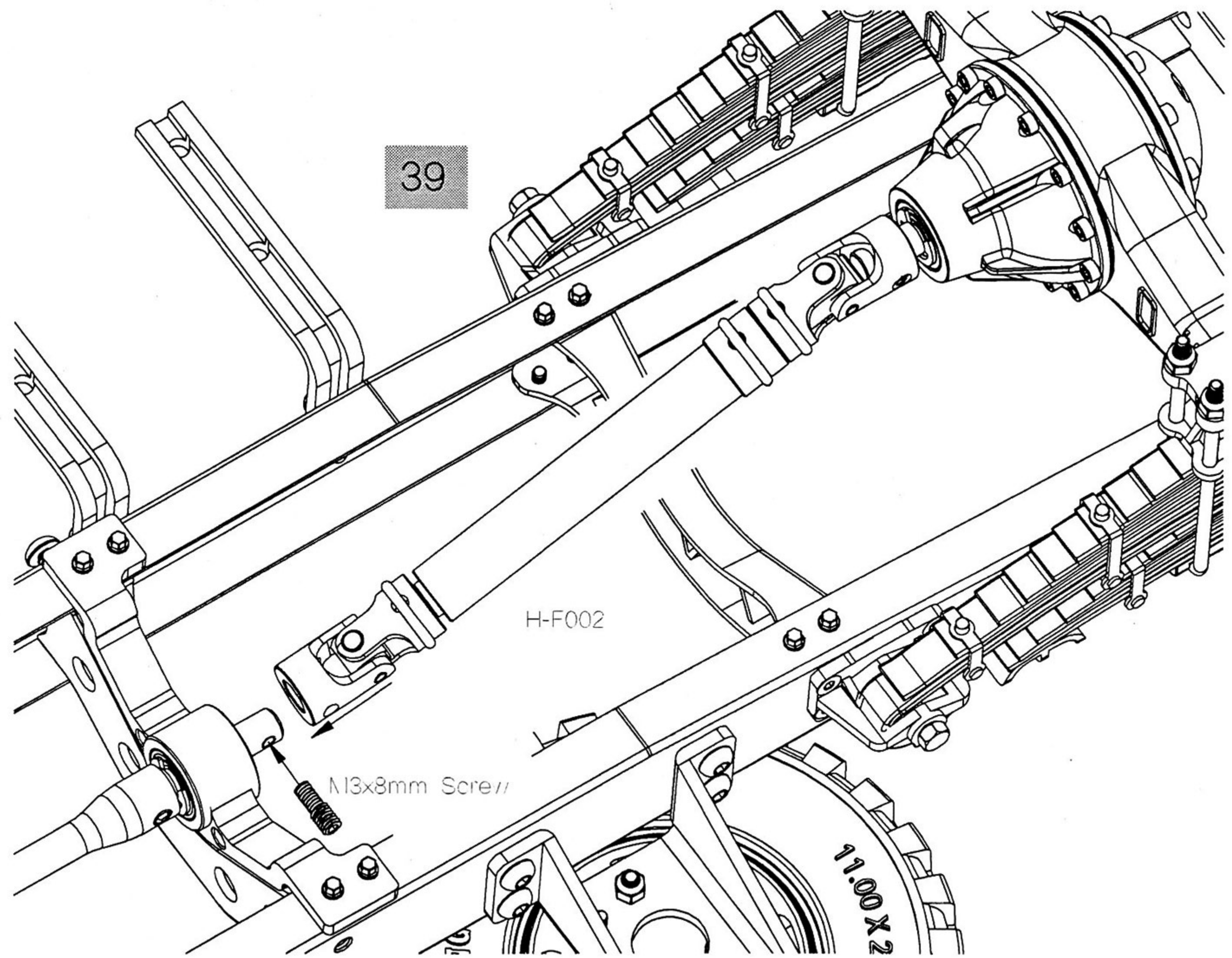
M2x6mm Screw x 6



H-B002



H-F002



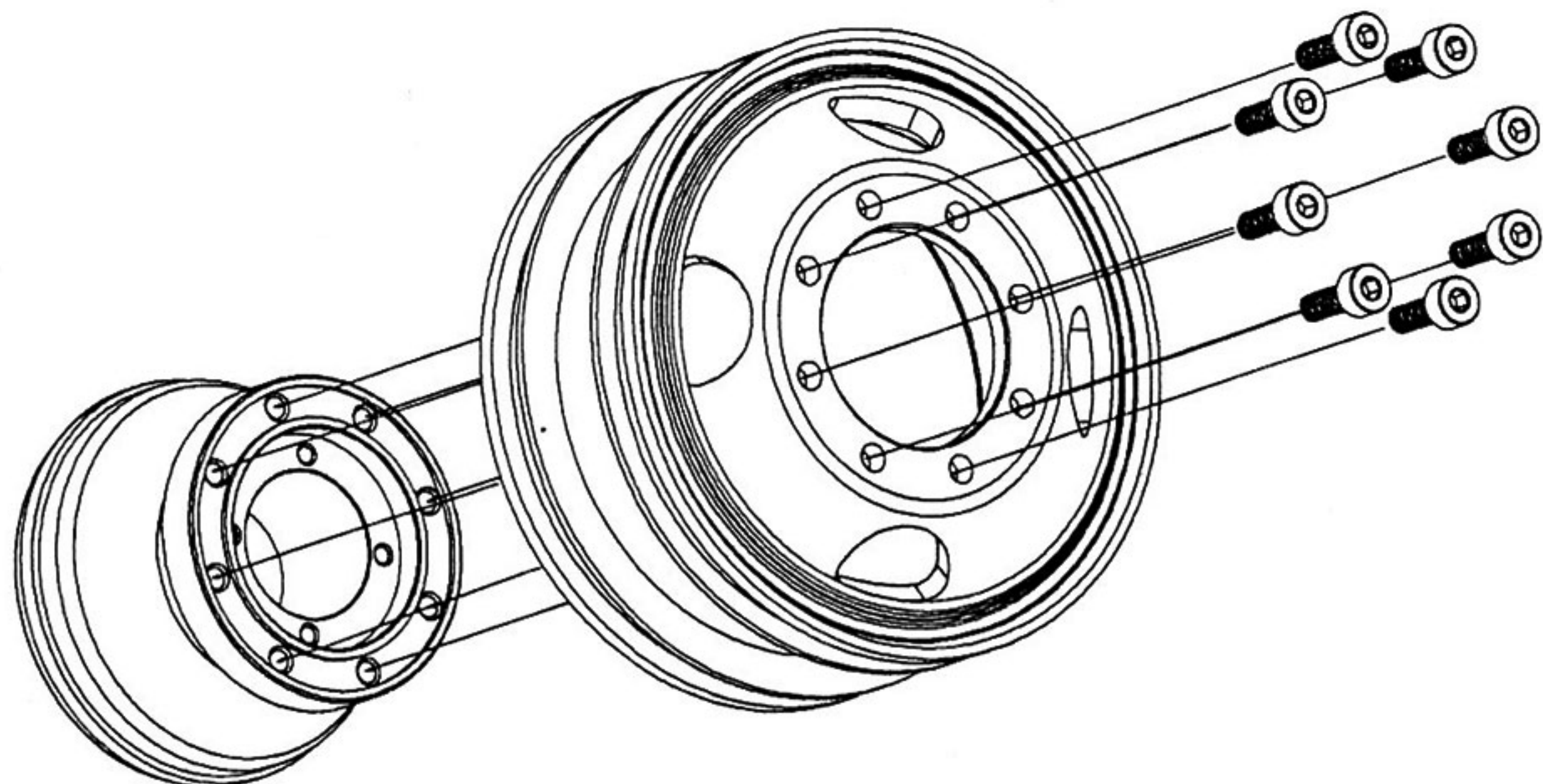
39

H-F002

M3x8mm Screw

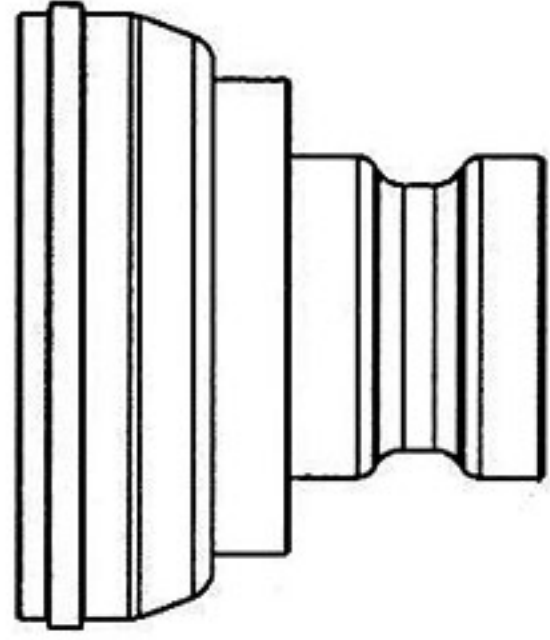
110011 X 2

40

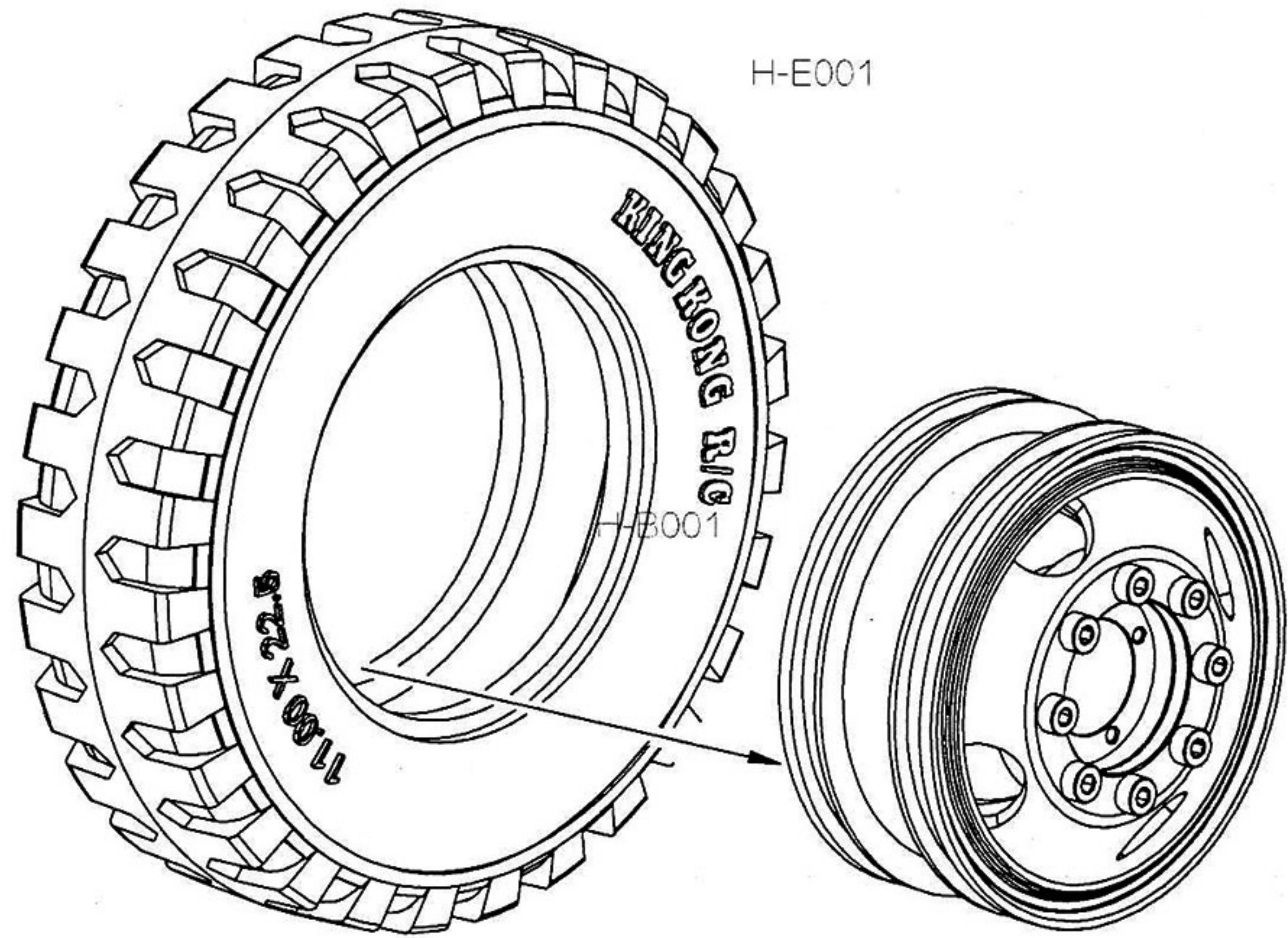




M2x10mm Screw x 8

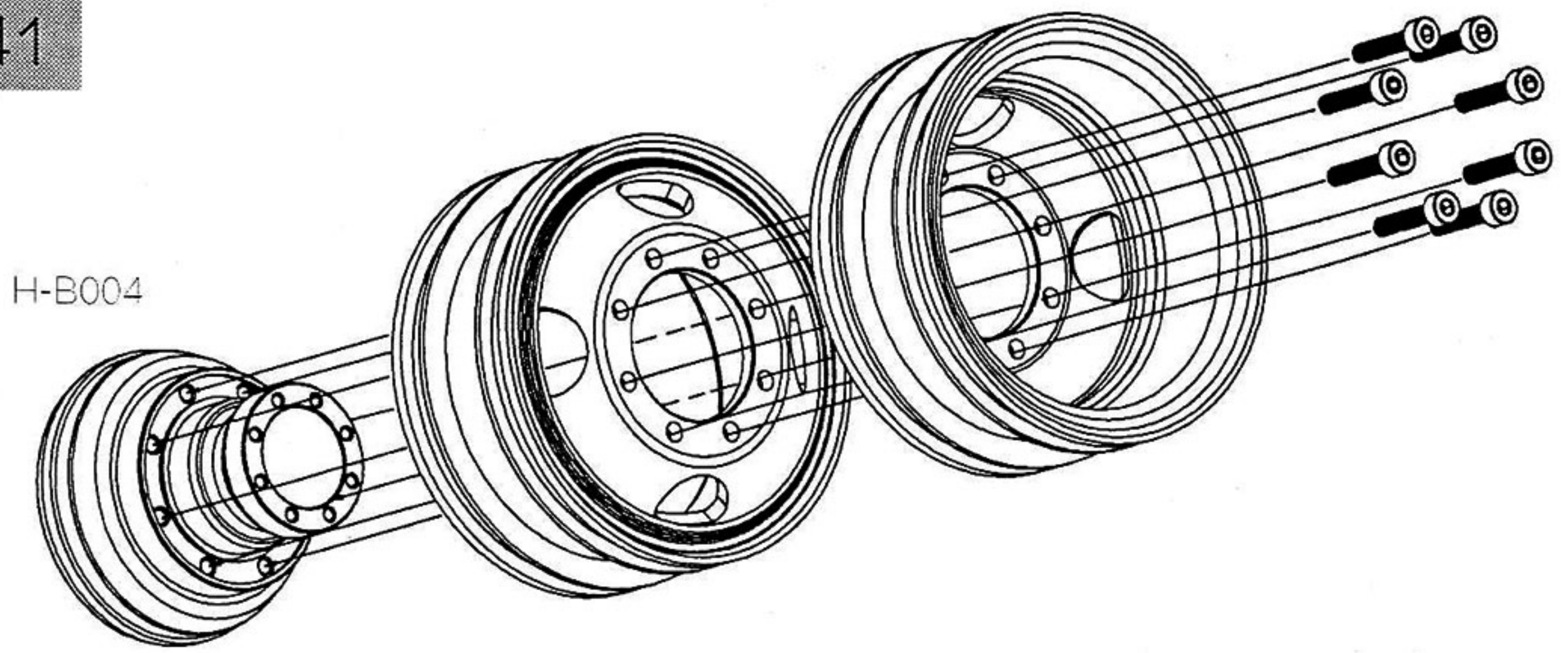


H-B004



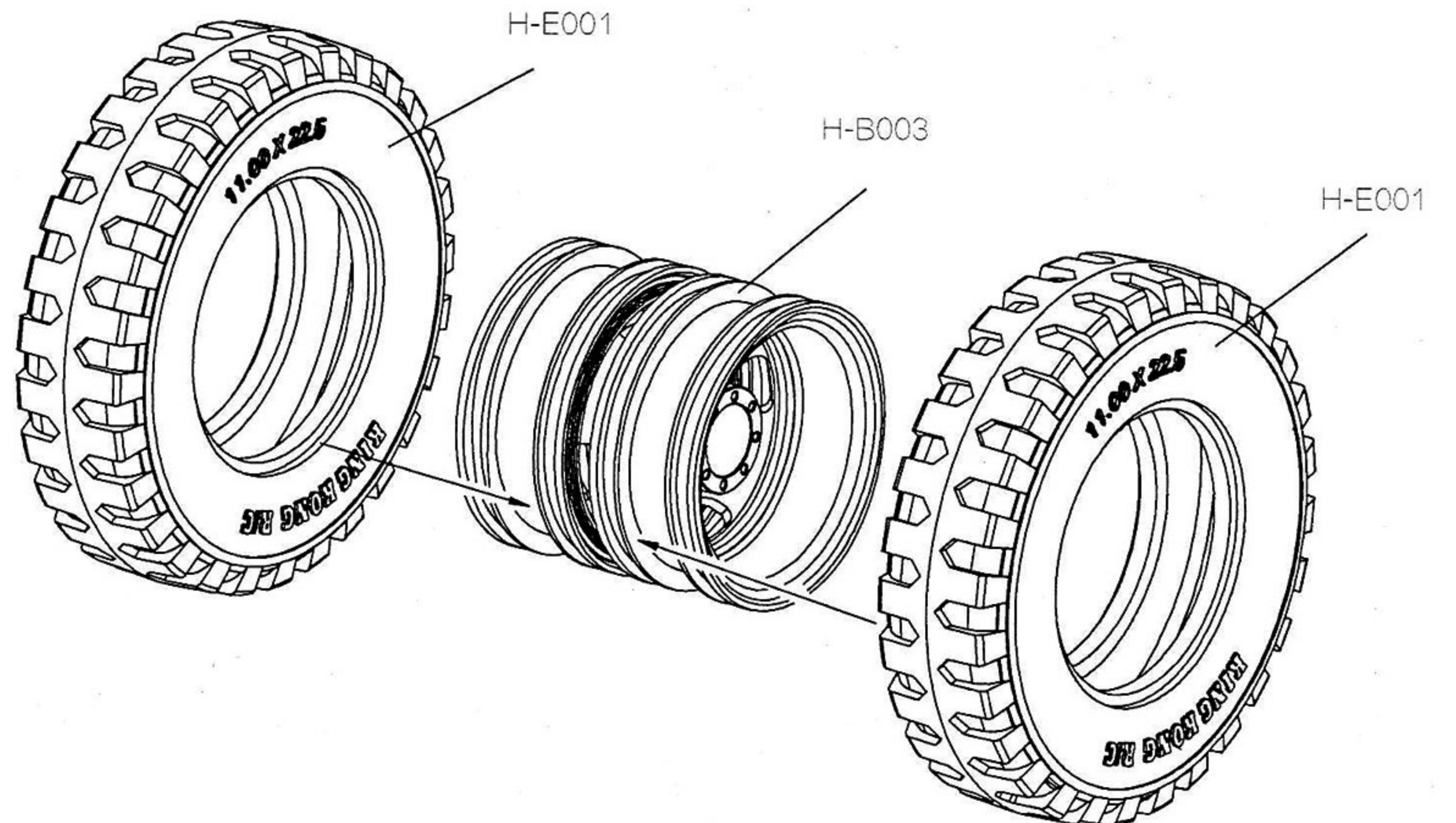
H-E001

H-B001



M2x10mm Screw

H-B004

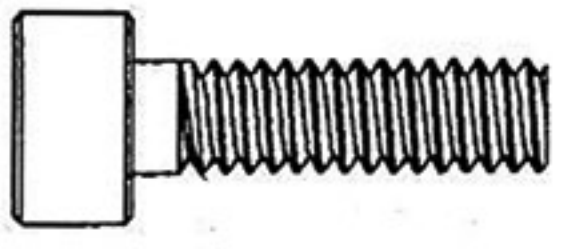


H-E001

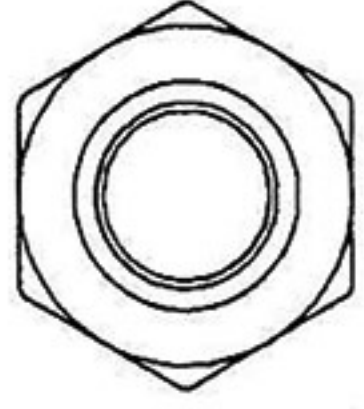
H-B003

H-E001

42



M1.6x5mm Screw x 16

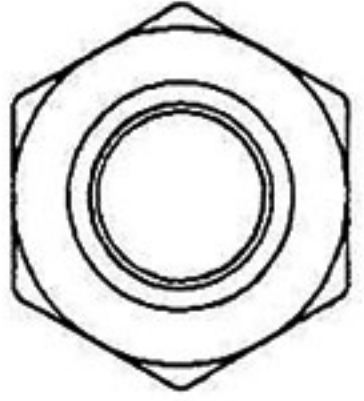


M4 Locknut x 2

43

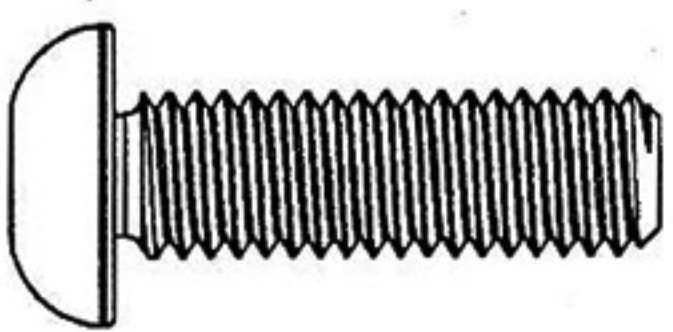


M1.6x5mm Screw x 8

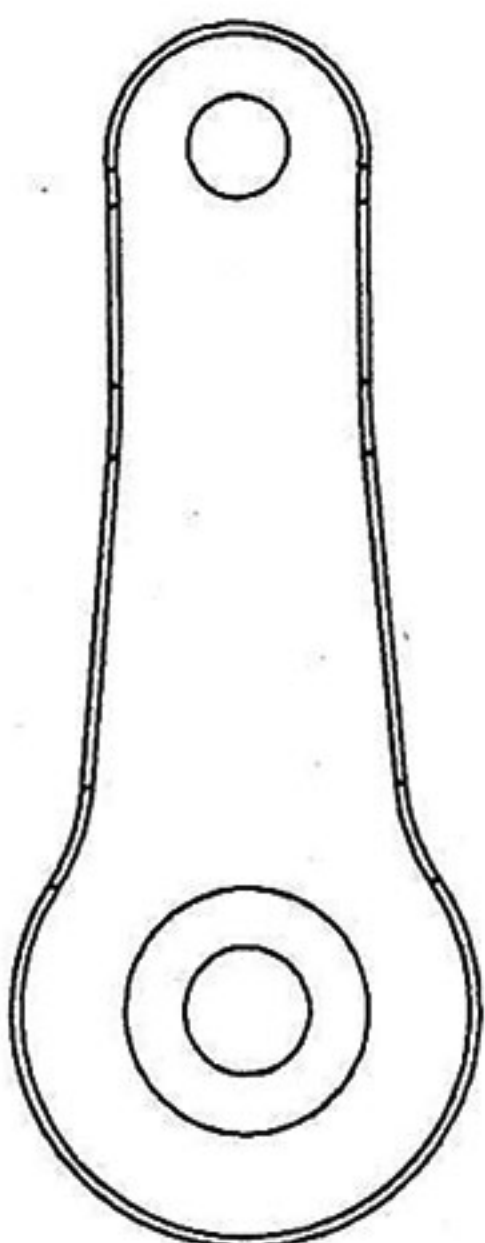


M4 Locknut x 2

44

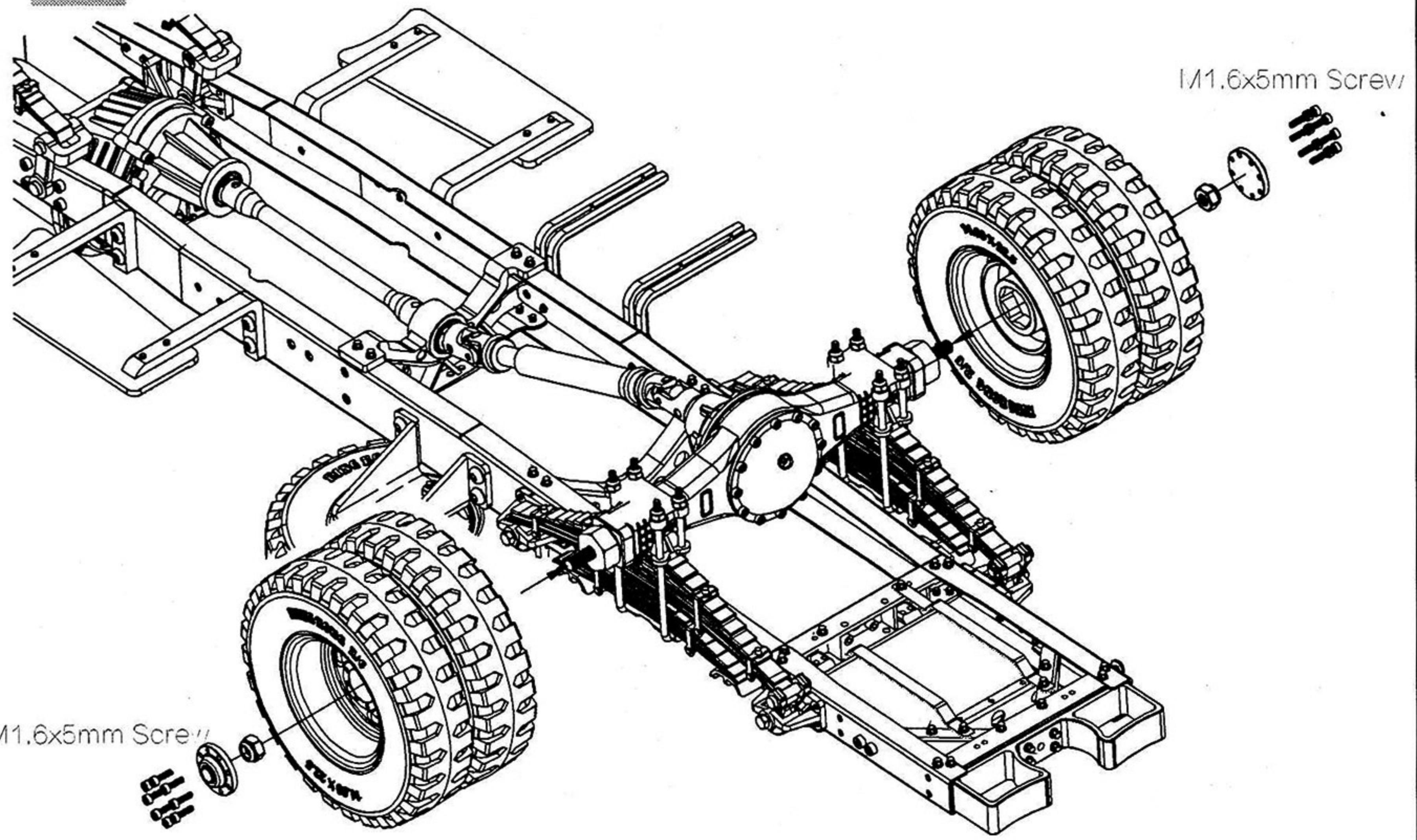


M3x10mm Screw



D-T017 X1

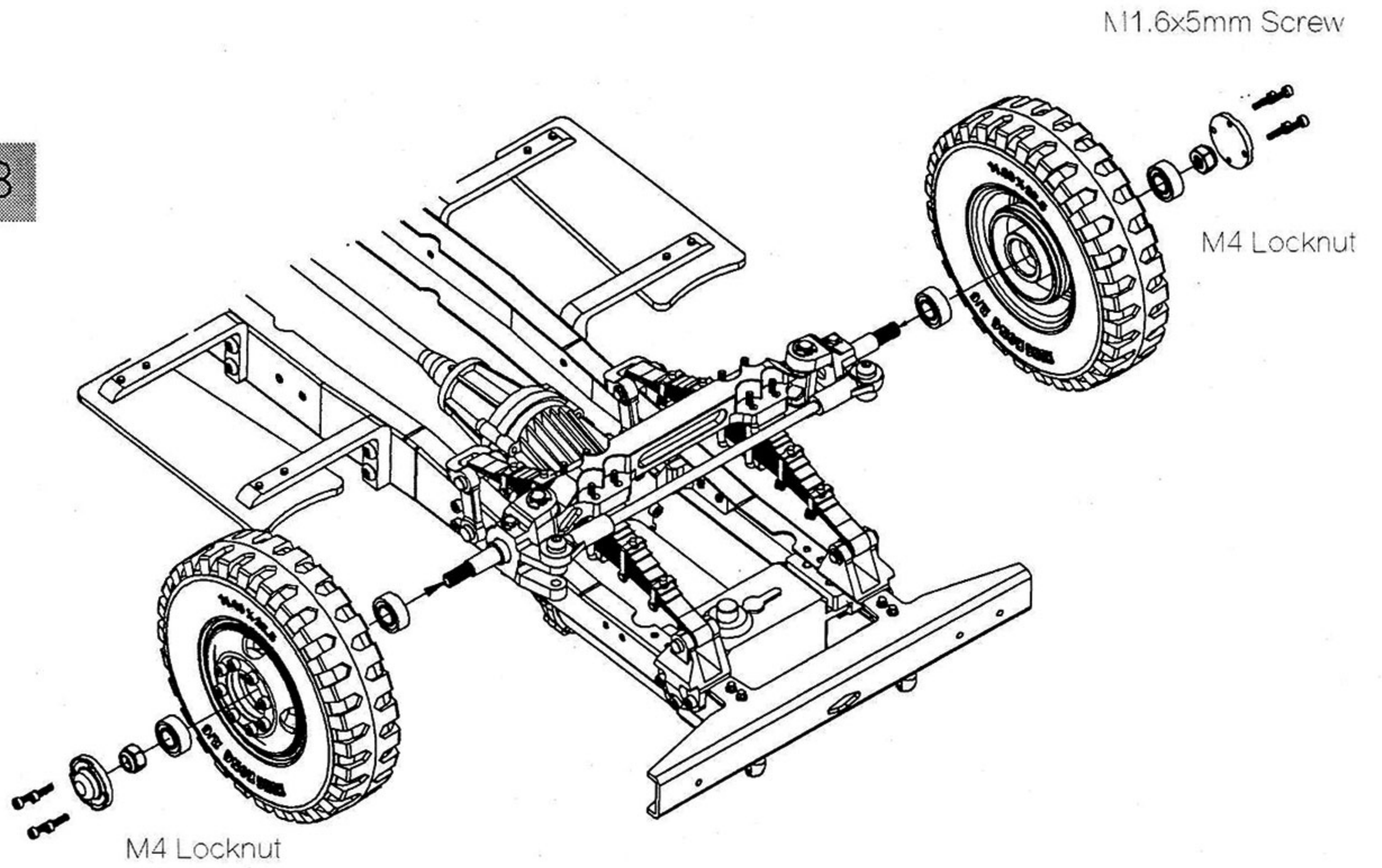
42



M1.6x5mm Screw

M1.6x5mm Screw

43



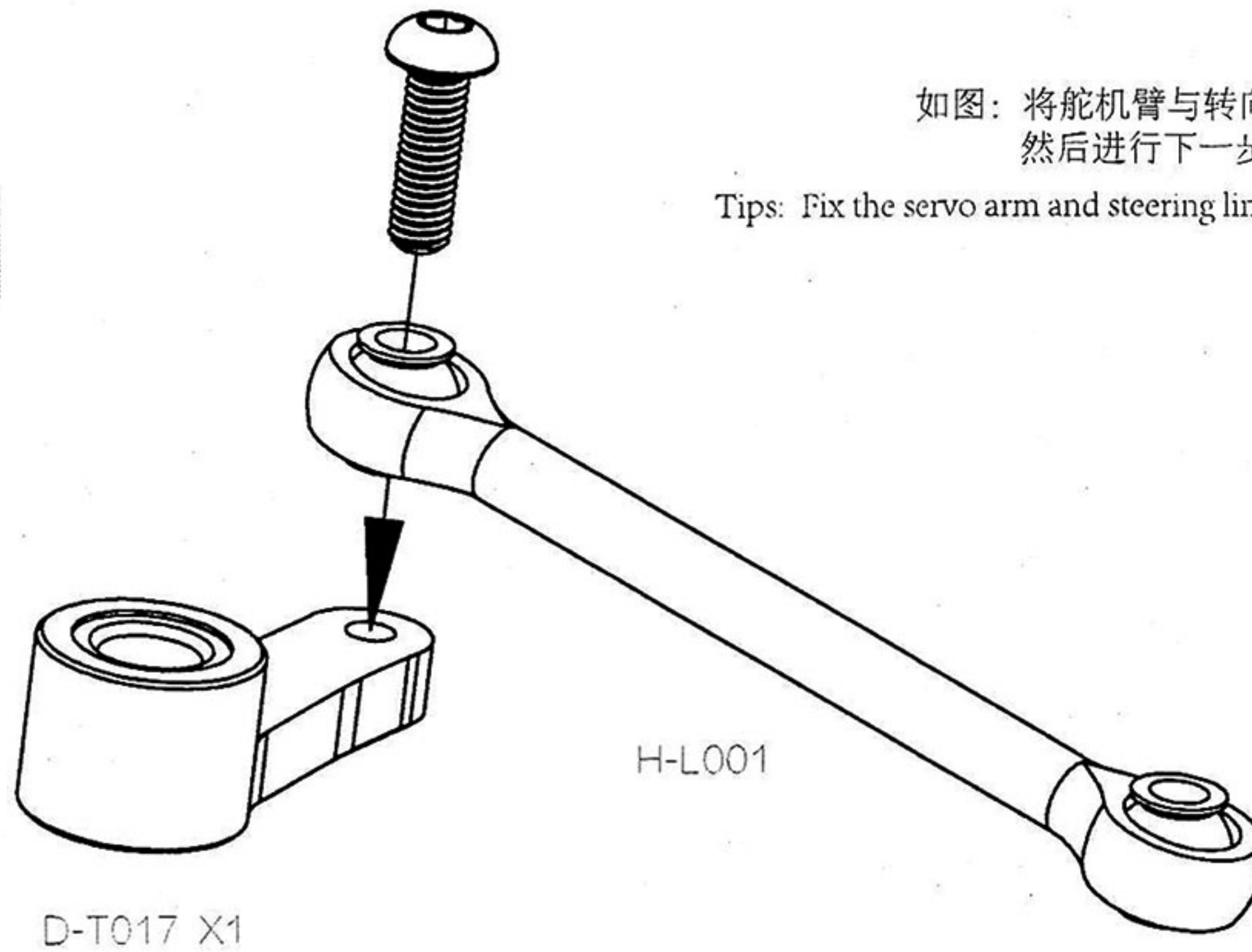
M1.6x5mm Screw

M4 Locknut

M4 Locknut

M1.6x5mm Screw

44

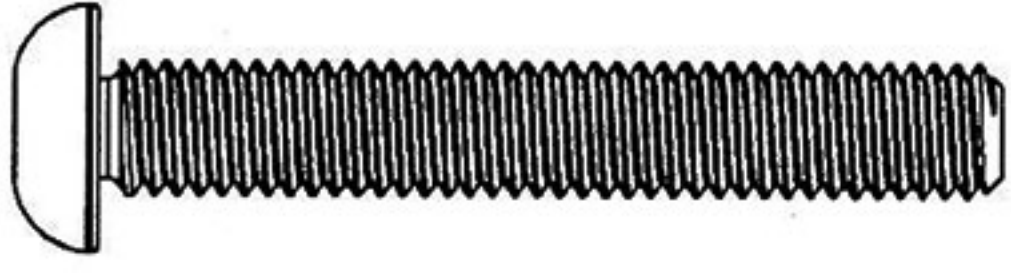


D-T017 X1

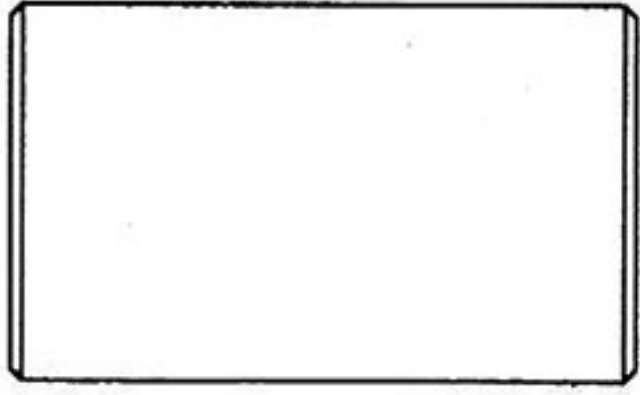
H-L001

如图：将舵机臂与转向拉杆先固定好
然后进行下一步安装。
Tips: Fix the servo arm and steering link first, then move to next step.

45

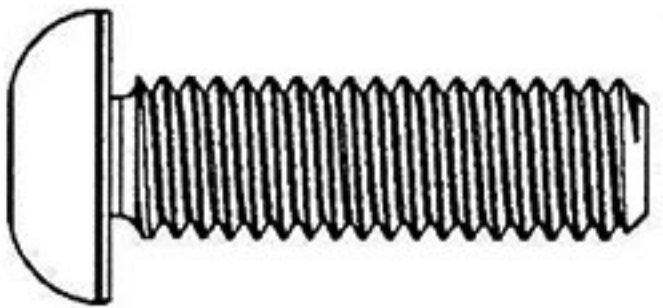


M3x20mm Screw

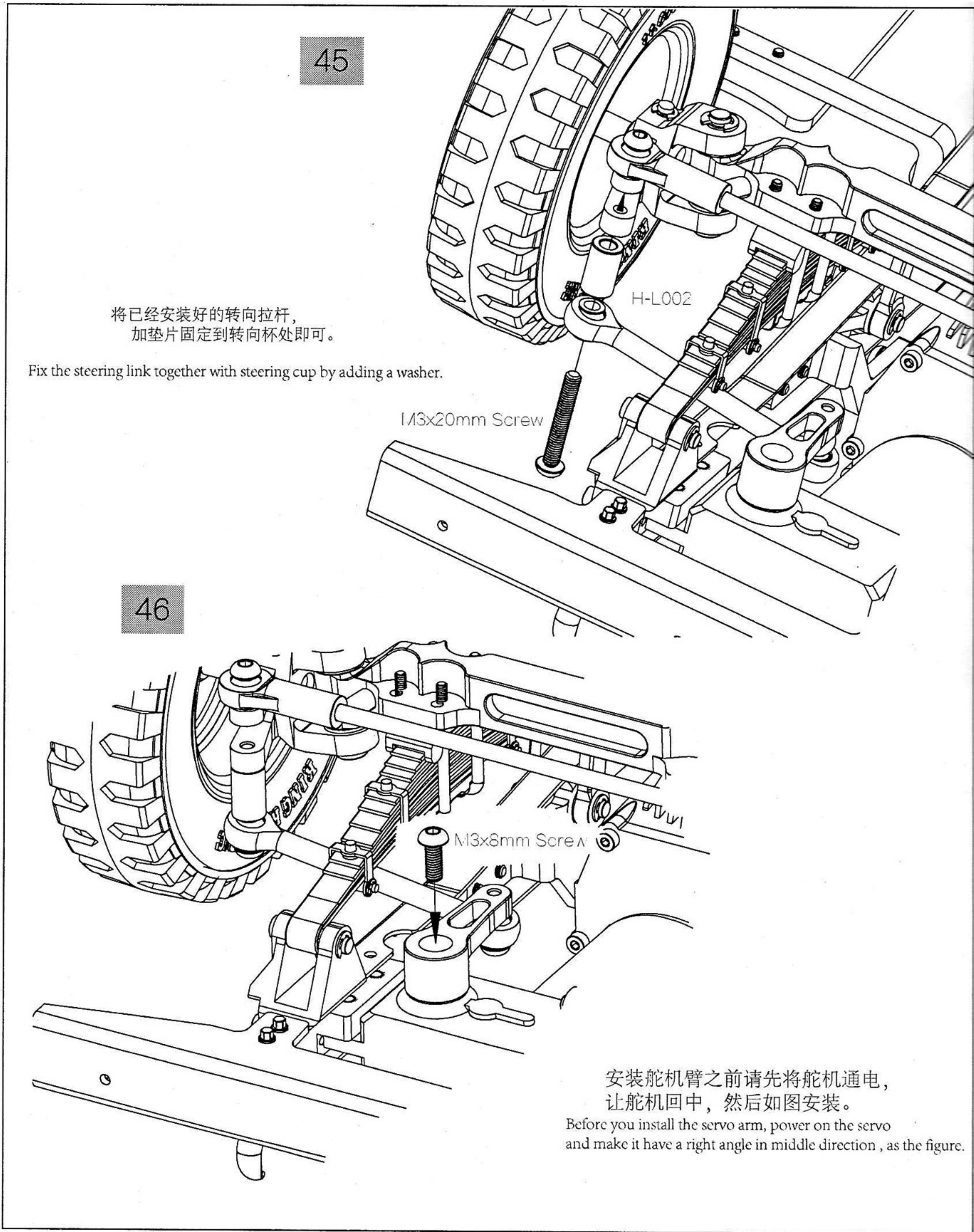


H-L002

46



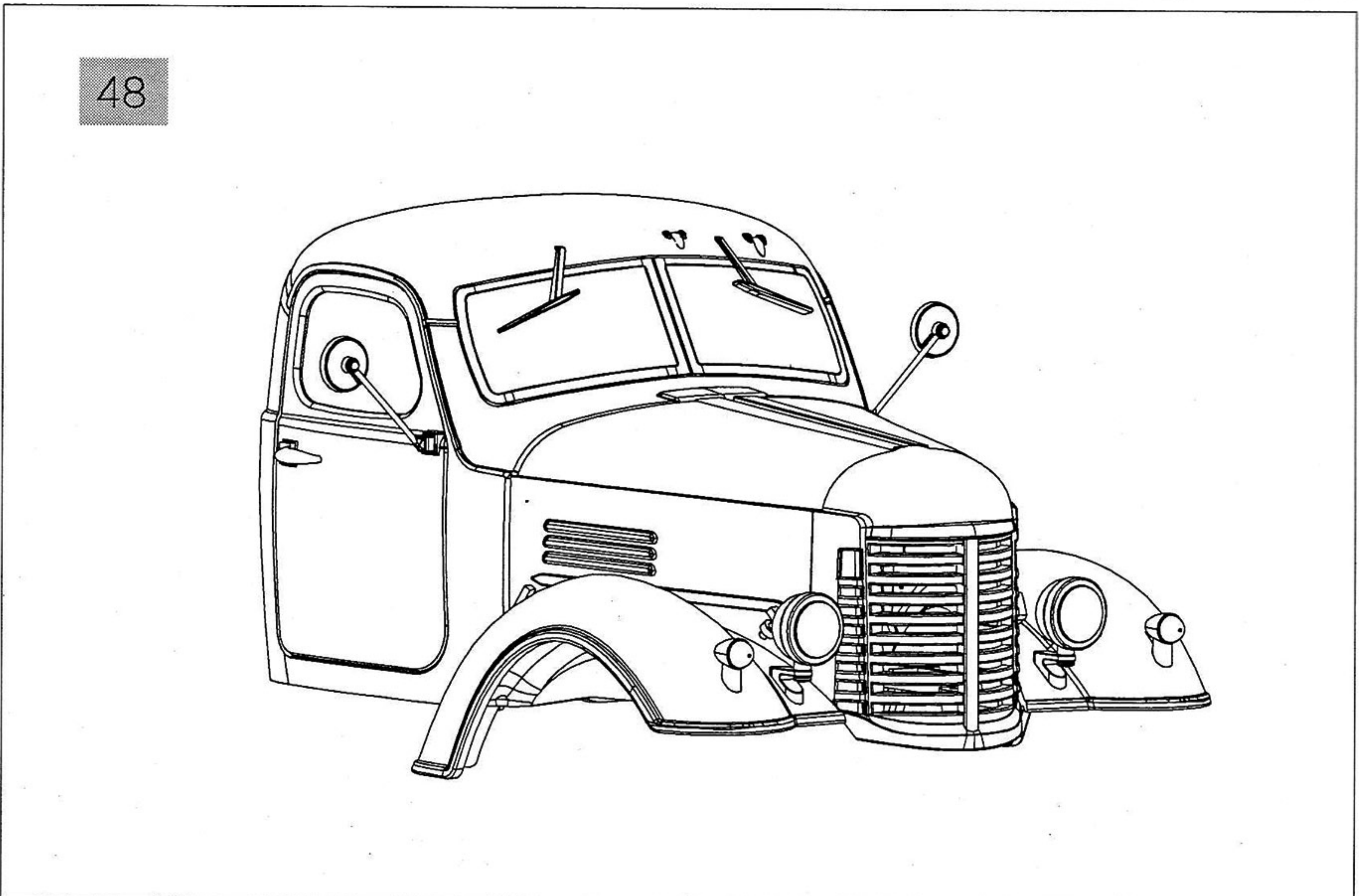
M3x8mm Screw



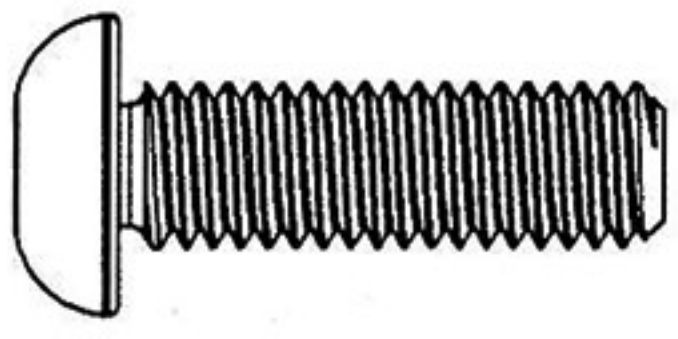
48

车壳需参考车壳包装内说明书进行安装

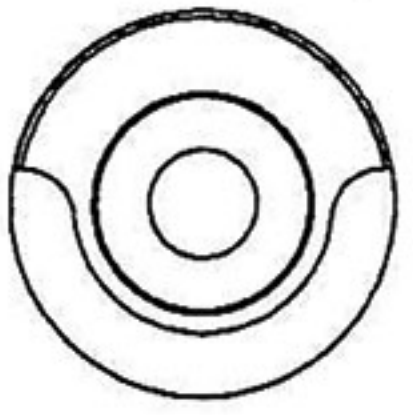
View the Body Assembly Manual before start.



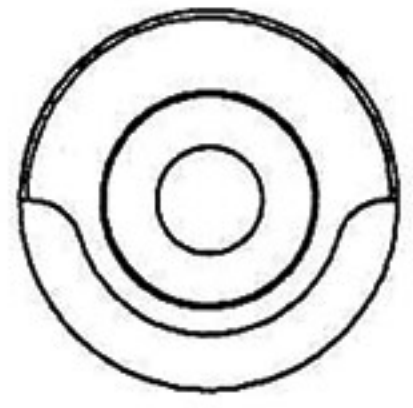
49



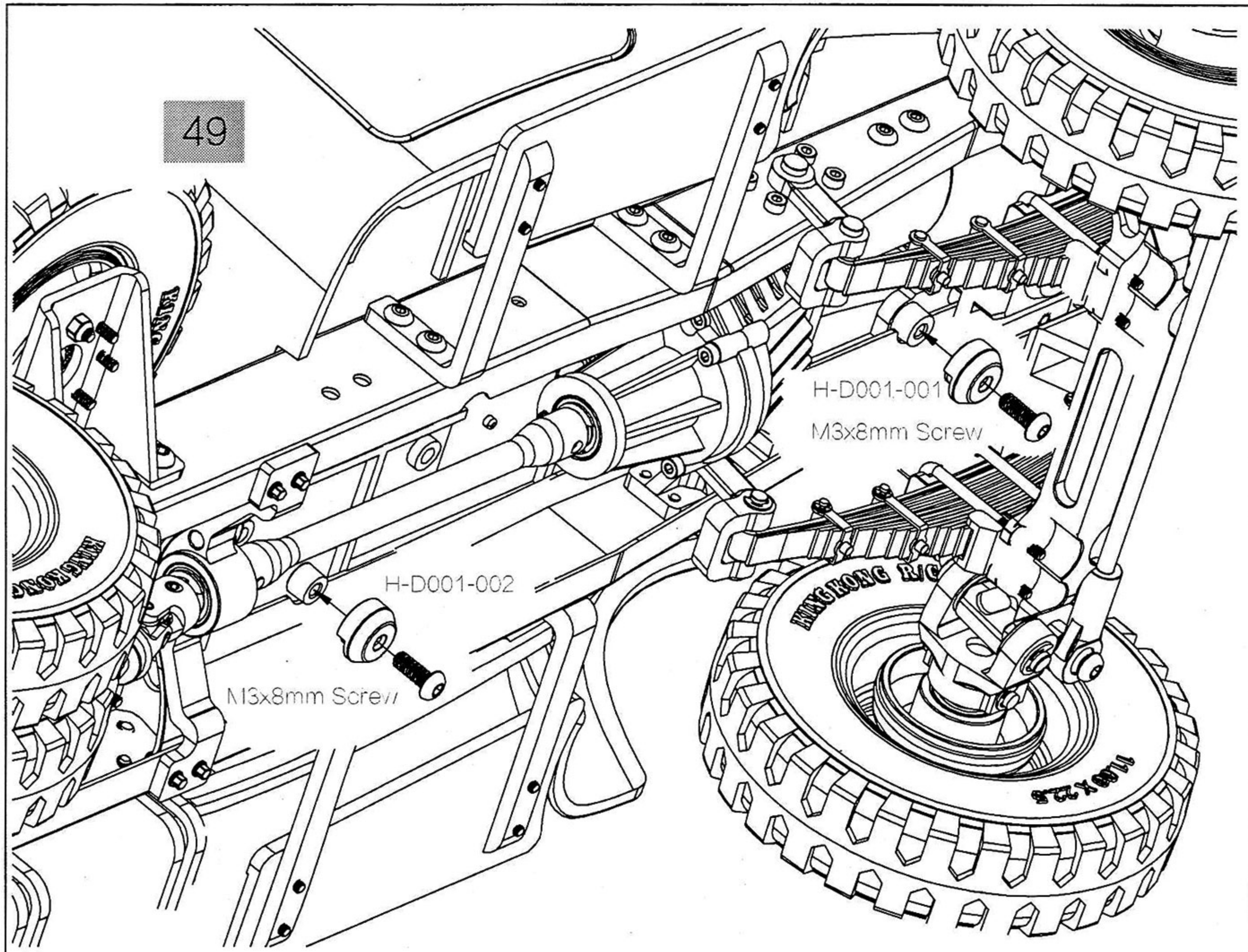
M3x8mm Screw x 2



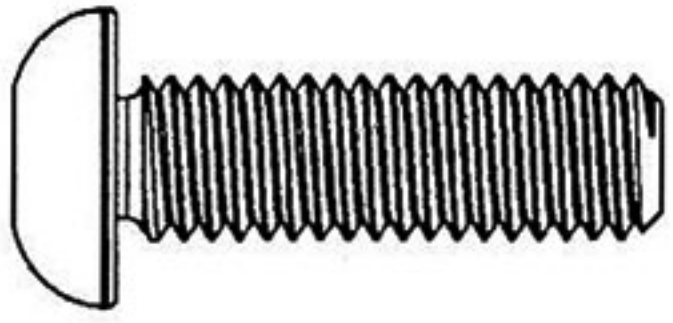
H-D001-001



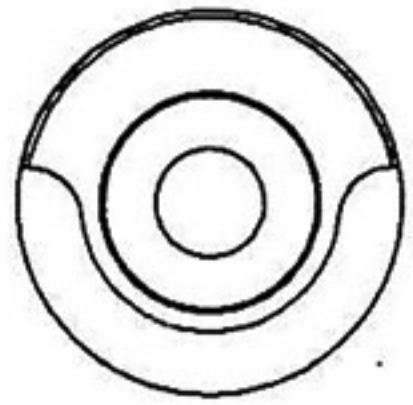
H-D001-002



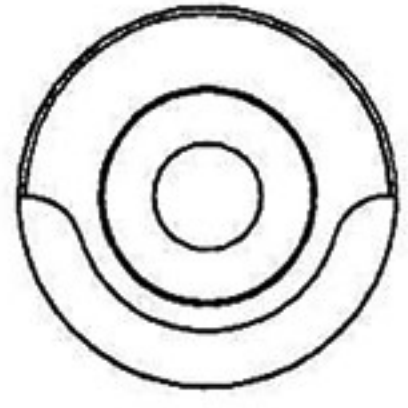
50



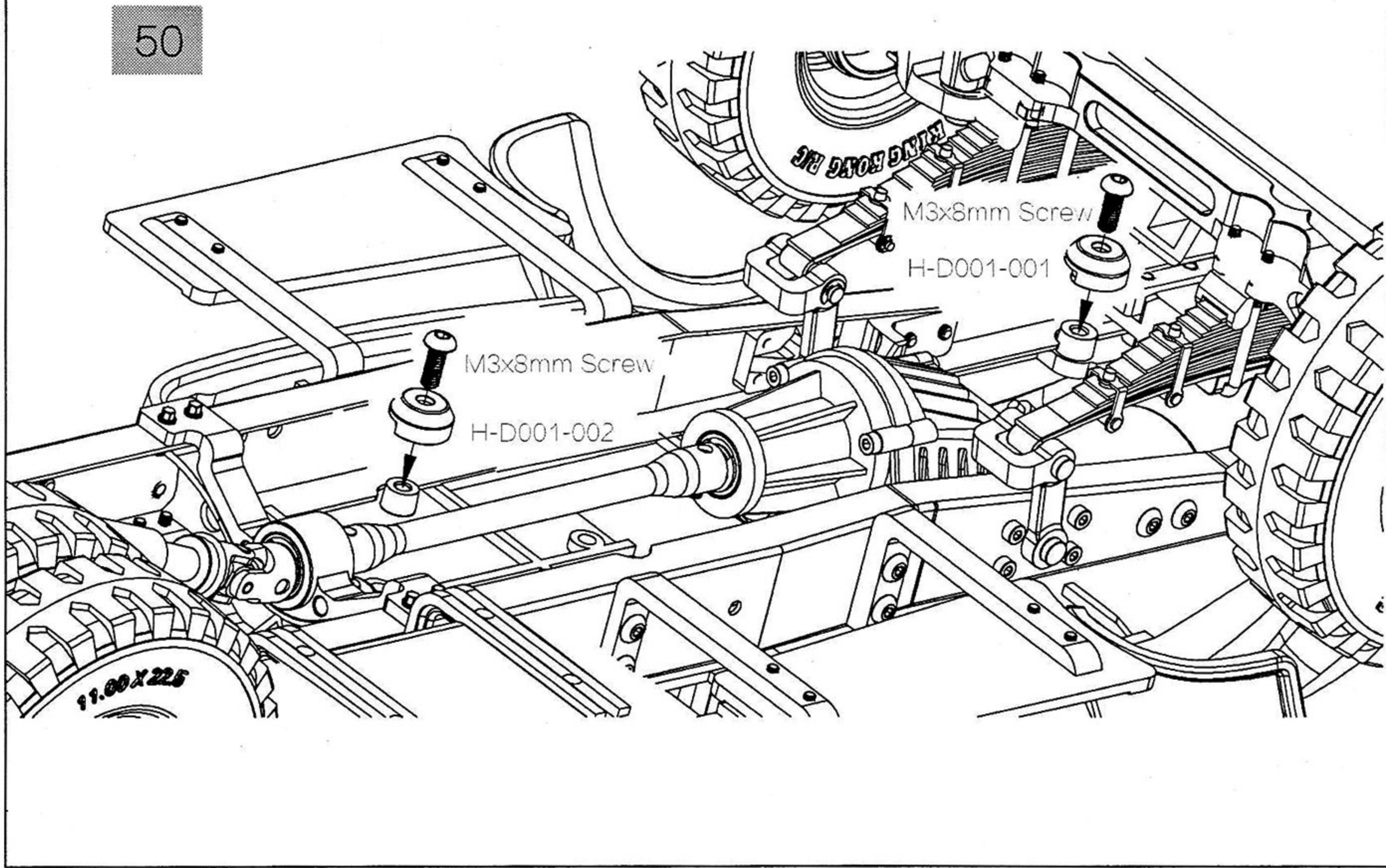
M3x8mm Screw//



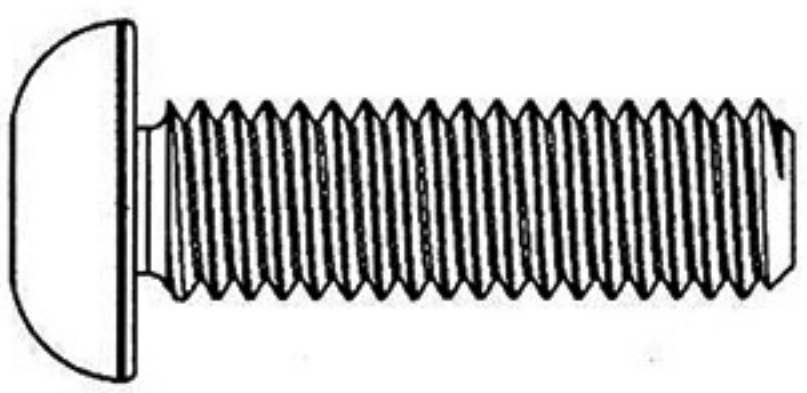
H-D001-001



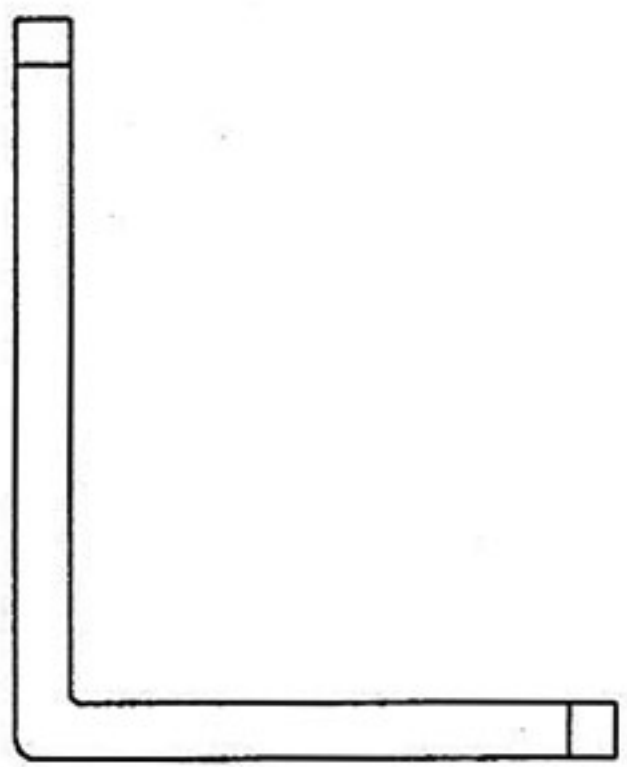
H-D001-002



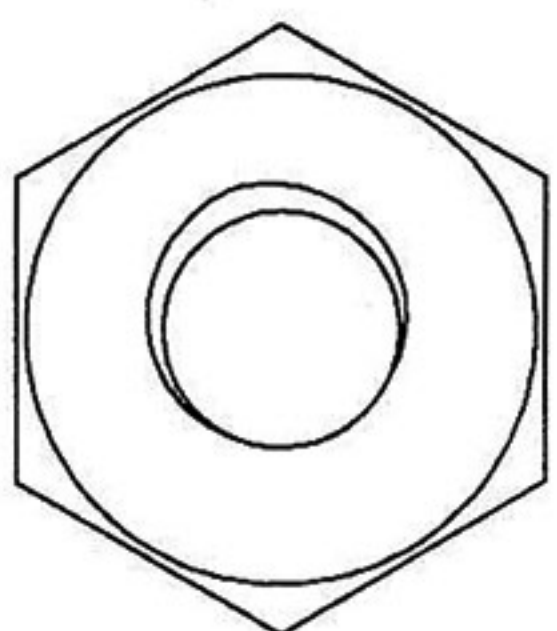
51



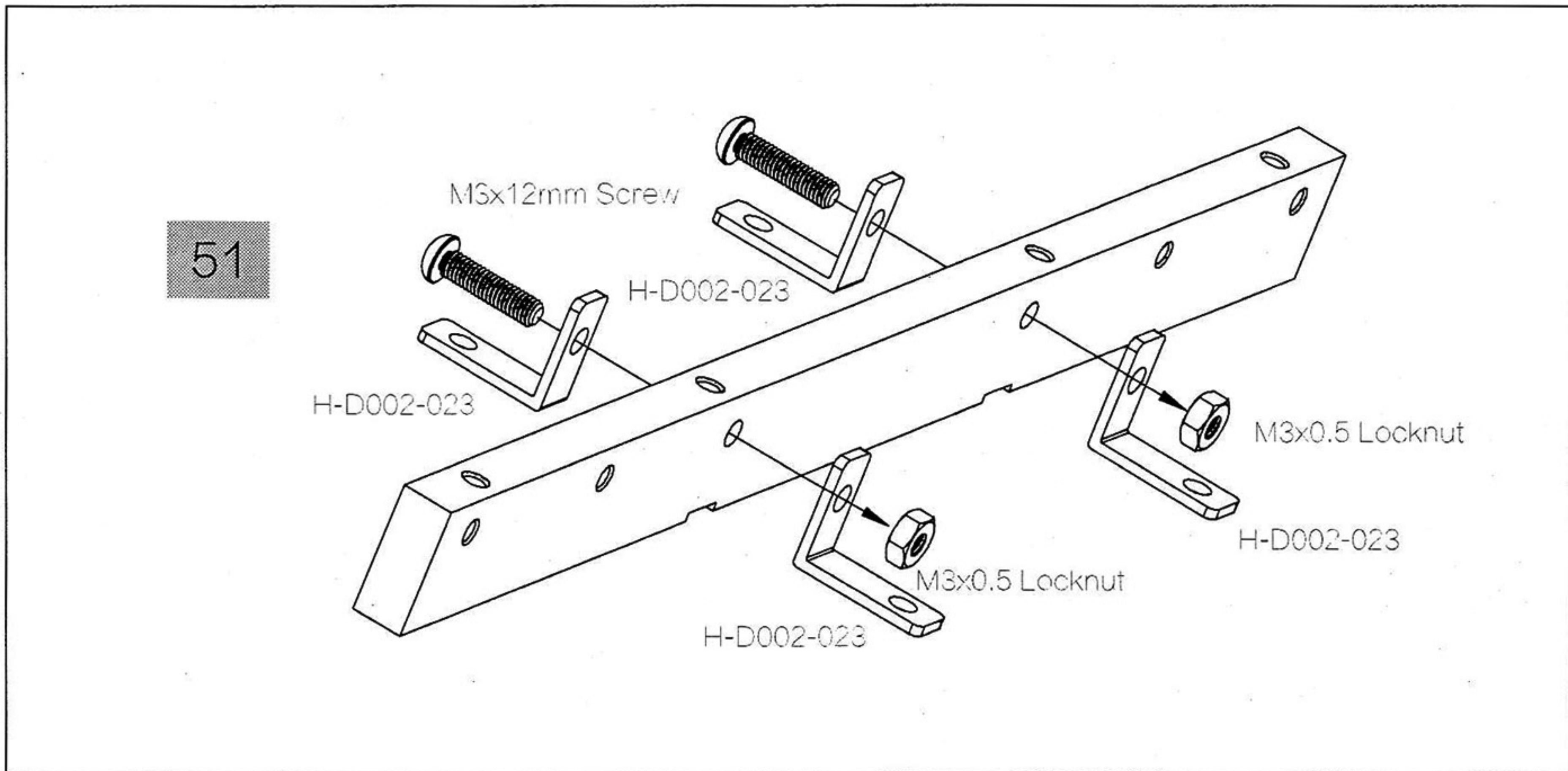
M3x12mm Screw x 2



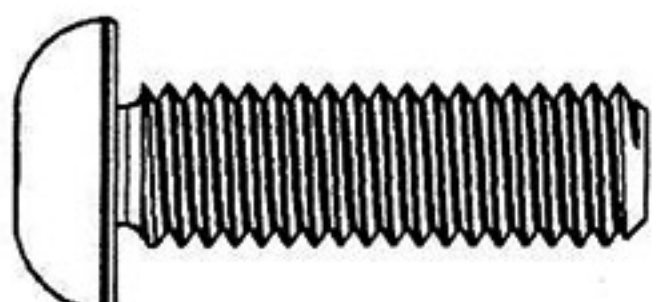
H-D002-023 x 4



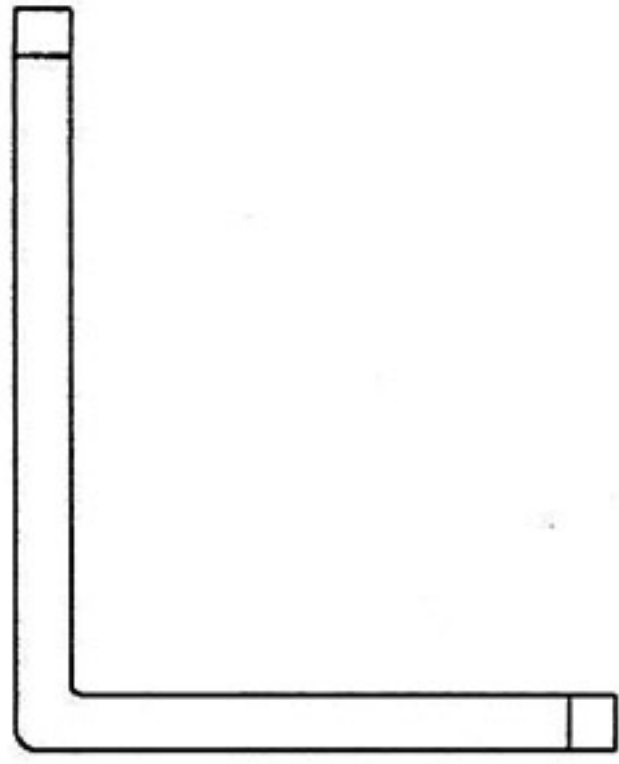
M3x0.5 Locknut x 2



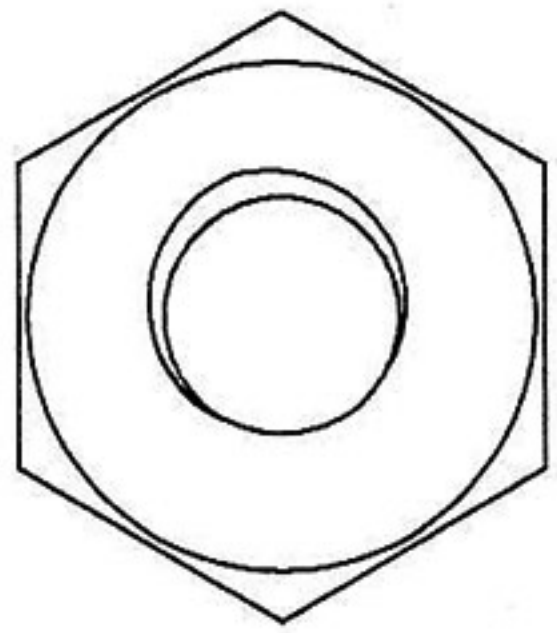
52



M3x12mm Screw x 2

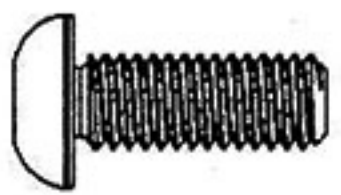


H-D002-023 x 4



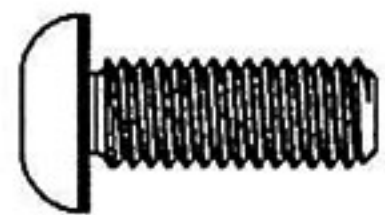
M3x0.5 Locknut x 2

53

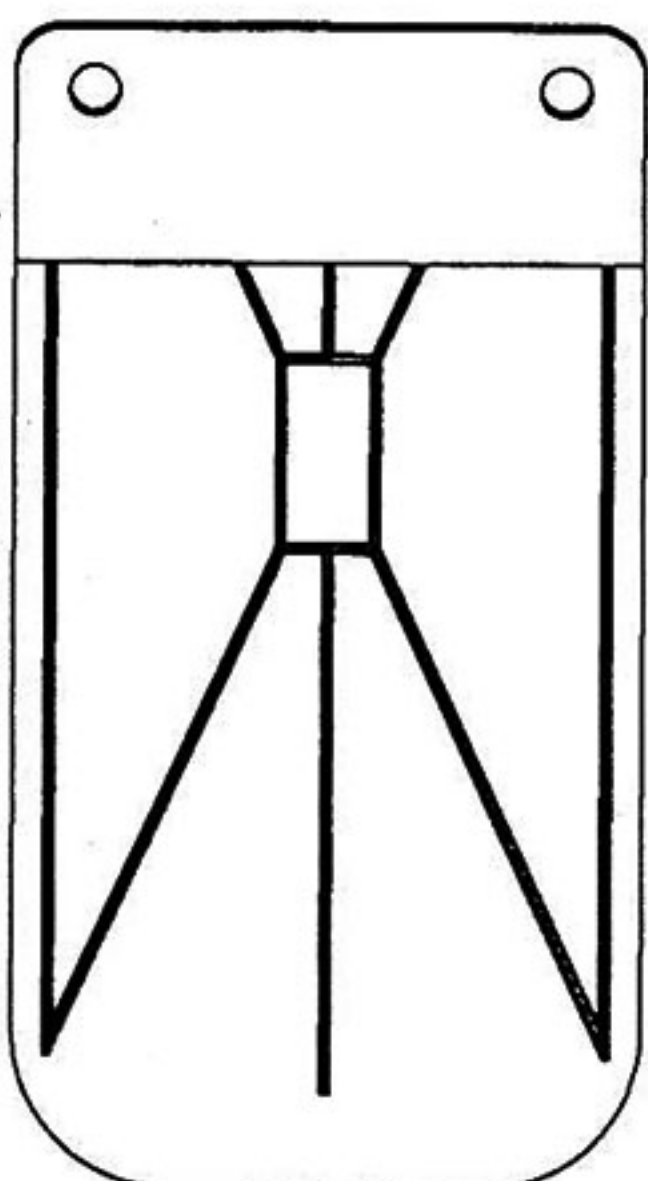


M3x6mm Screw x 8

54

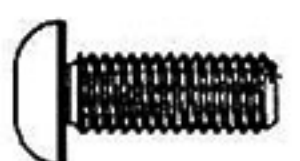


M3x8mm Screw x 8



H-D002-030 x 4

55

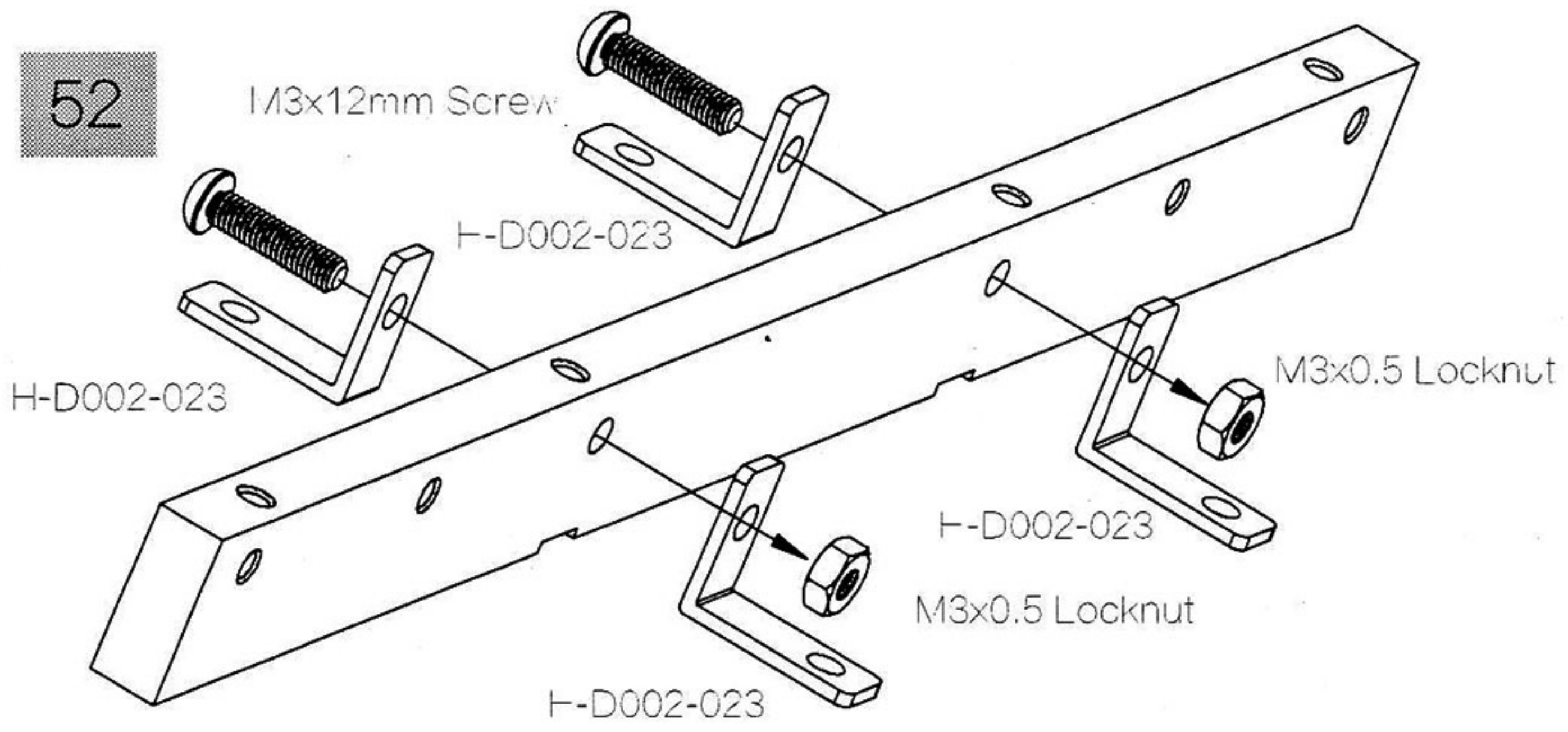


M3x6mm Screw x 4

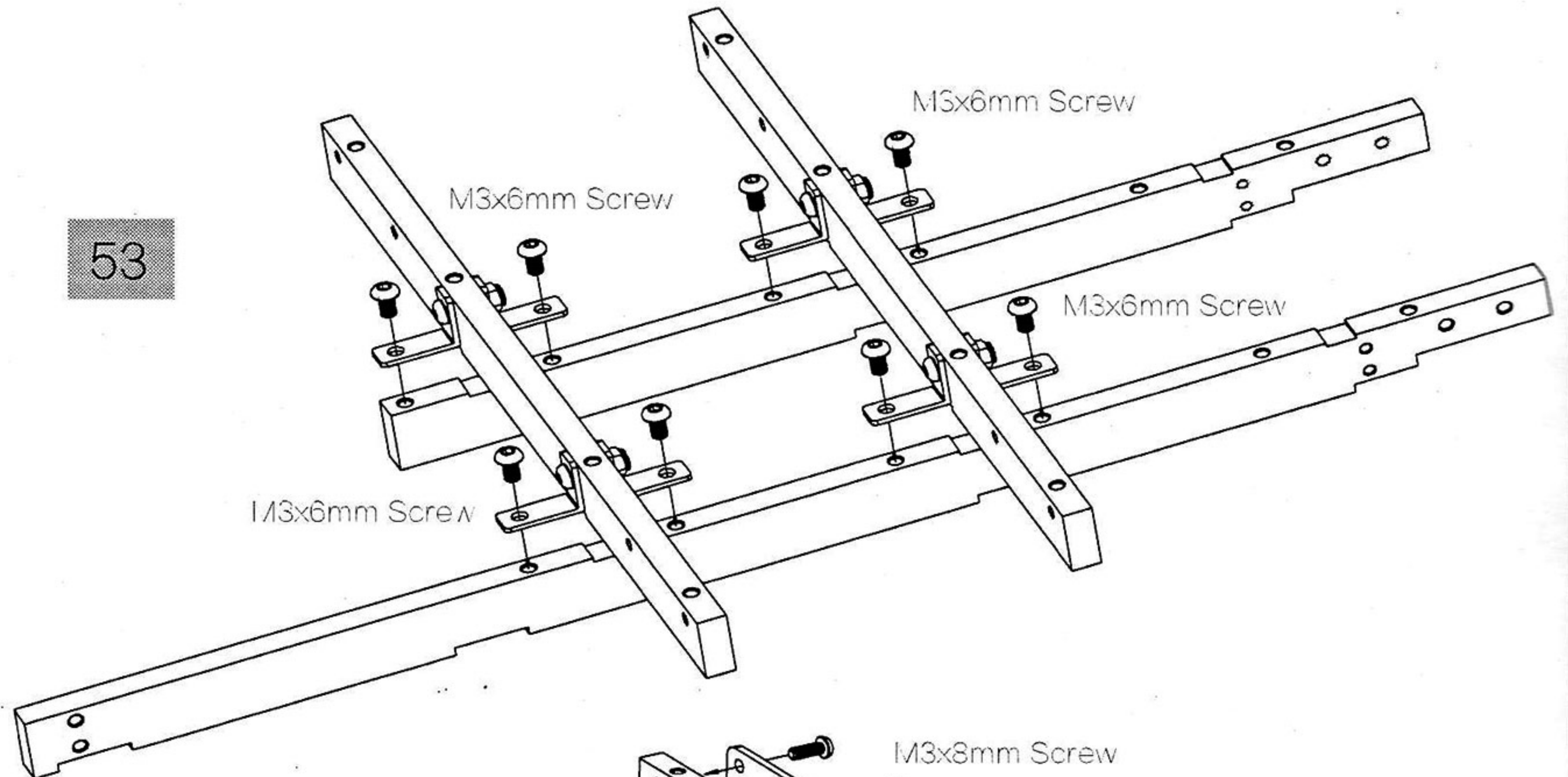


M3x12mm Screw x 2

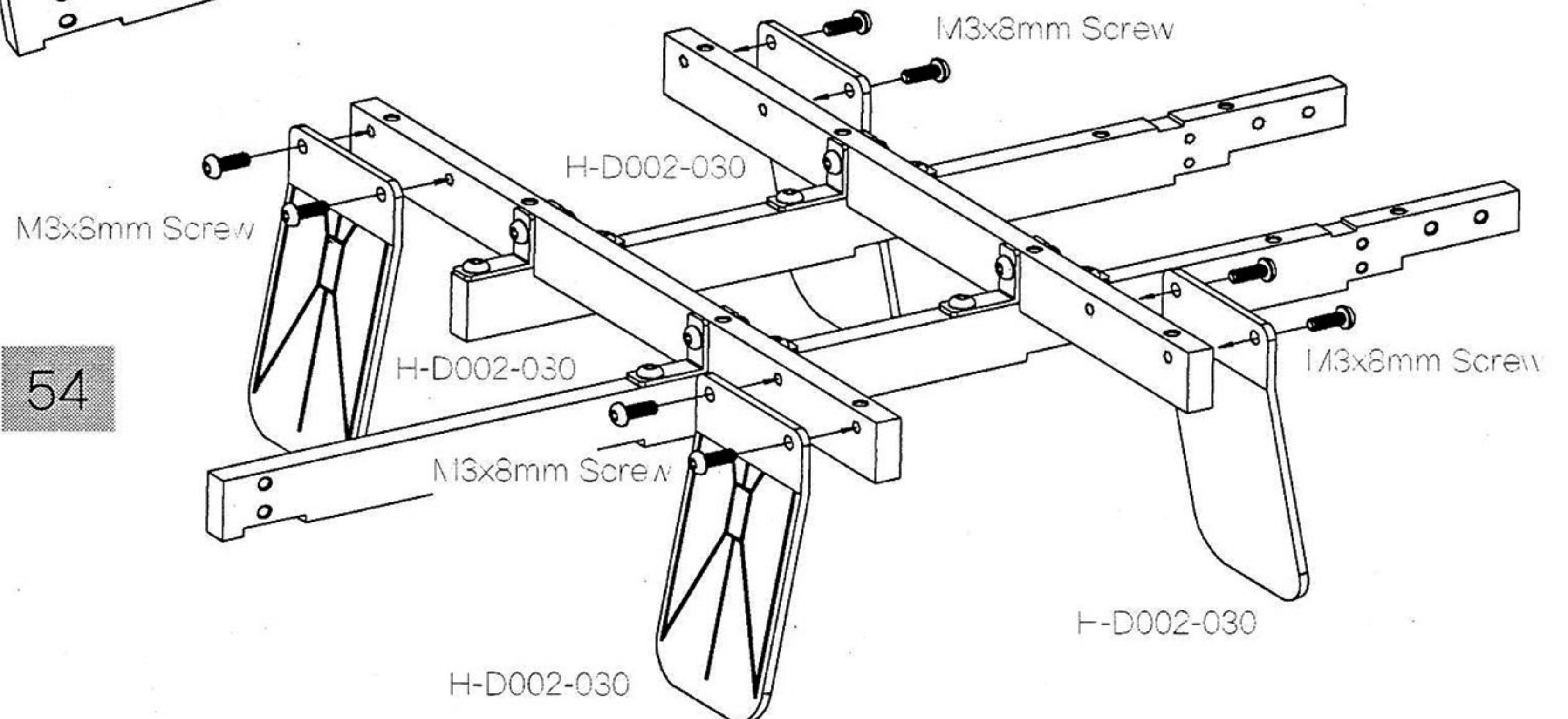
52



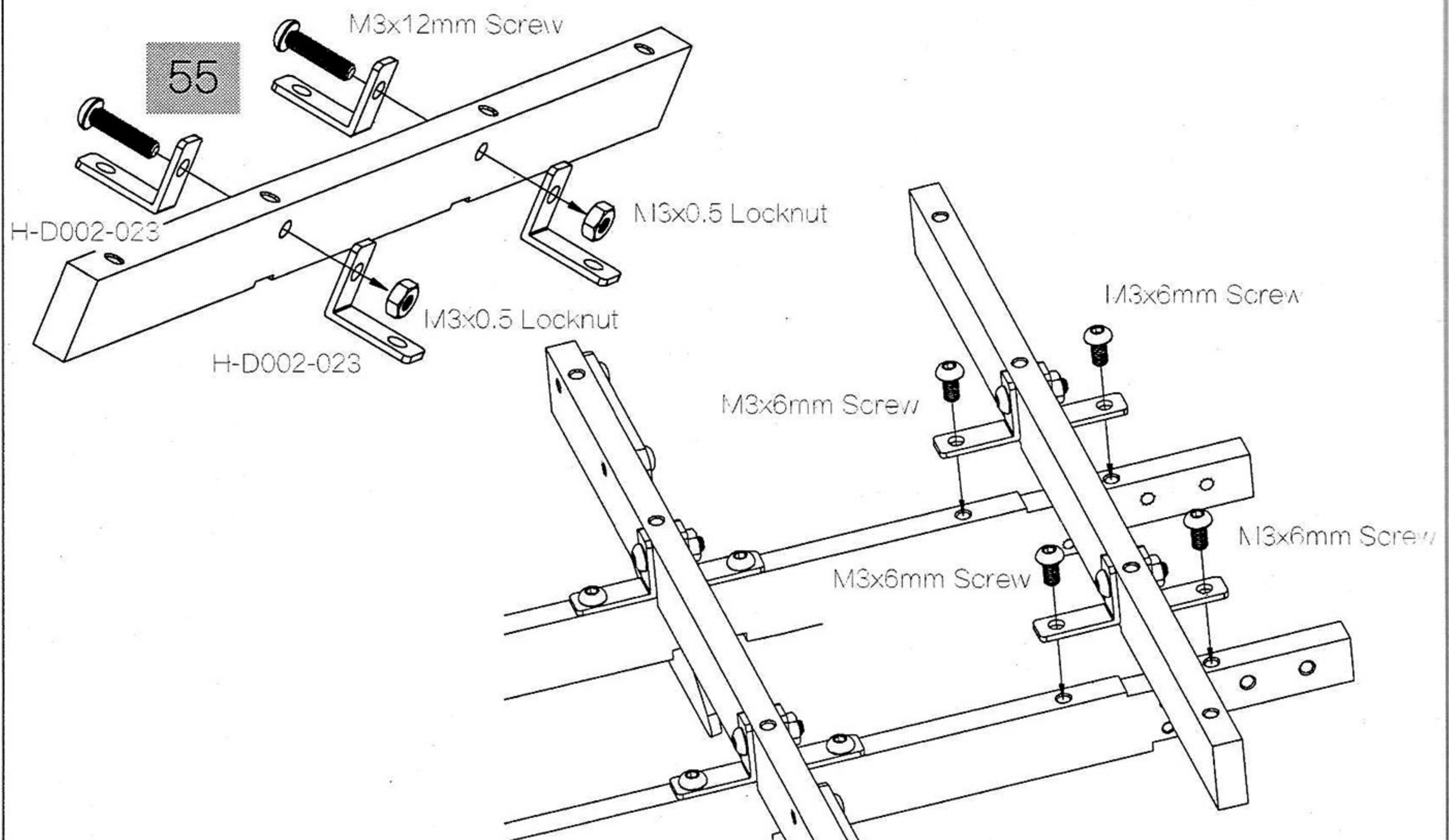
53



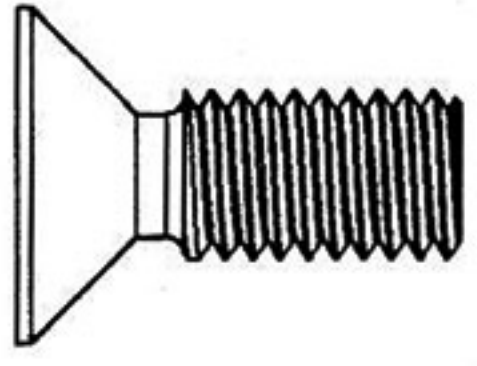
54



55

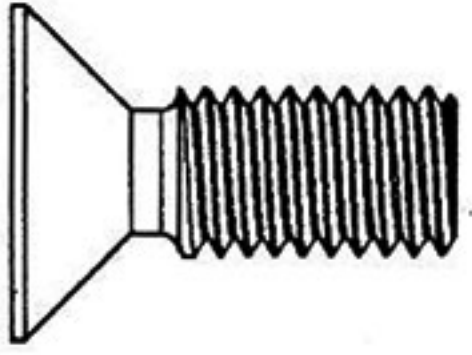


56



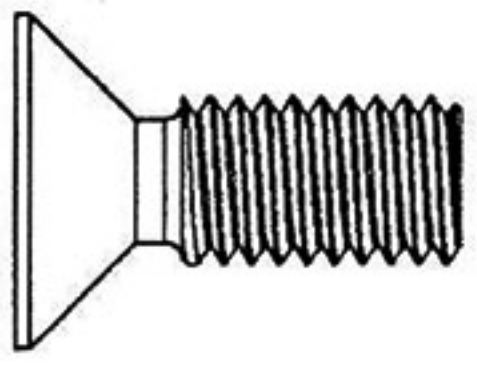
M3x8mm Screw x 3

57



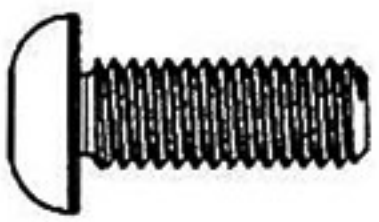
M3x8mm Screw x 6

58

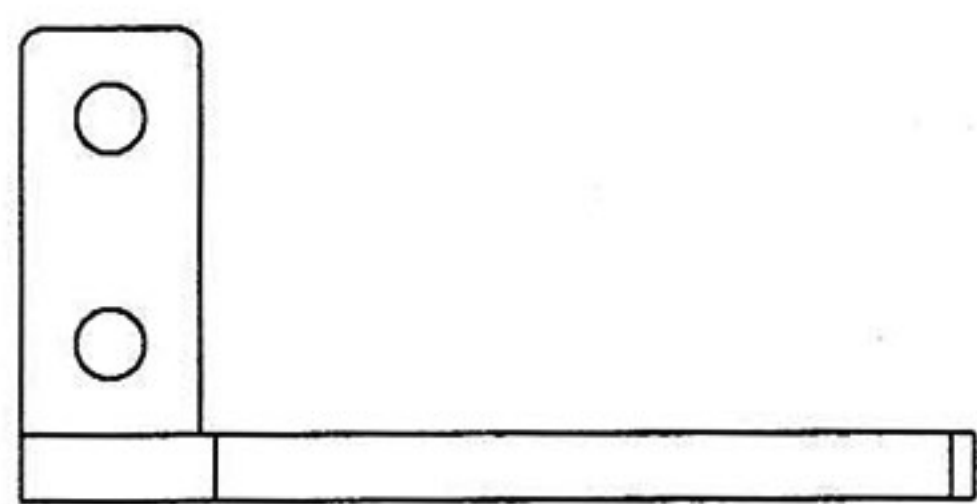


M3x8mm Screw x 3

59

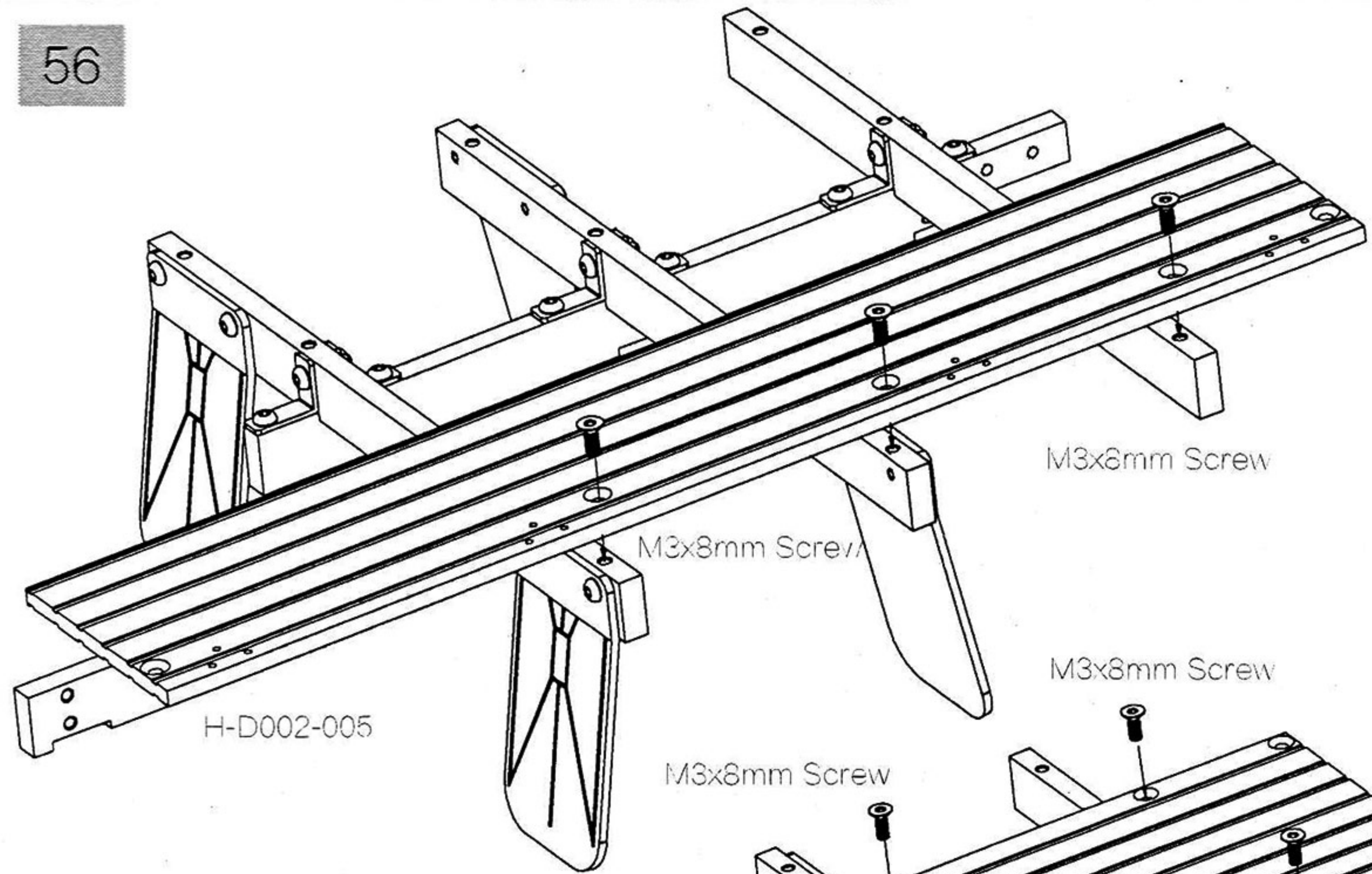


M3x8mm Screw x 4



H-D002-025 x 2

56



H-D002-005

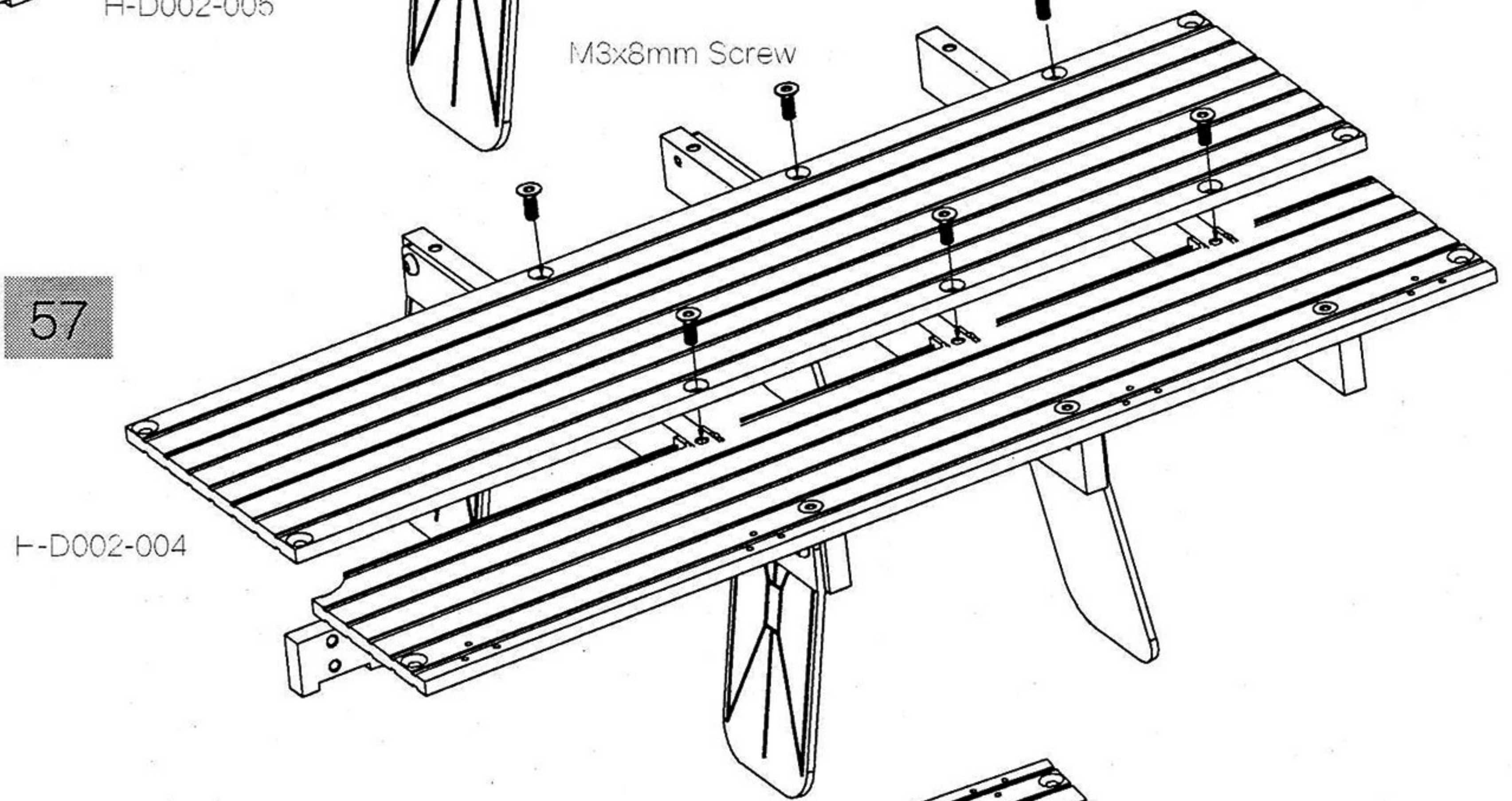
M3x8mm Screw

M3x8mm Screw

M3x8mm Screw

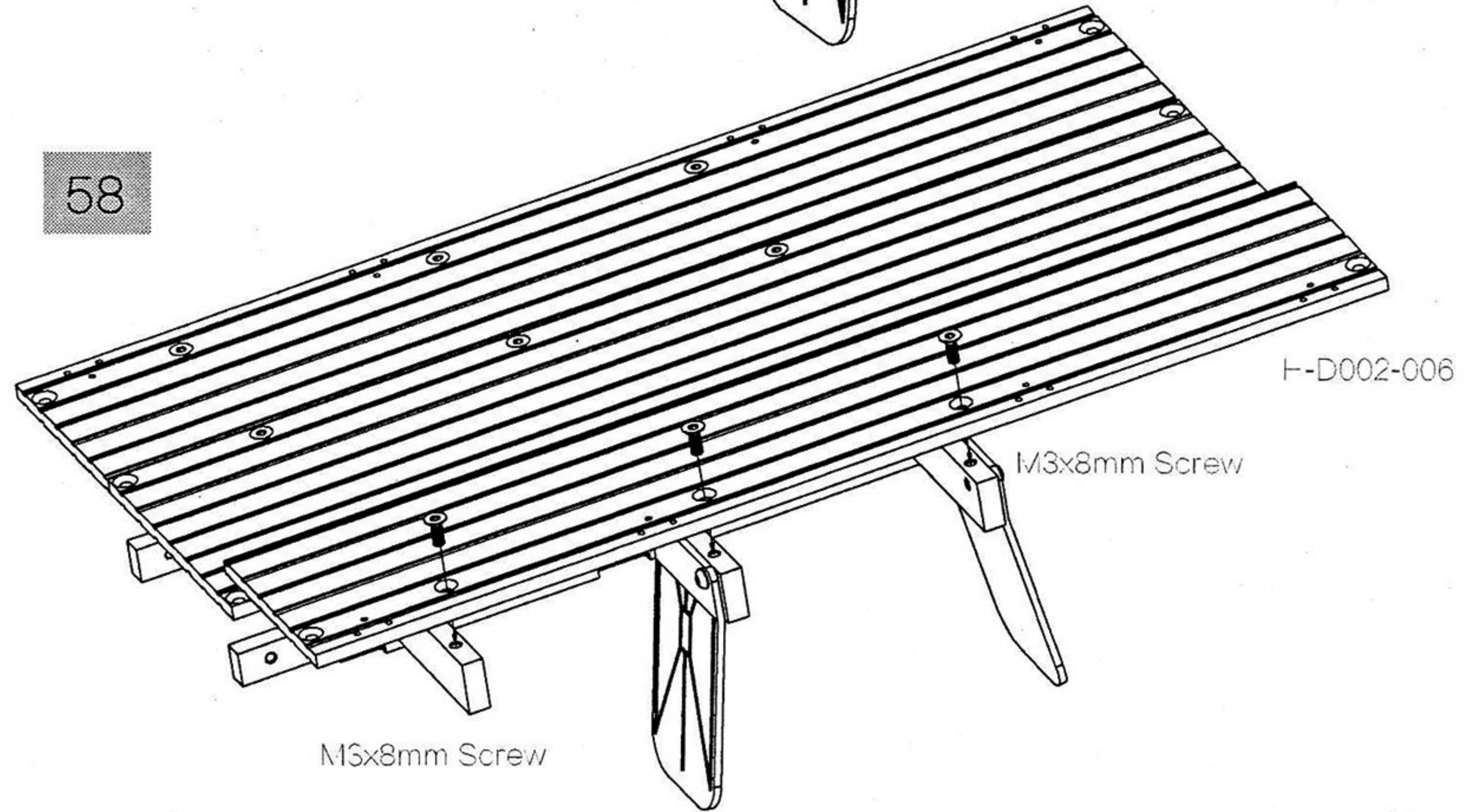
M3x8mm Screw

57



H-D002-004

58



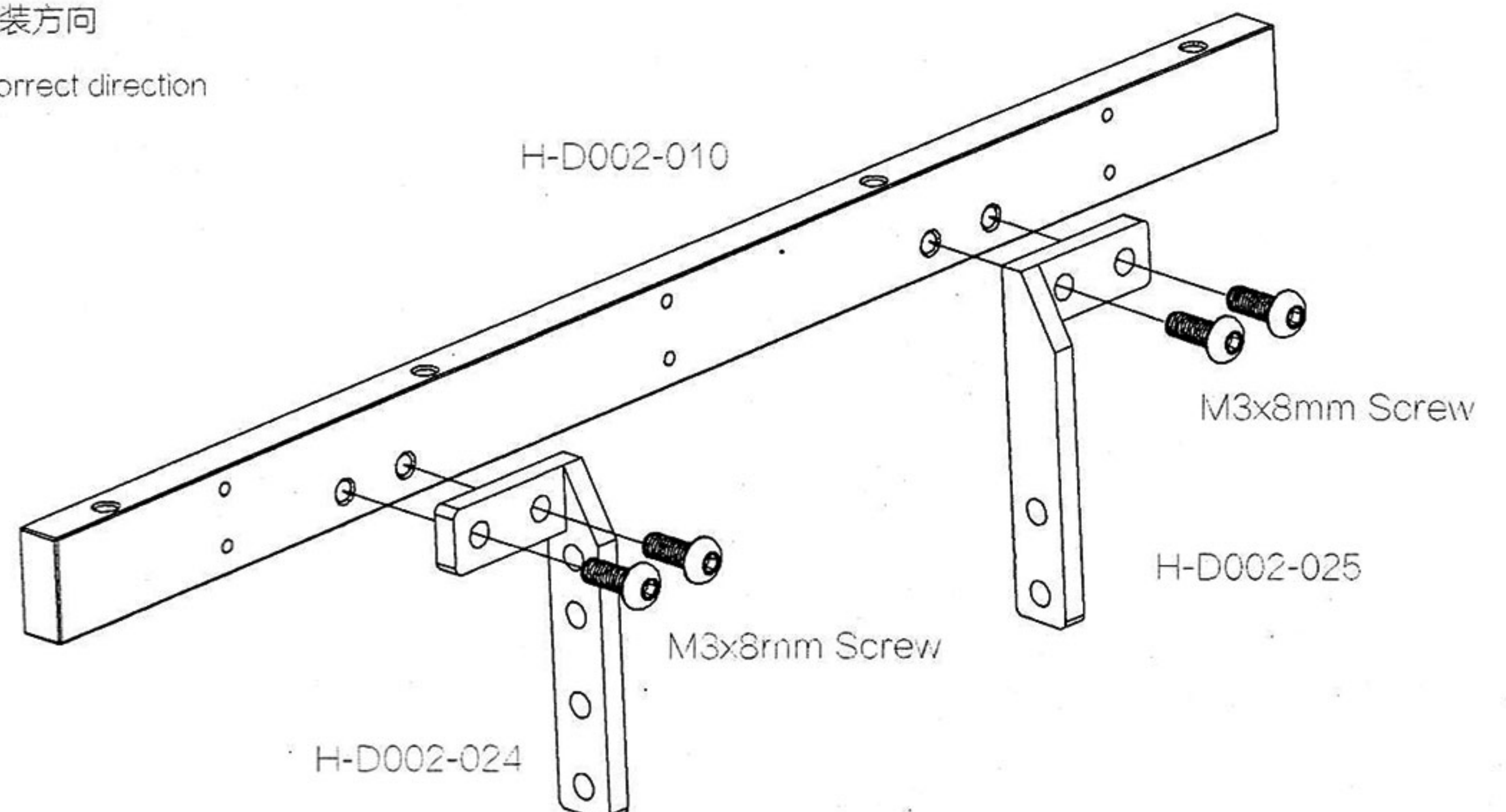
H-D002-006

M3x8mm Screw

M3x8mm Screw

59

注意安装方向
Attention the correct direction



H-D002-010

M3x8mm Screw

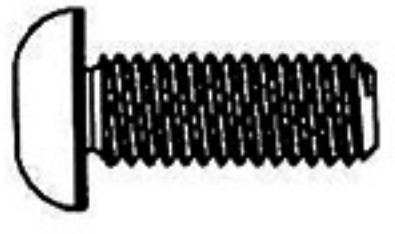
H-D002-025

M3x8mm Screw

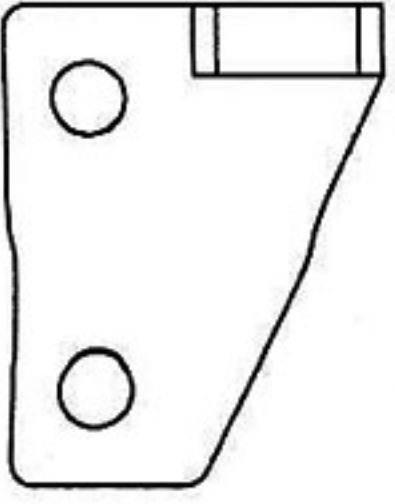
H-D002-024

KINGKONG R/C

60

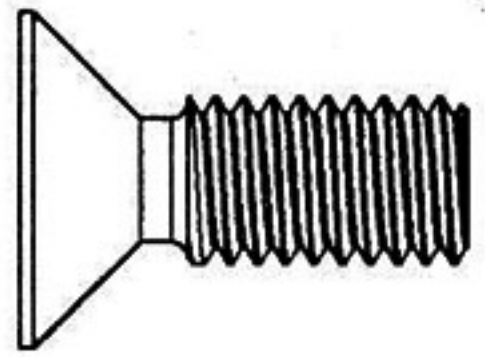


M3x8mm Screw x 4



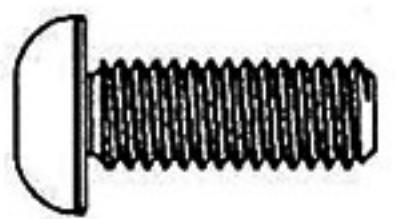
H-D002-026/027 x 2

61/62



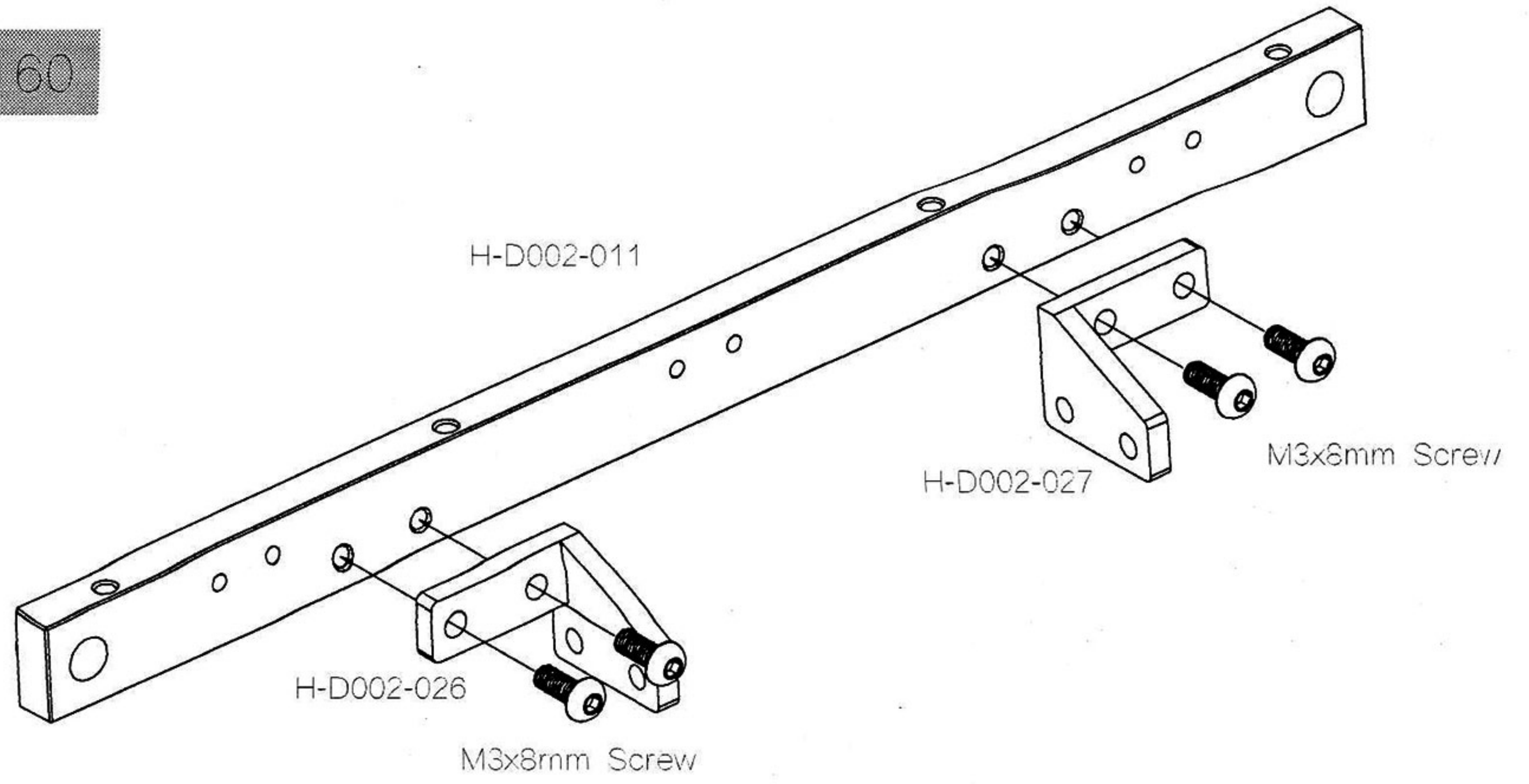
M3x8mm Screw x 8

63

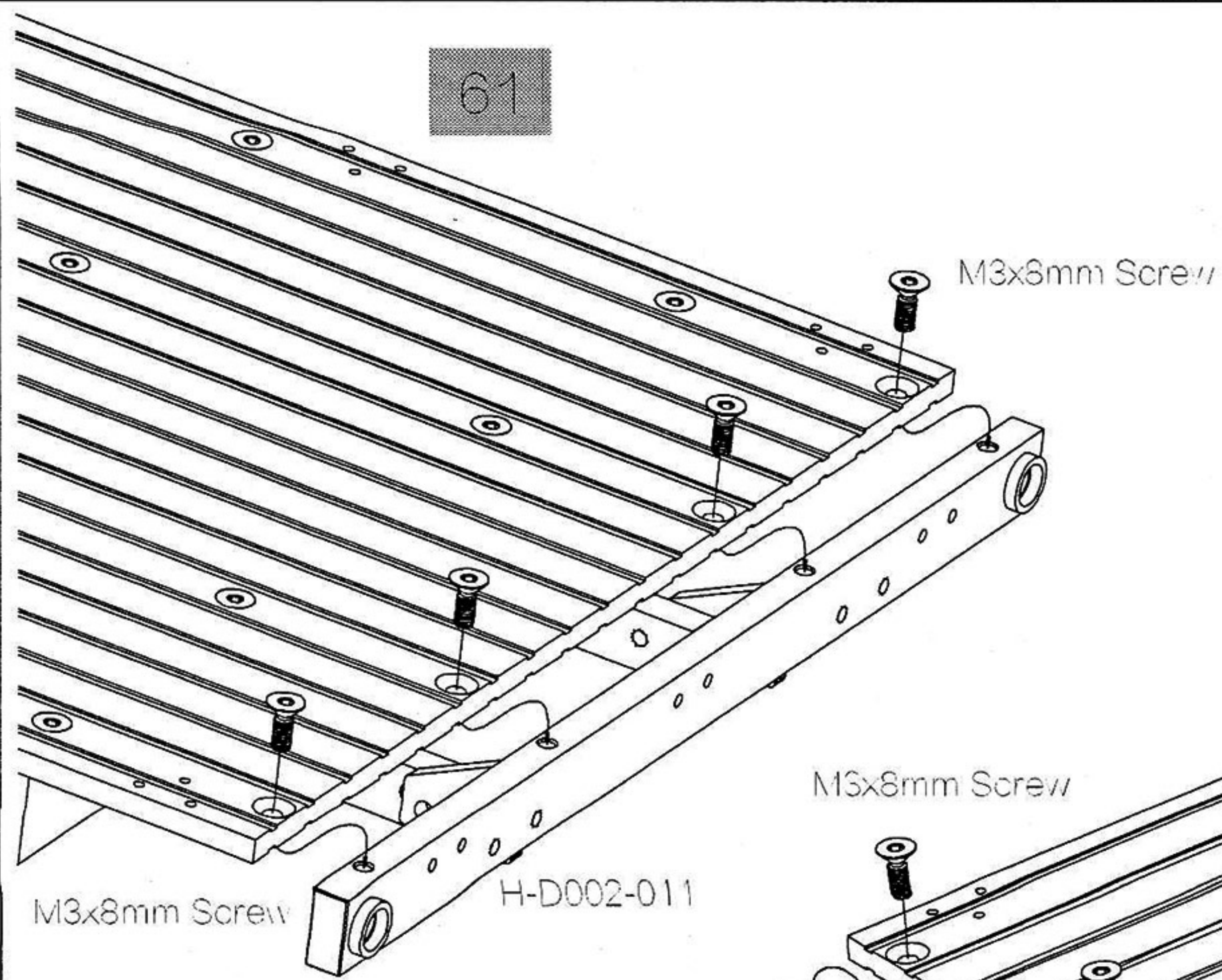


M3x8mm Screw x 4

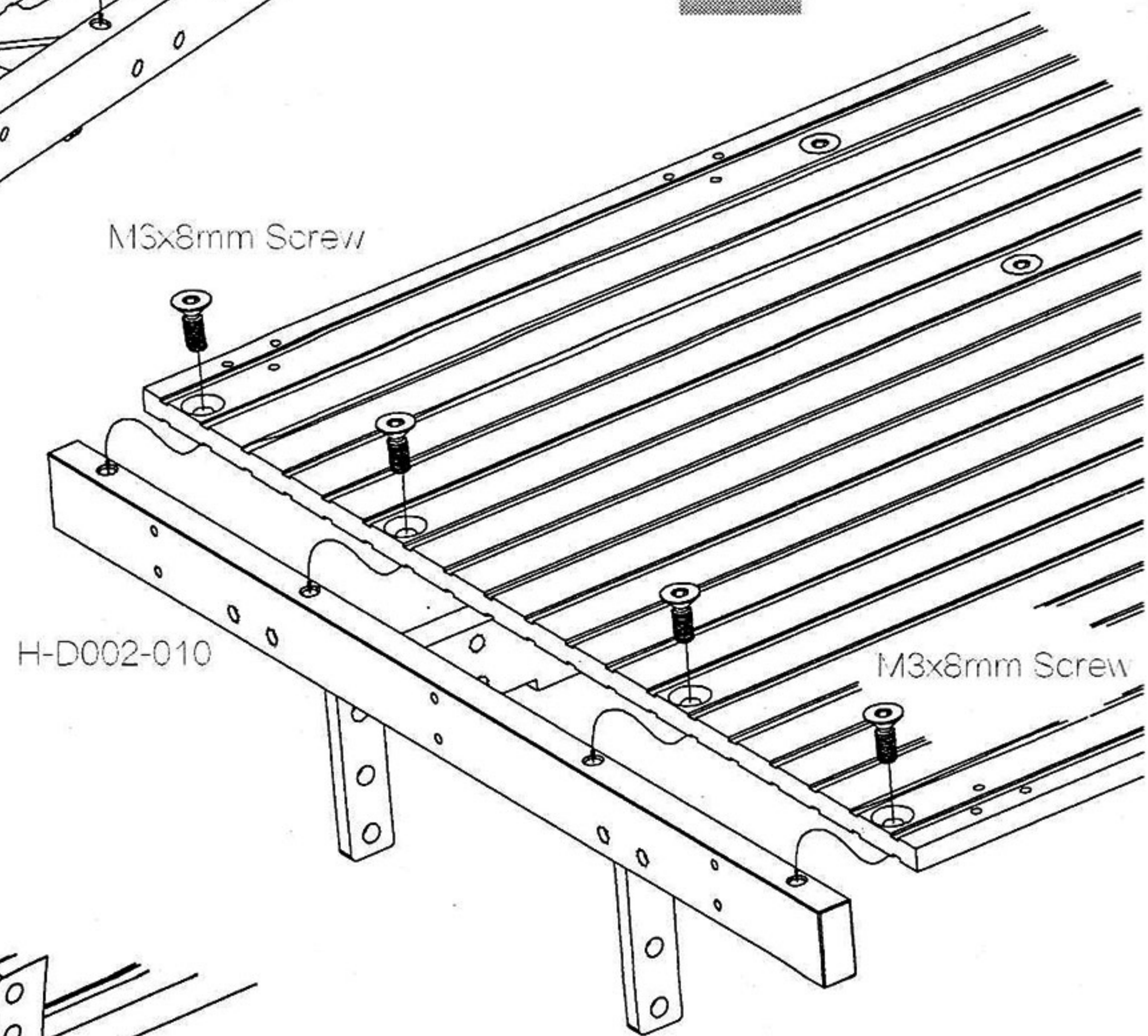
60



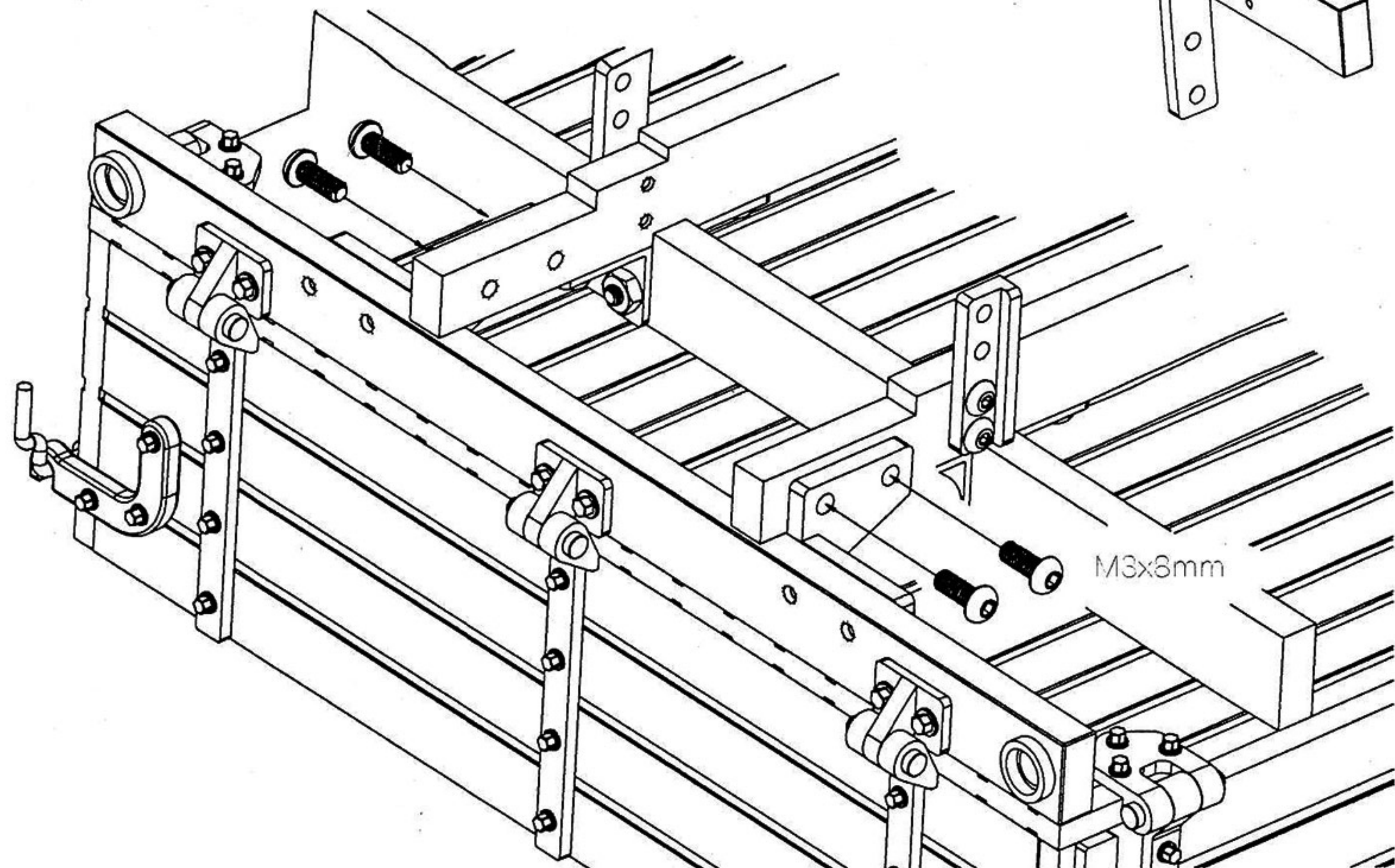
61



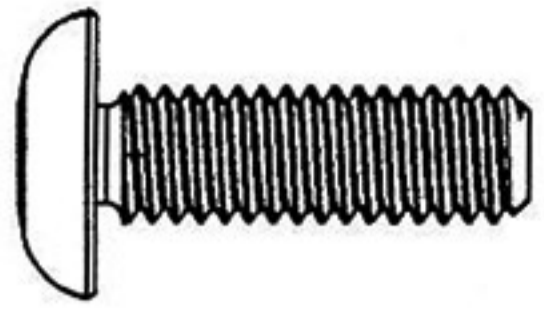
62



63

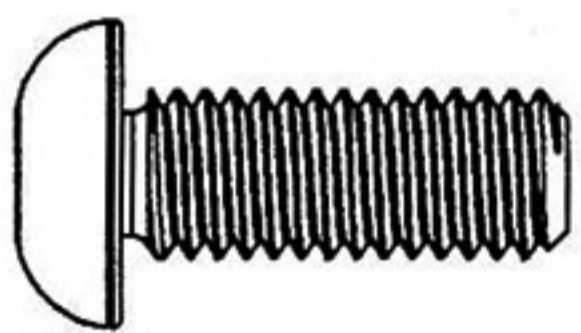


64



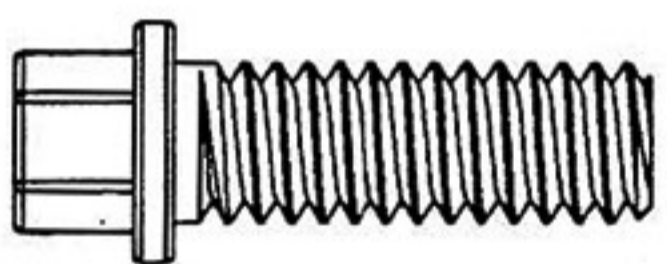
M2.5x8mm Screw x 4

65

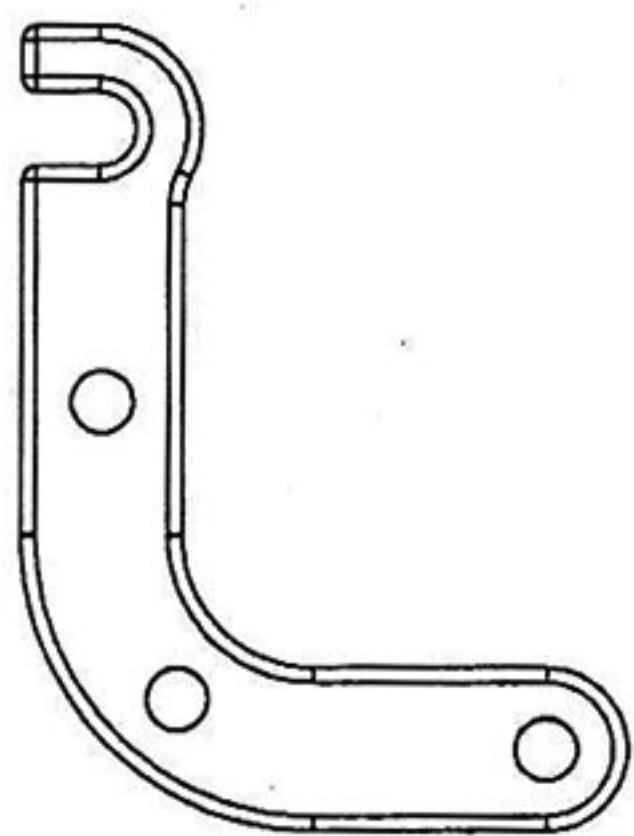


M3x8mm Screw x 2

66

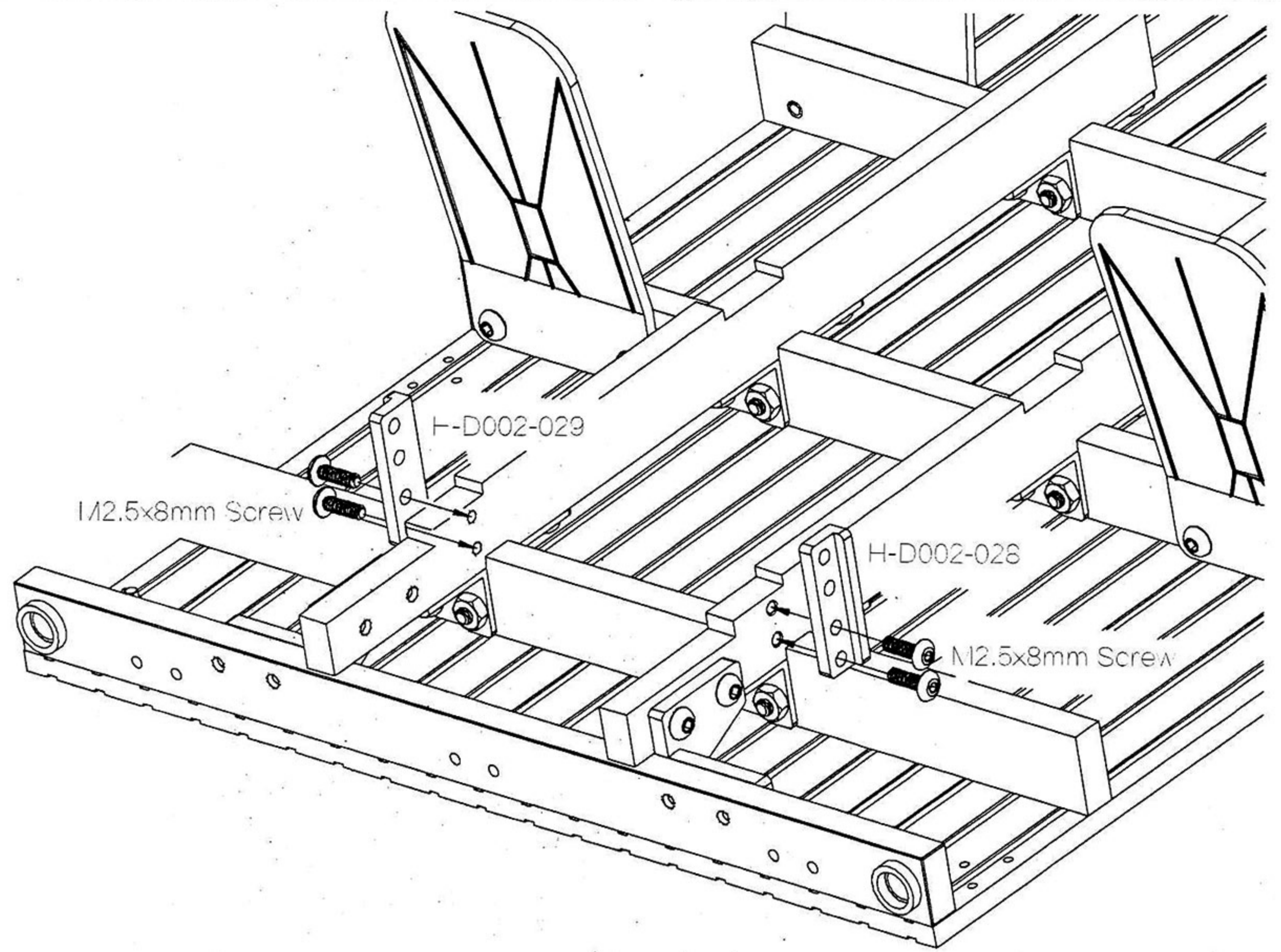


M2x6mm Screw x 18



H-D002-022 x 2

64



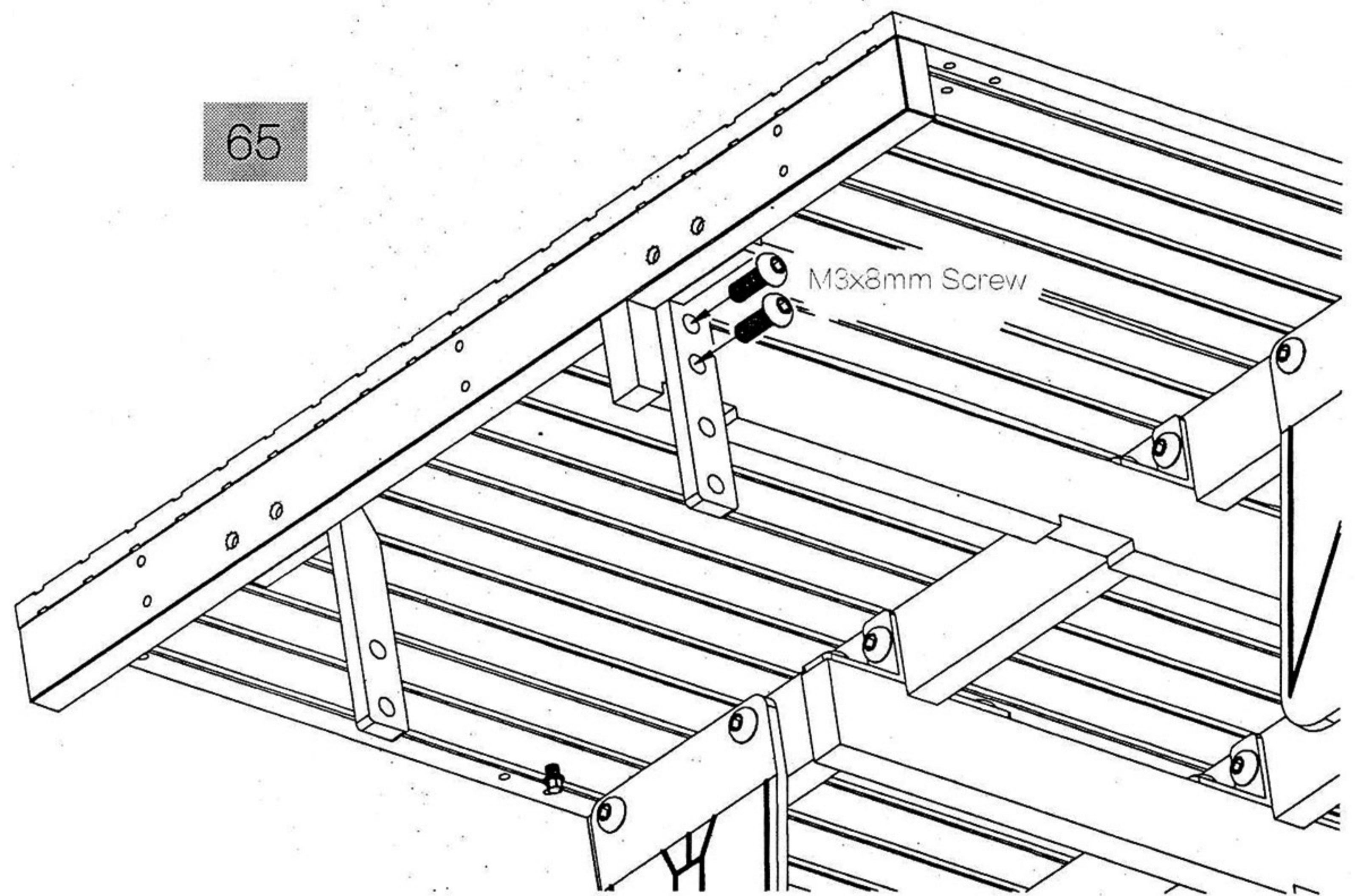
M2.5x8mm Screw

H-D002-029

H-D002-028

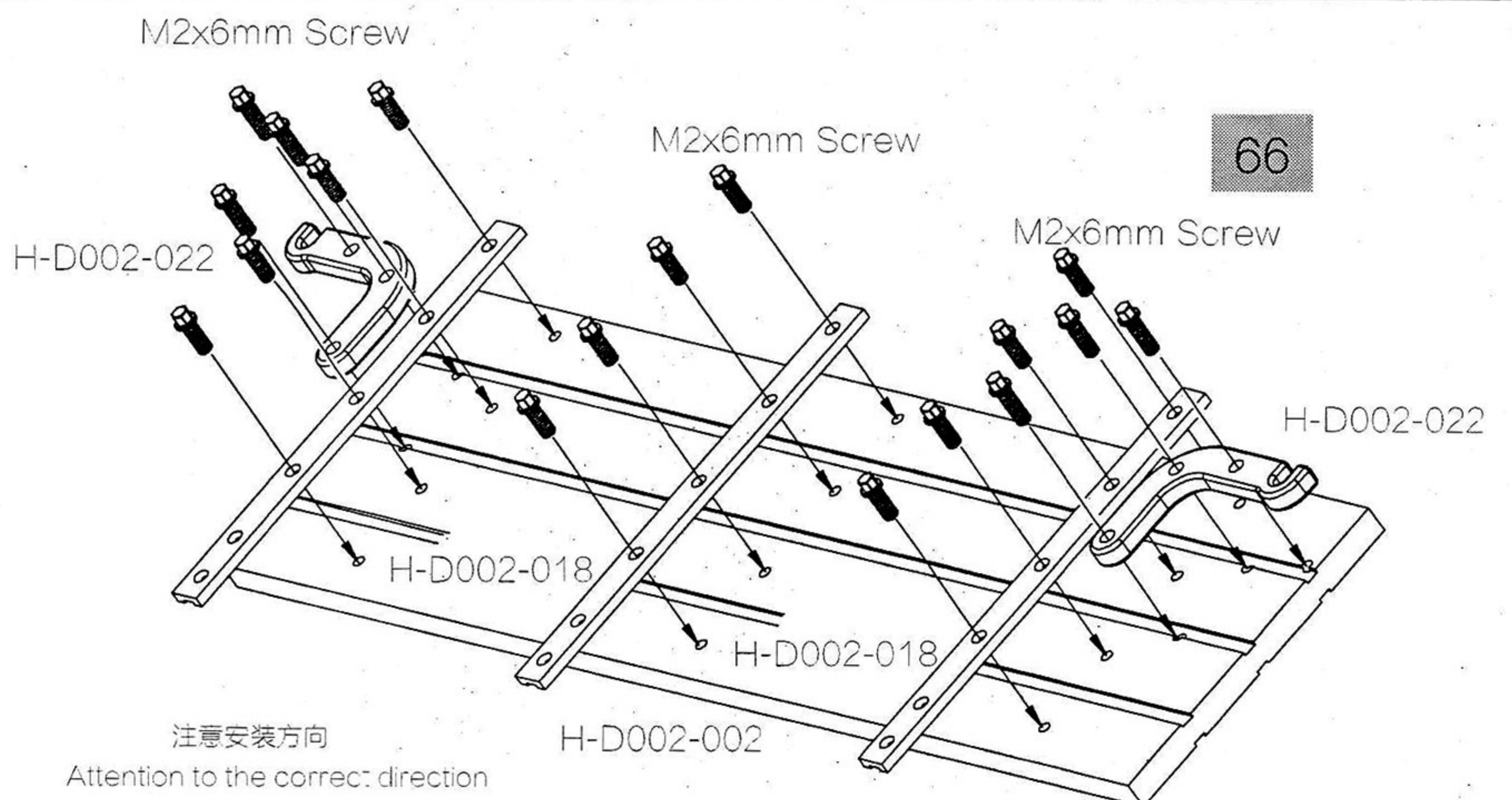
M2.5x8mm Screw

65



M3x8mm Screw

66



M2x6mm Screw

M2x6mm Screw

M2x6mm Screw

H-D002-022

H-D002-022

H-D002-018

H-D002-018

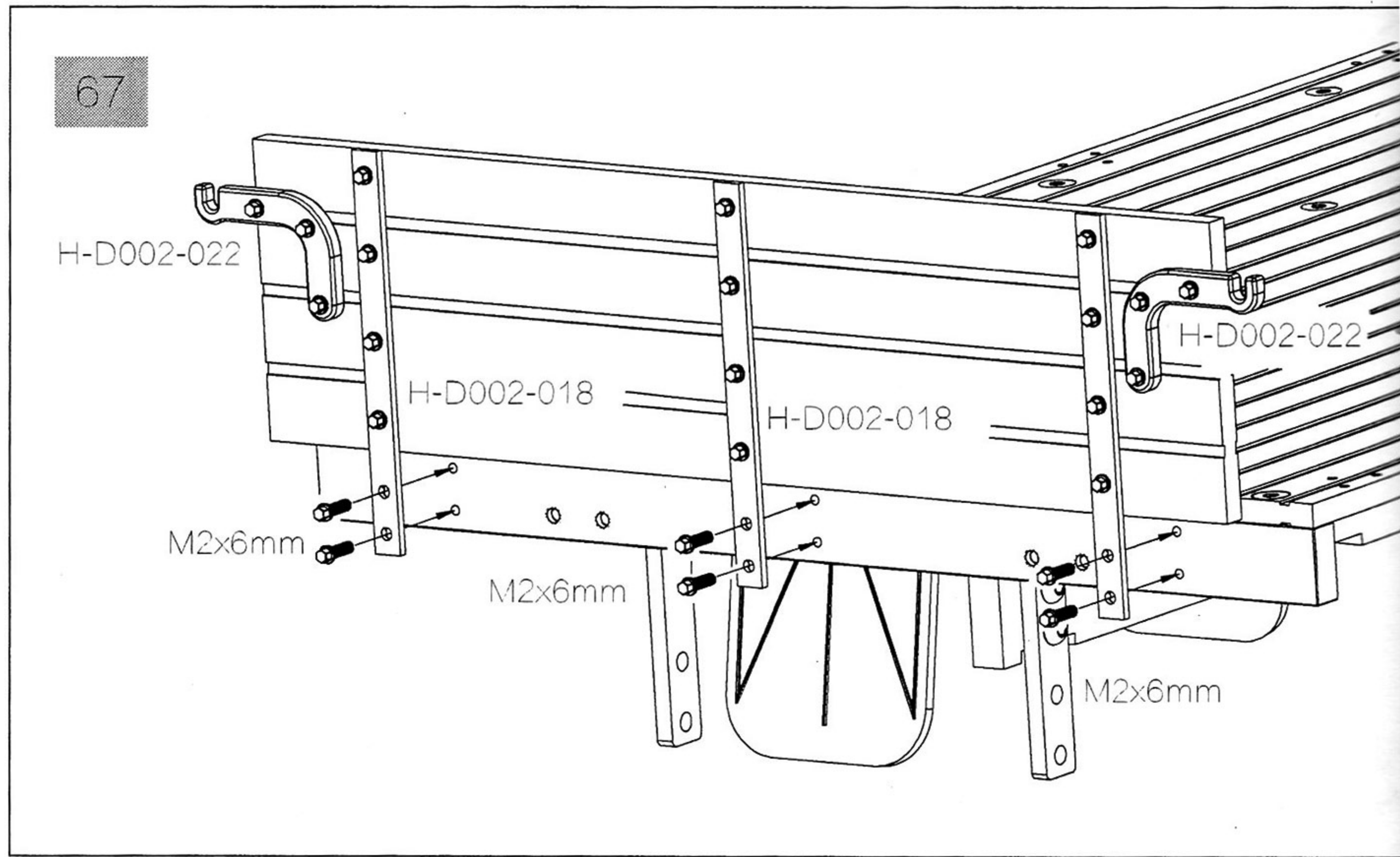
H-D002-002

注意安装方向
Attention to the correct direction

67



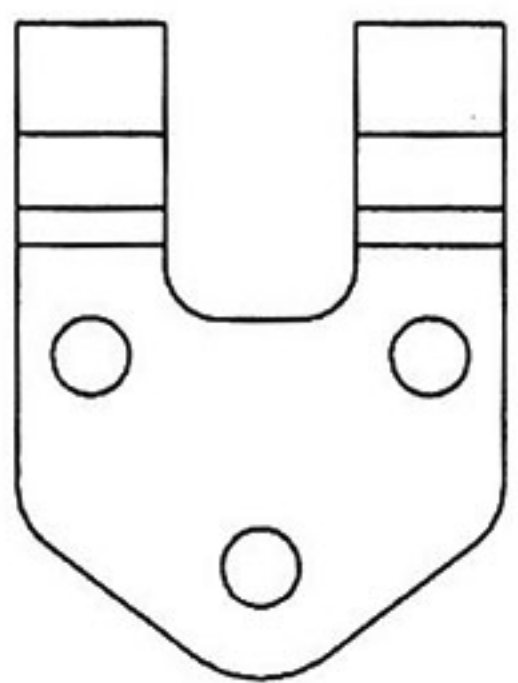
M2x6mm Screw
M2x6mm Screw x 6



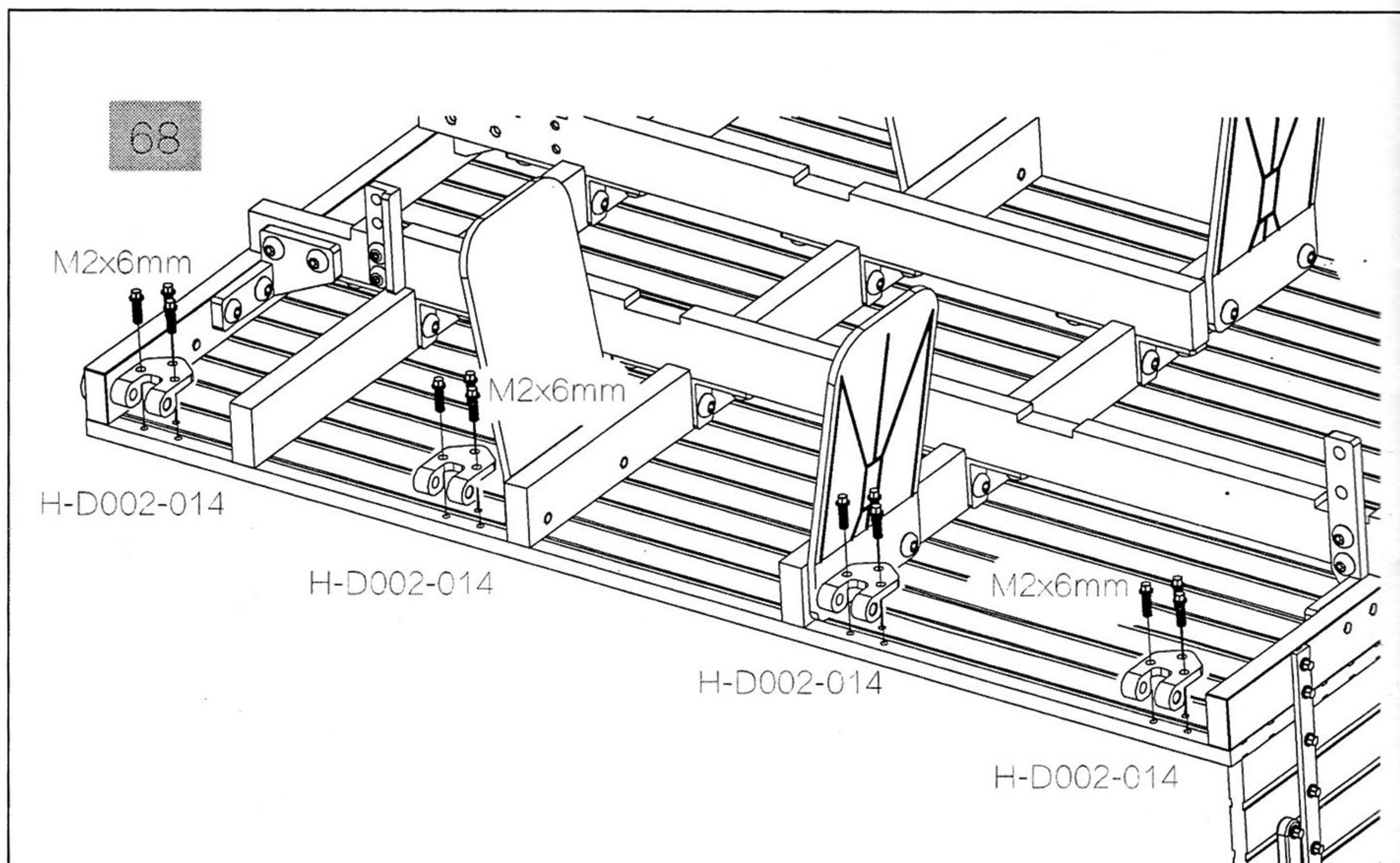
68



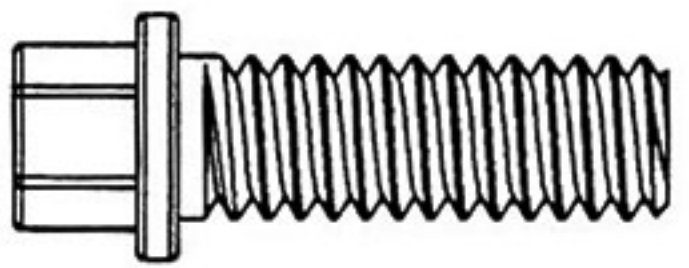
M2x6mm Screw
M2x6mm Screw x 12



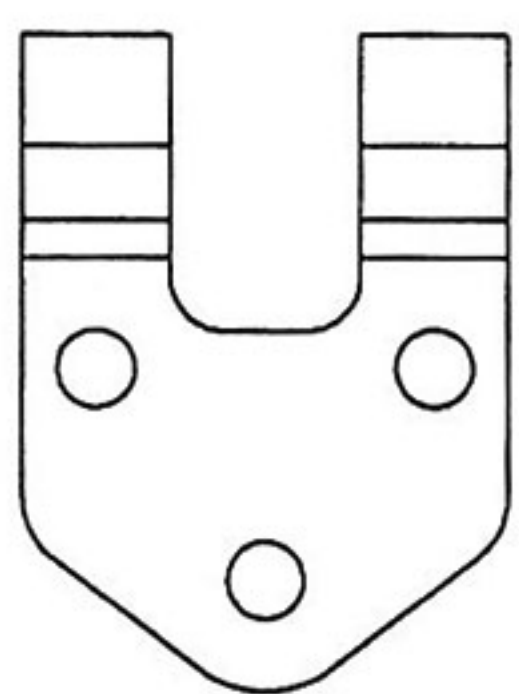
H-D002-014
H-D002-014 x4



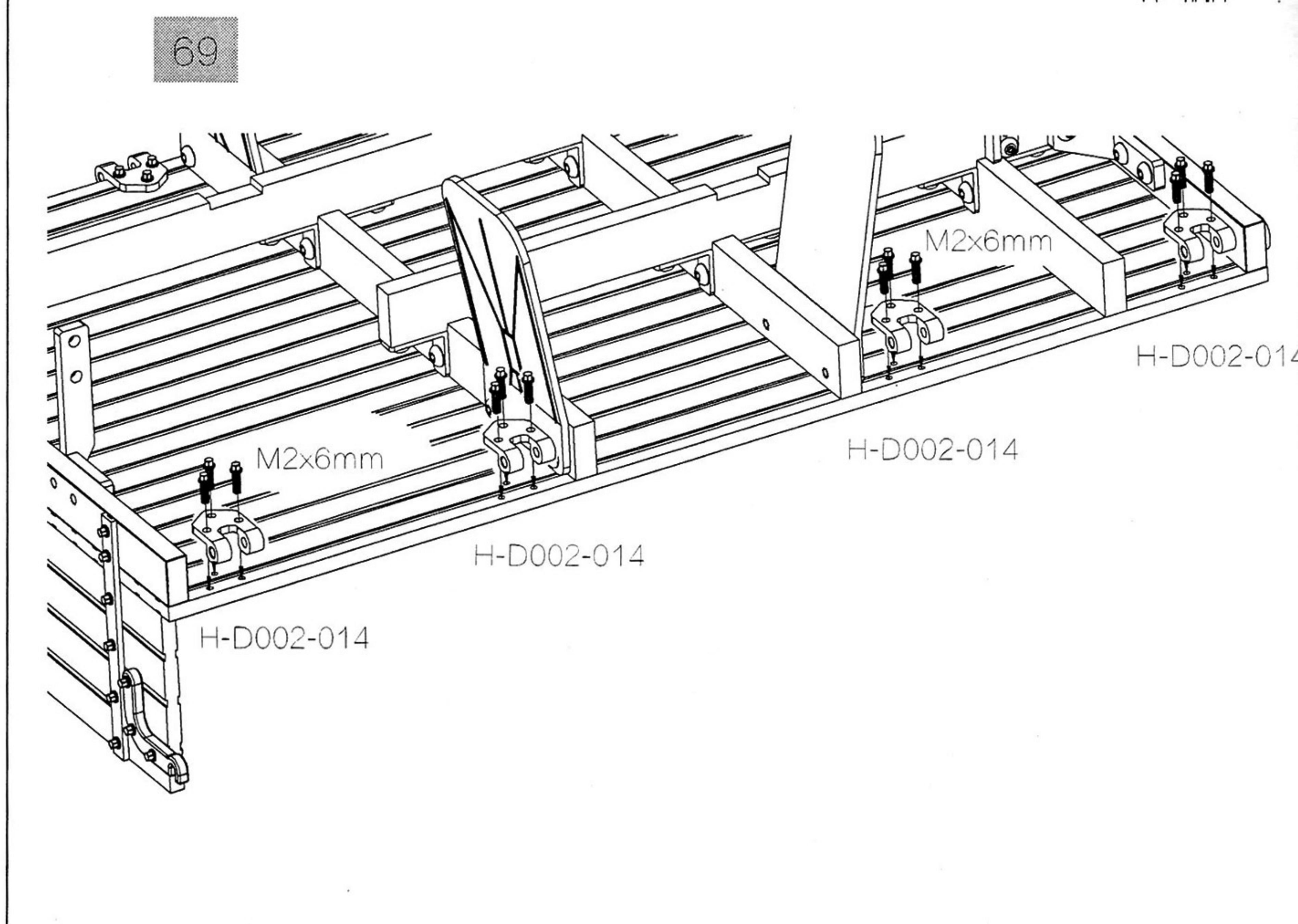
69



M2x6mm Screw
M2x6mm Screw x 12

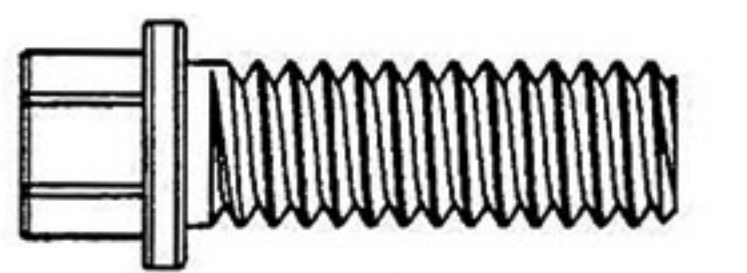


H-D002-014
H-D002-014 x4

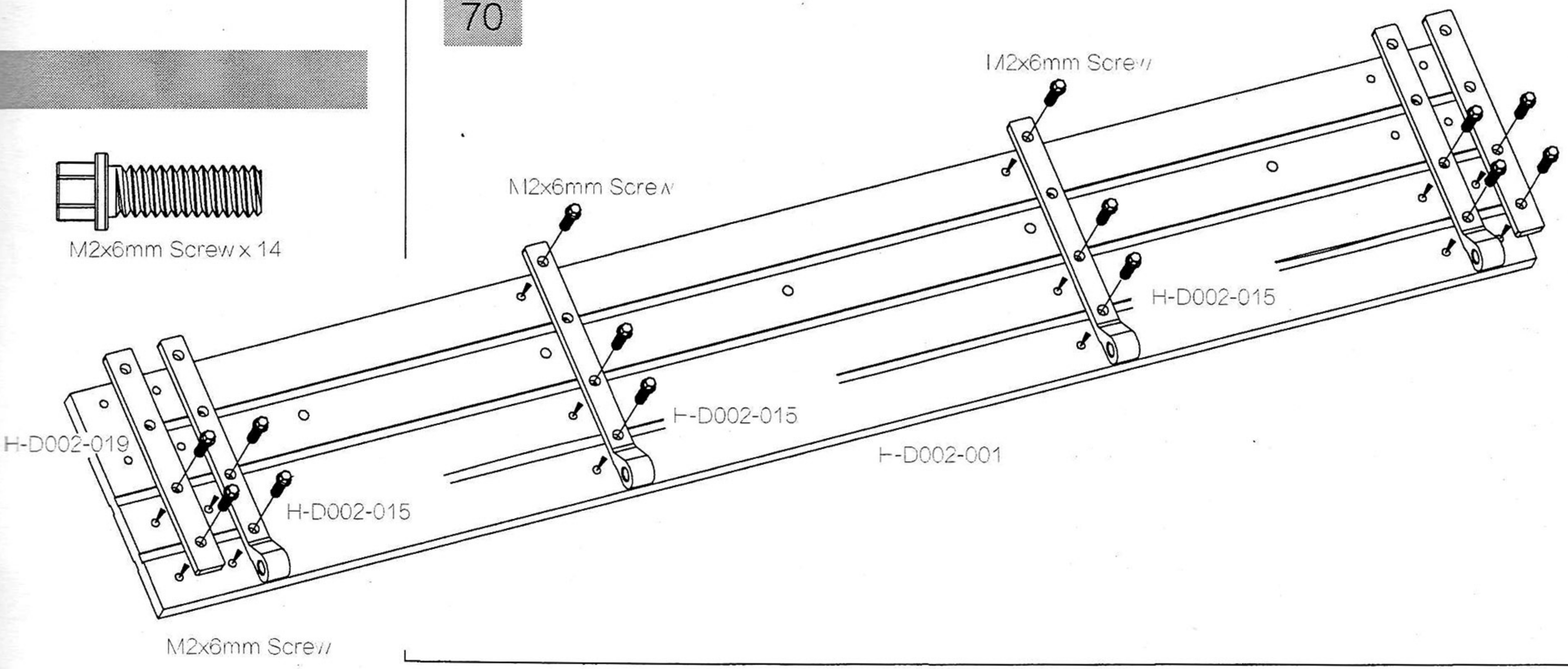


70

M2x6mm Screw

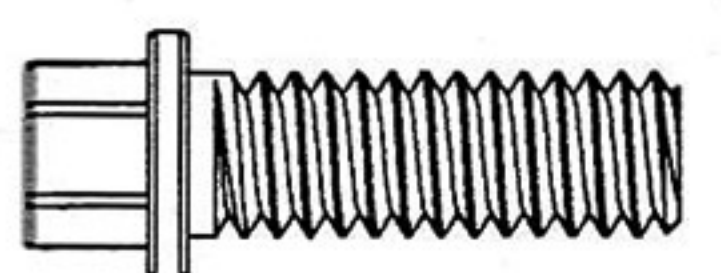


M2x6mm Screw x 14

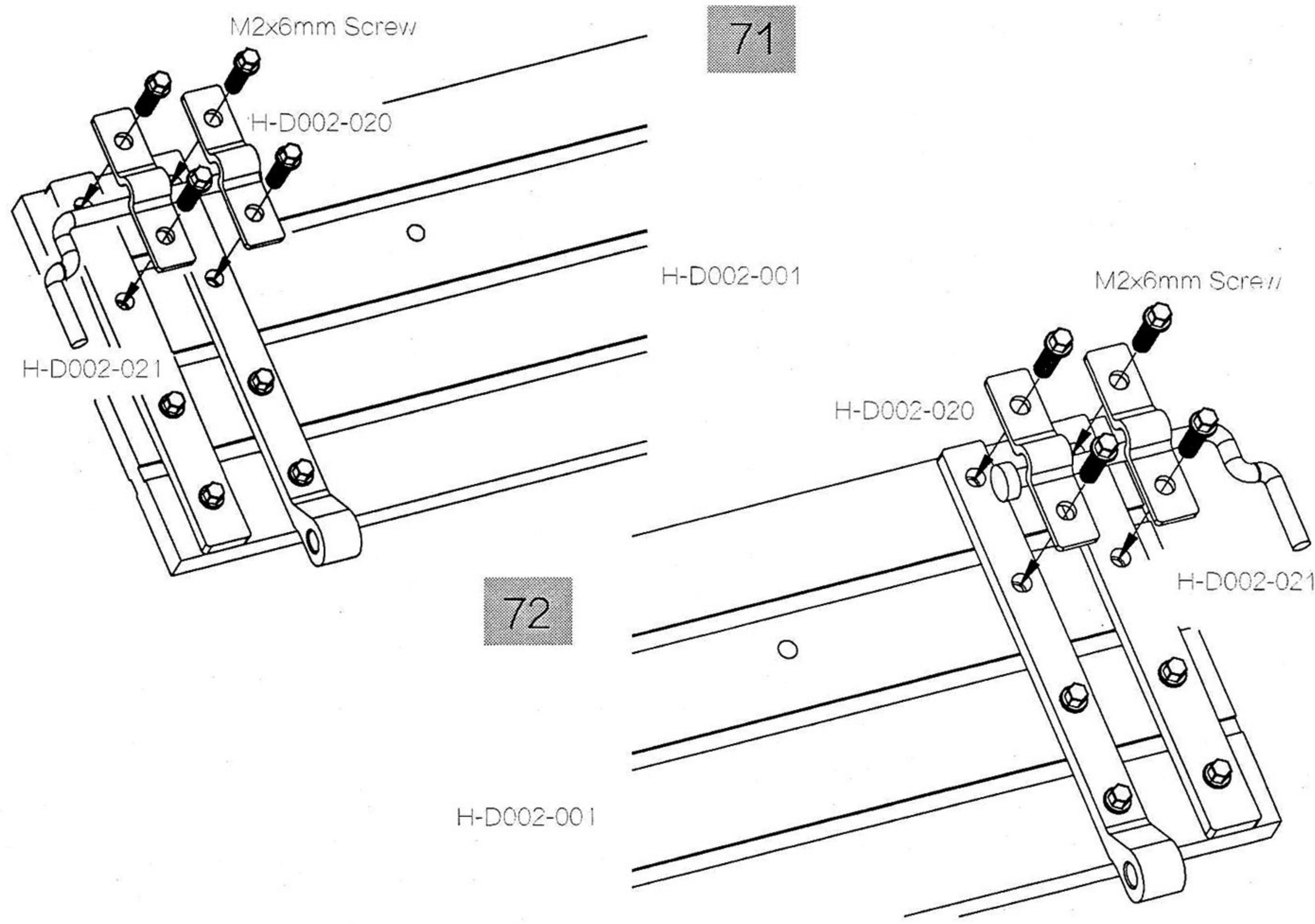


M2x6mm Screw

71

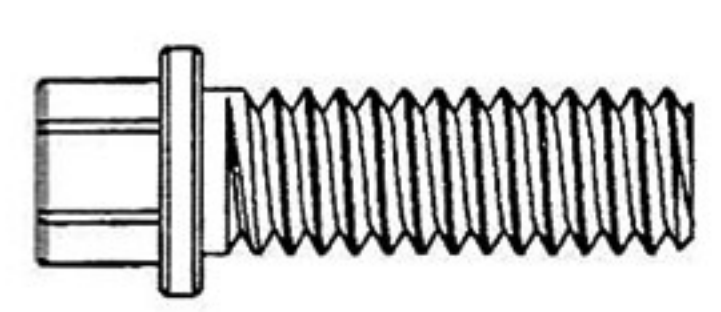


M2x6mm Screw x 4



M2x6mm Screw

72



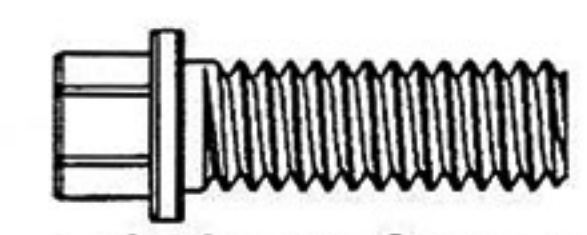
M2x6mm Screw x 4

H-D002-001

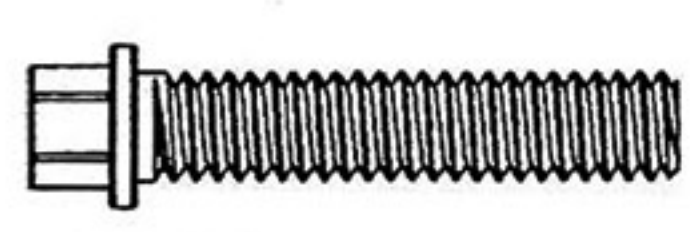
H-D002-020

H-D002-021

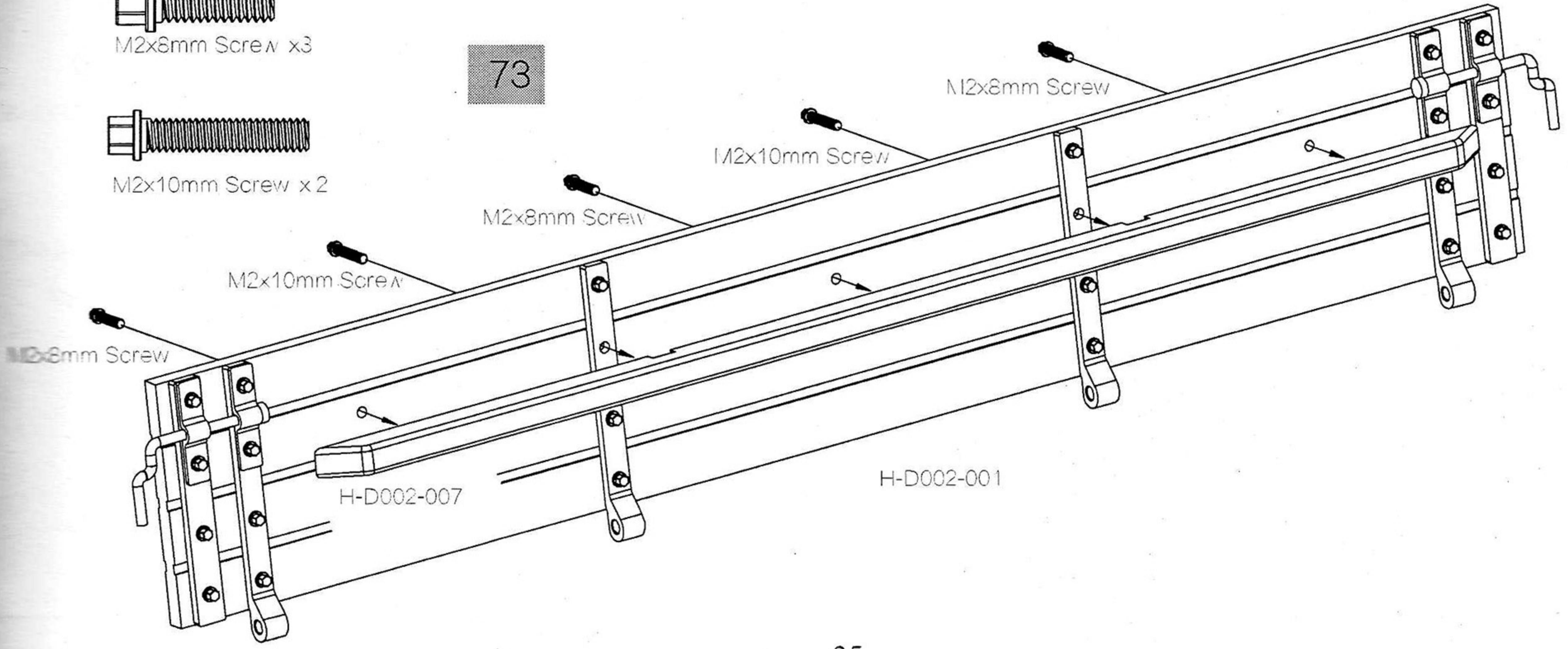
73



M2x8mm Screw x 3



M2x10mm Screw x 2



M2x8mm Screw

M2x10mm Screw

M2x8mm Screw

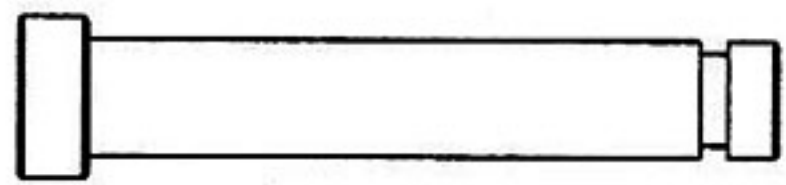
M2x10mm Screw

M2x8mm Screw

H-D002-007

H-D002-001

74

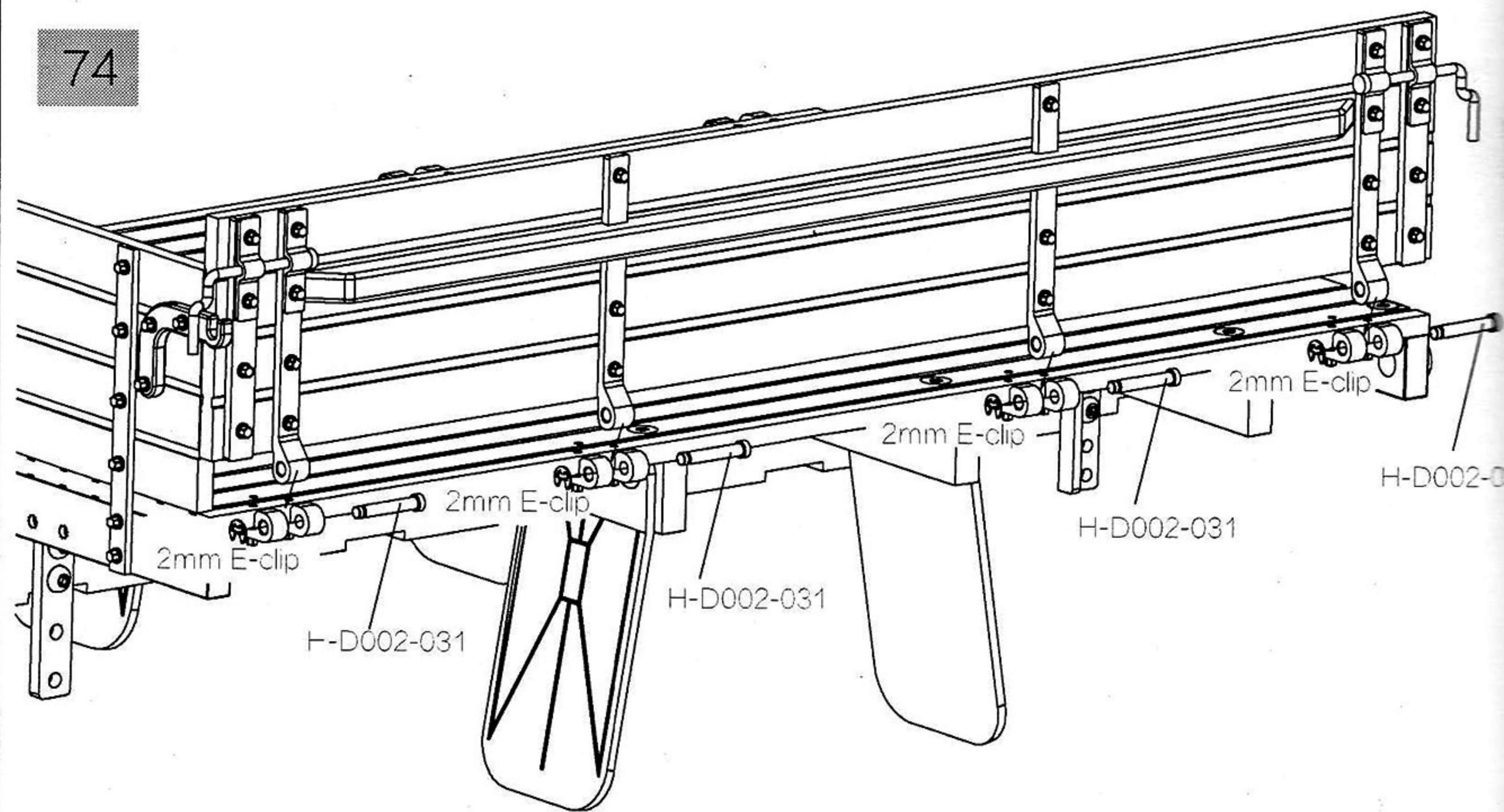


H-D002-031 x 4

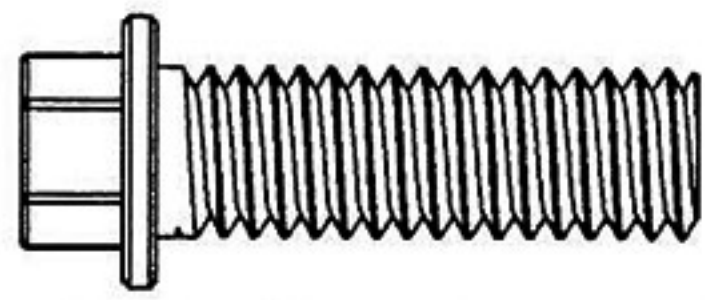


2mm E-clip x 4

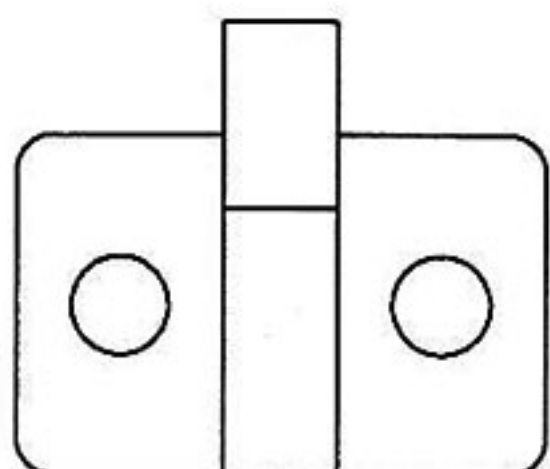
74



75

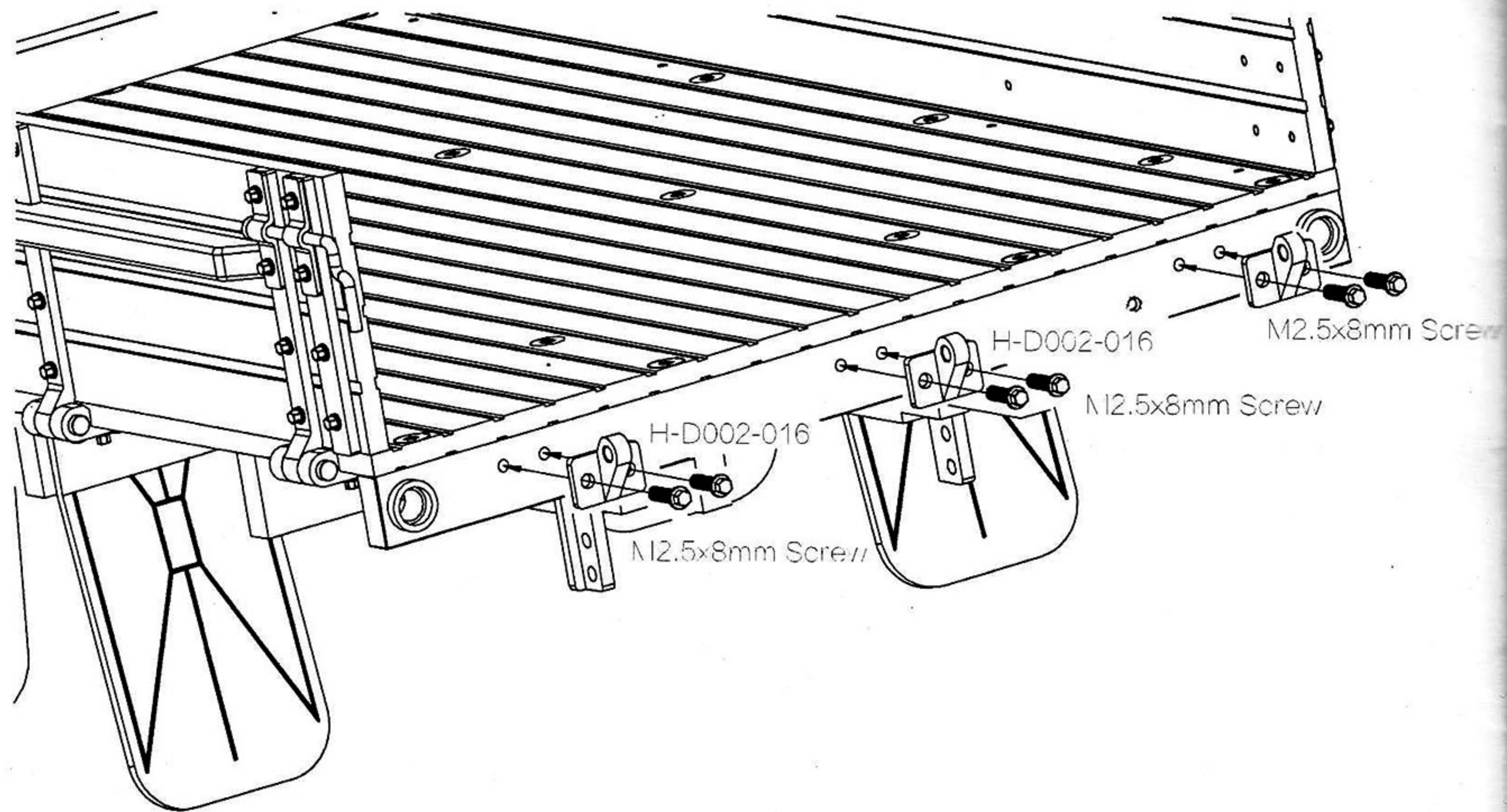


M2.5x3mm Screw // x6

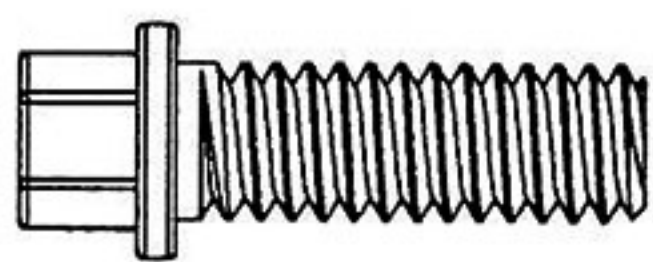


H-D002-016

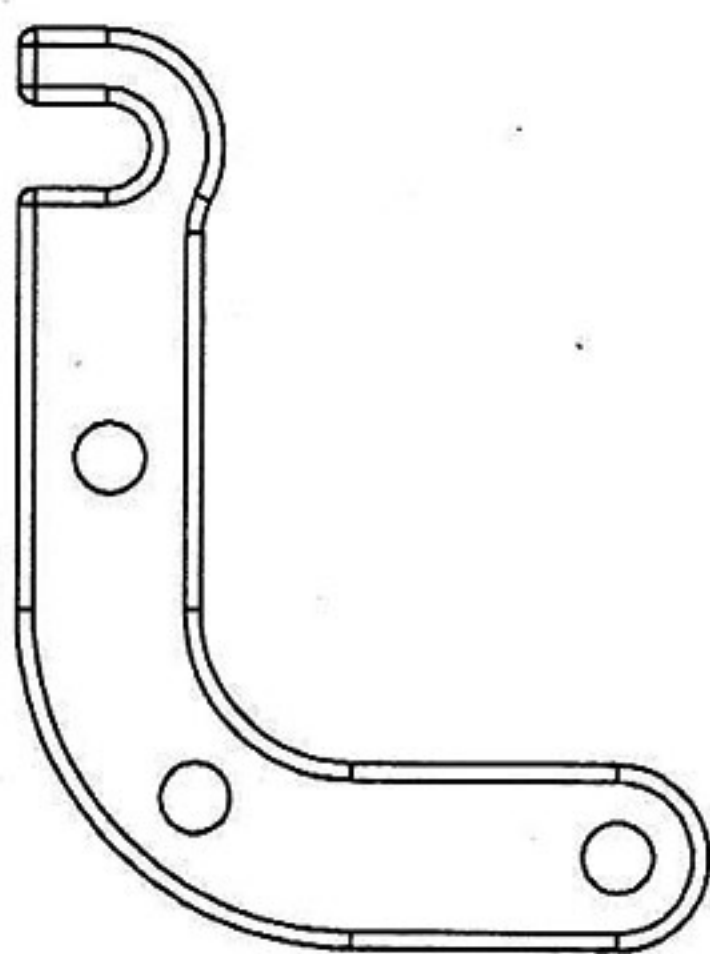
75



76



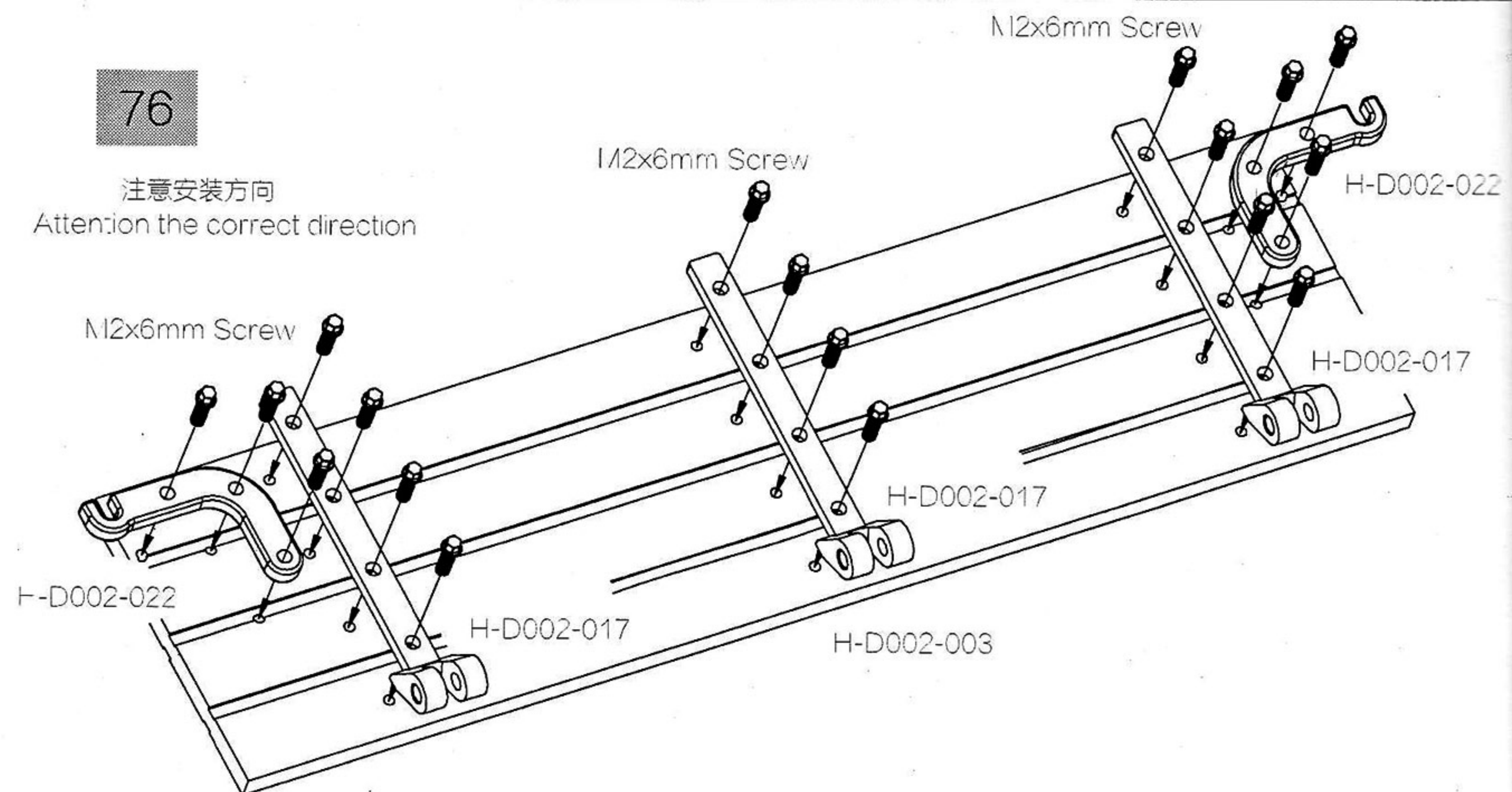
M2x6mm Screw x 18

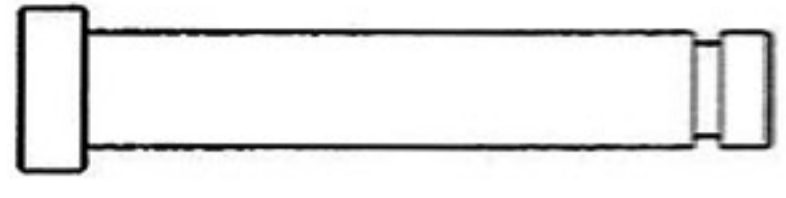


H-D002-022 x 2

76

注意安装方向
Attention the correct direction

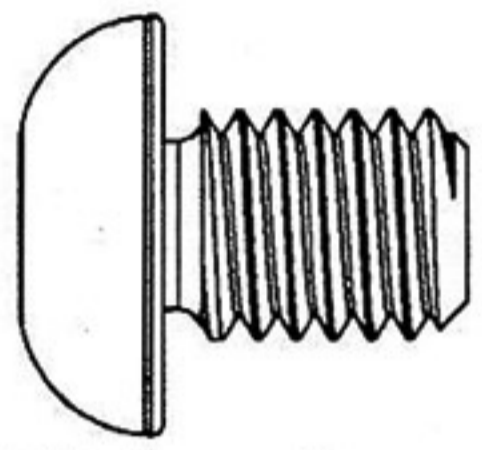
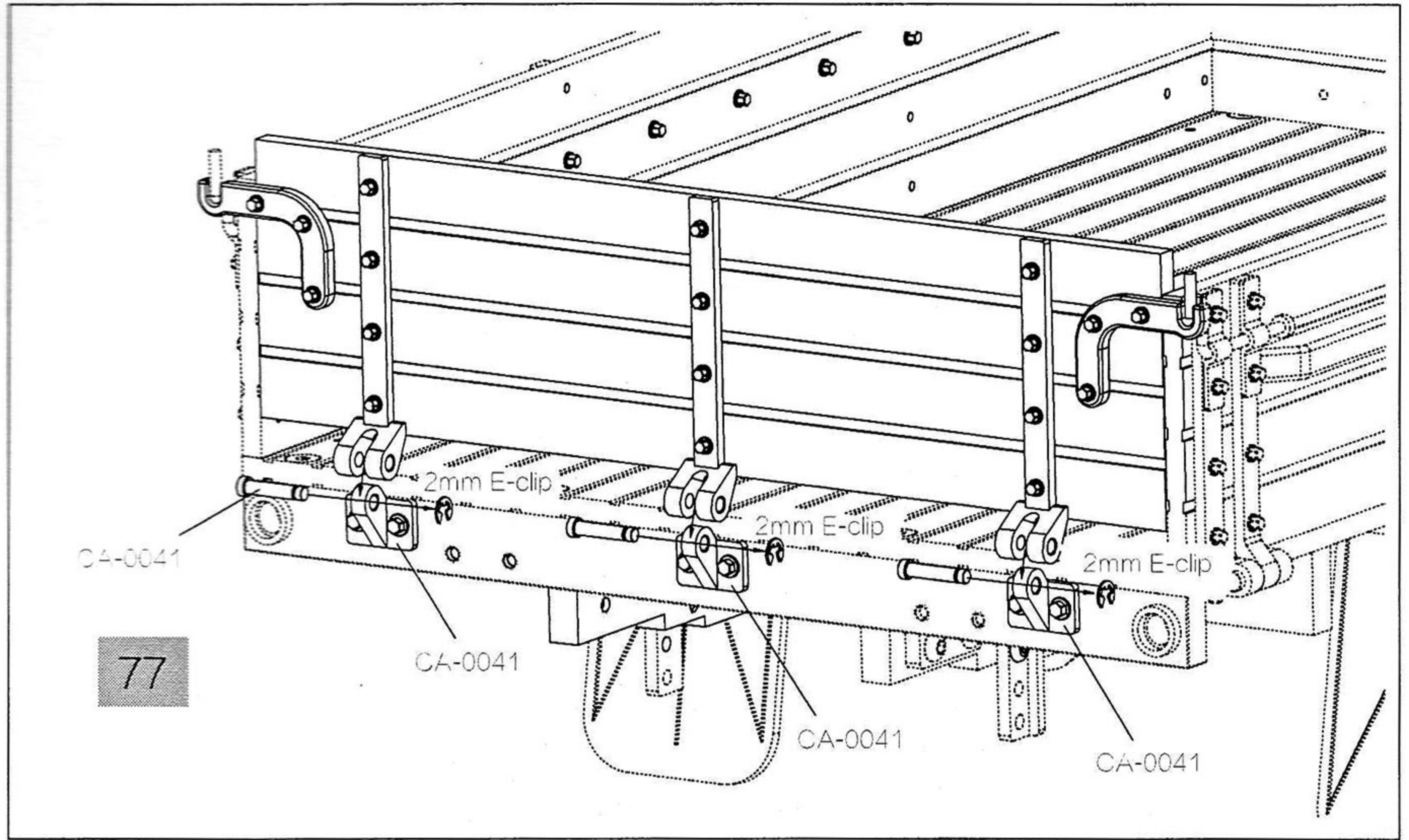




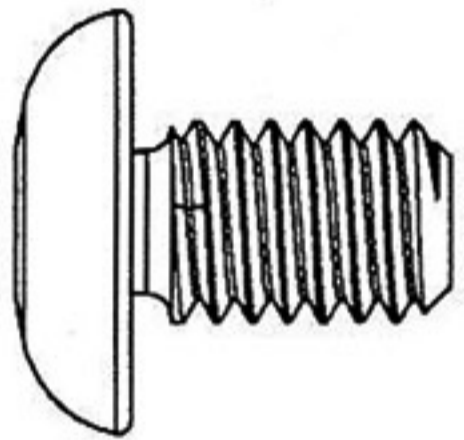
CA-0041 x 3



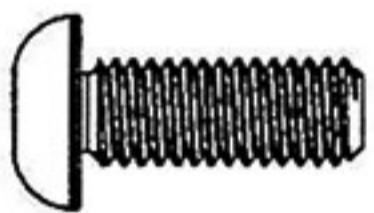
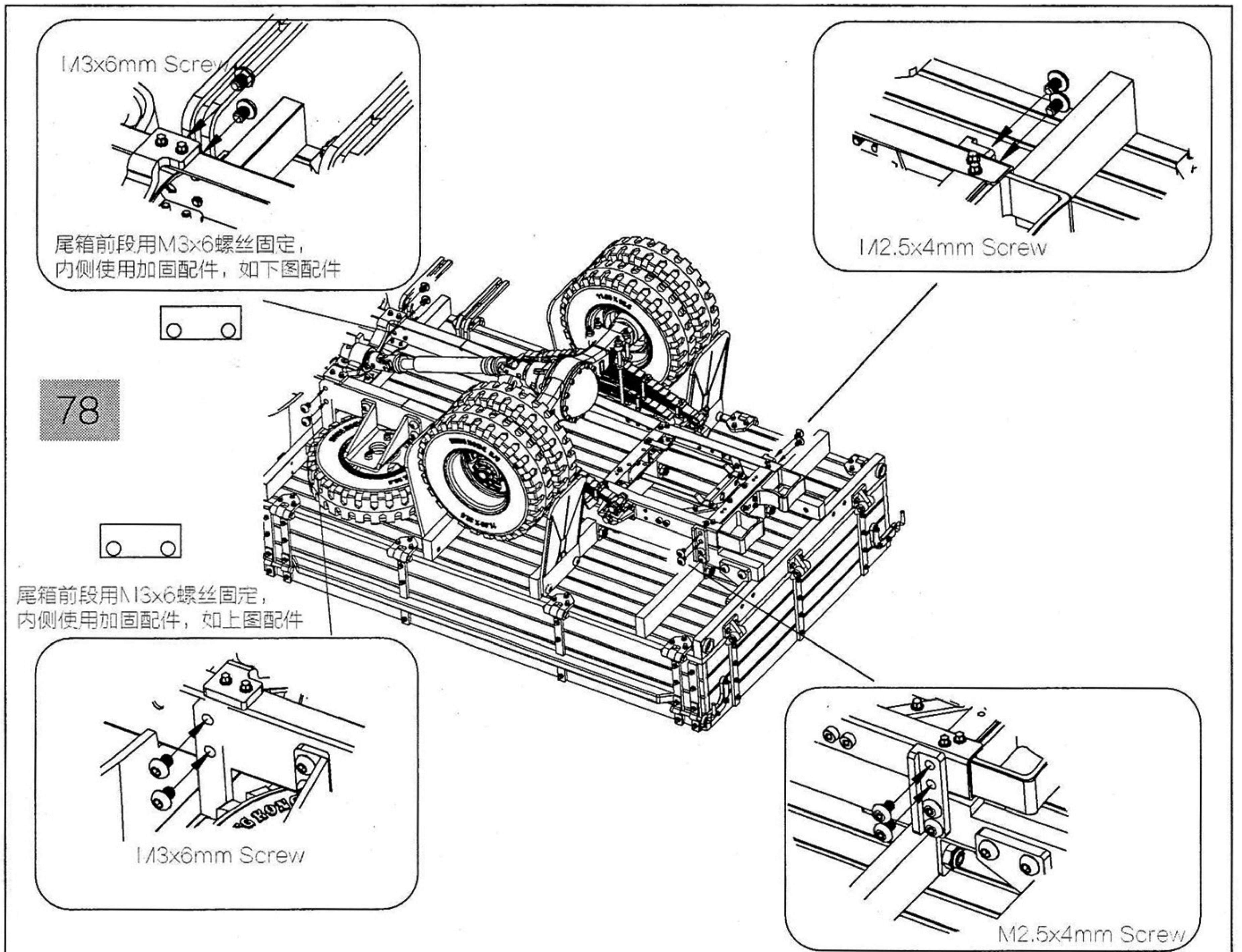
2mm E-clip x 3



M3x6mm Screw x 4



M2.5x4mm Screw // x 4



M3x8mm Screw x 4

