

TB-05 PRO CHASSIS SETTING SHEET

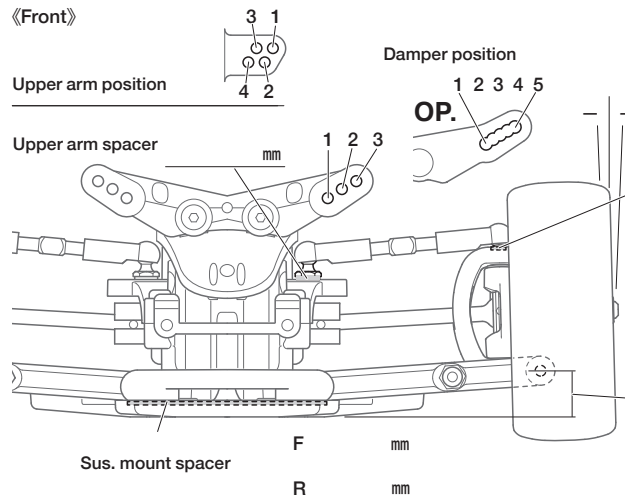
Ver 1.00

Name _____ Date _____ Air temp. _____ Humidity _____

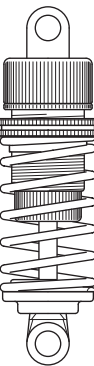
Track _____ Track condition _____ Track temp. _____

- A** Front motor layout
 B Rear motor layout

《Front》

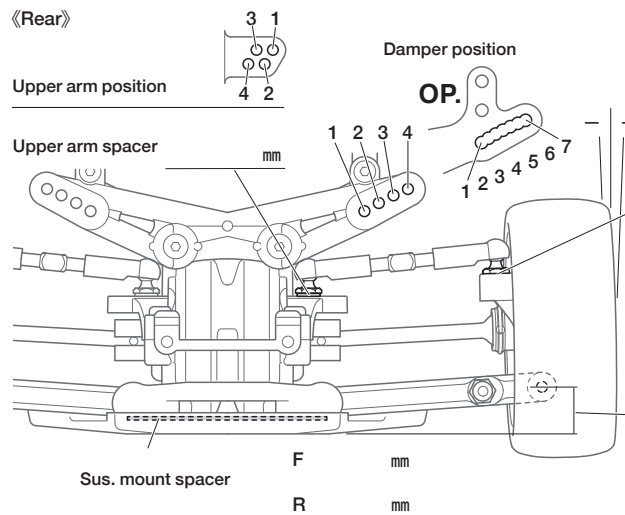


Front drive _____
 Differential gear oil # _____
 Upper arm spacer _____ mm
 Hub carrier _____ °
 Camber angle _____ °
 Ground clearance _____ mm
 Sus. pin height _____ mm
 Rebound stroke _____ mm

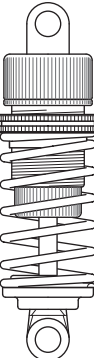
Stabilizer _____
 Wheel hub + spacer _____ mm
 Damper type _____
 Piston _____ 穴
hole(s)
 Oil _____ 番

 Spring _____

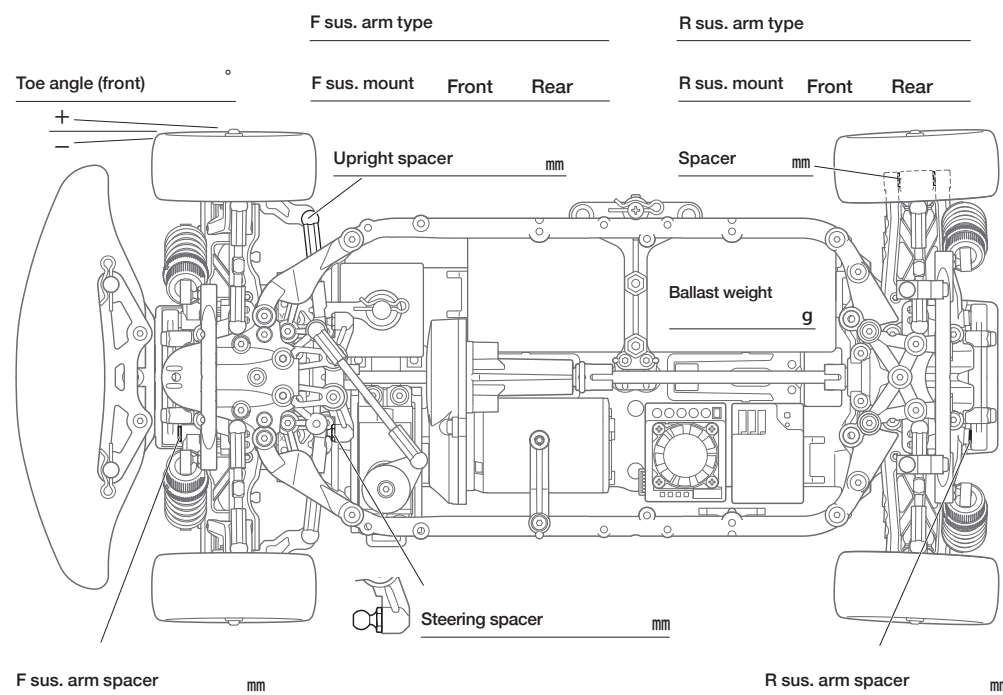
《Rear》



Rear drive _____
 Differential gear oil # _____
 Upper arm spacer _____ mm
 Rear upright 416 / 418 / 419X _____ °
 Camber angle _____ °
 Ground clearance _____ mm
 Sus. pin height _____ mm
 Rebound stroke _____ mm

Stabilizer _____
 Wheel hub + spacer _____ mm
 Damper type _____
 Piston _____ 穴
hole(s)
 Oil _____ 番

 Spring _____



Motor _____
 Spur gear T Pinion gear T _____
 Battery _____
 Body _____
 Wing _____
 Tire _____
 Wheel Offset _____
 Tire insert _____ mm
 Best lap _____
 Memo _____