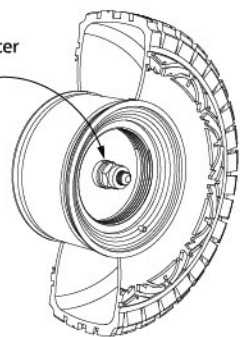


**1.55 YOTA LC CLASSIC
Rear Beadlock Wheels**

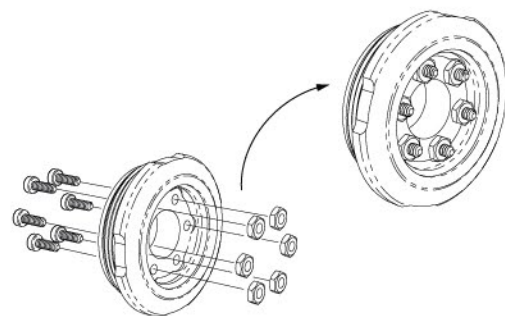
INSTALLATION INSTRUCTION

Option 2

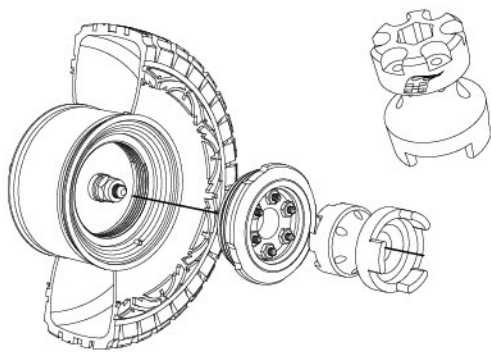
5x8x2.5 Spacer



1. Use the bigger spacer (5x8x2.5) to space out the center wheel nut for a more realistic look.



2. Secure the six screws with the nuts provided to replicate wheel nuts.



3. Using the multi tool screw in the center hub cap. Make sure its tightened and secure by putting a driver that fits through the hole for a bit more leverage. (Note do not over tight as this might damage the parts)



Finished product for Option 2.

WWW.BOOMRACINGRC.COM

**1.55 YOTA LC CLASSIC
Rear Beadlock Wheels**

- 2 x 1.55 YOTA LC CLASSIC Rear Beadlock Wheel
- 2 x 3mm Offset Widener
- 10 x M2.5x10 Flat Head Screw
- 12 x M2x6 Socket Head Cap Screw
- 12 x M2 Nut
- 2 x M4 Wheel Nut
- 2 x 5x8x2.5 Spacer
- 2 x 5x8x1 Spacer
- 2 x Spring Washer
- 1 x Multi Tool

ENJOY BEING A BADASS



<https://www.facebook.com/boomracingrc>



#boomracing

www.boomracingrc.com

YOUR R/C HOP-UPS SPECIALIST

What is a good hop-up? For most people a good hop-up is simply a matter of performance.

We believe a good hop-up is about design and improvement. It's about making a conscious effort to better the R/C hobby industry and the people we work with every day. We design and develop all of Boom Racing's R/C hop-ups to ensure you get the most up-to-date and unique products available.

With our passion for R/C cars, we are constantly updating and upgrading our parts to ensure our supporters are enthusiastic and excited for what's to come next.

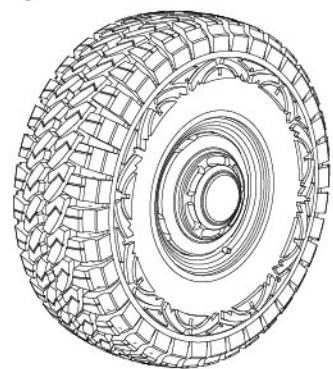
Copyright © Boom Racing Co. Ltd

**1.55 YOTA LC CLASSIC
Rear Beadlock Wheels**

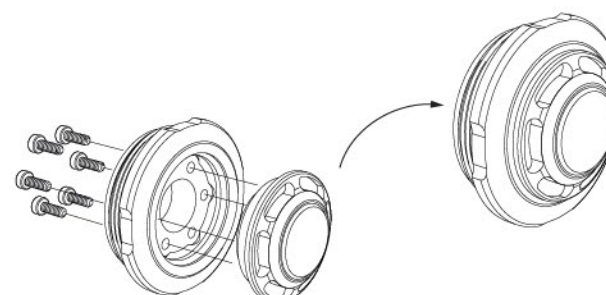
INSTALLATION INSTRUCTION

Option 1

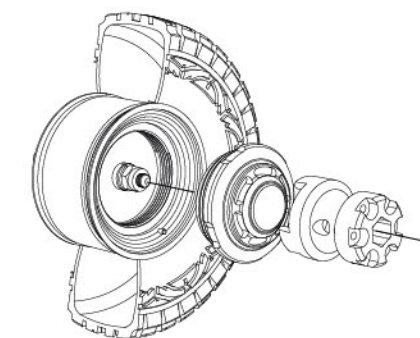
Option 2



There are two options of style for this wheel you can choose from.



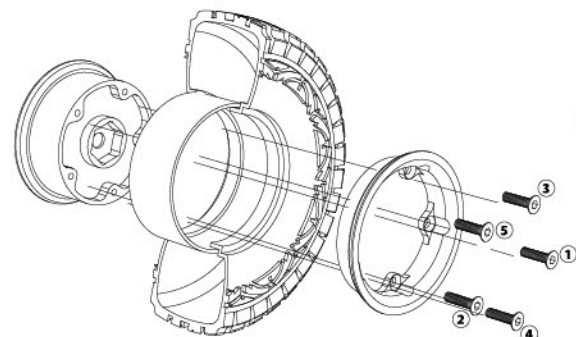
2. Finish installing the remaining screws to attach the front face.



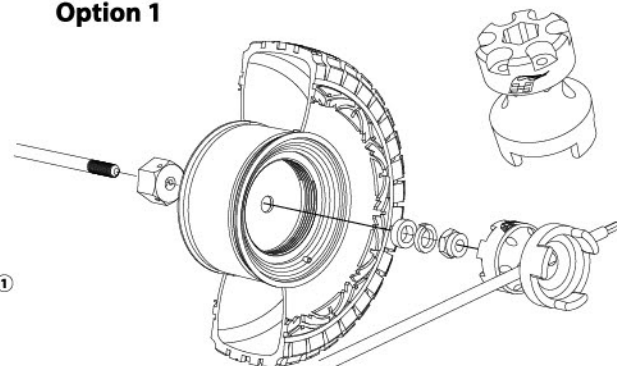
3. Using the multi tool screw in the center hub cap.

General Assembly

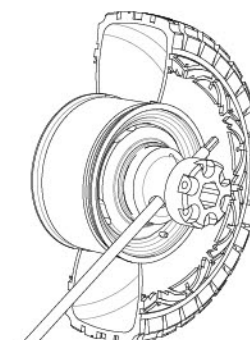
Option 1



Sandwich the tire with the center beadlock ring installed in between the front and back half of the wheel. Make sure you line up the five screw holes when placing the wheel together. Note: do not tighten one screw down in one go. Tighten each screw down bit by bit in the sequence provided.

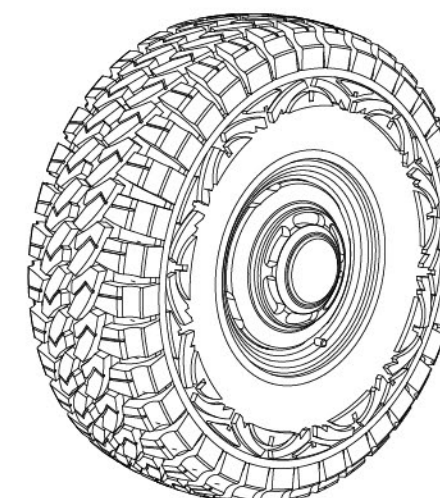


1. For the first option, use thin spacer (5x8x1) and spring washer in between the nut and the wheel to fasten it, with multi tool provided which is also a wheel hex wrench.



4. Make sure it is tightened and secure by putting a driver that fits through the hole for a bit more leverage. (Note do not over tight as this might damage the parts)

Attention: after use in muddy conditions please wash wheels before removing center hub cap to prevent grit and sand from damaging the threads.



Finished product for Option 1.

WWW.BOOMRACINGRC.COM